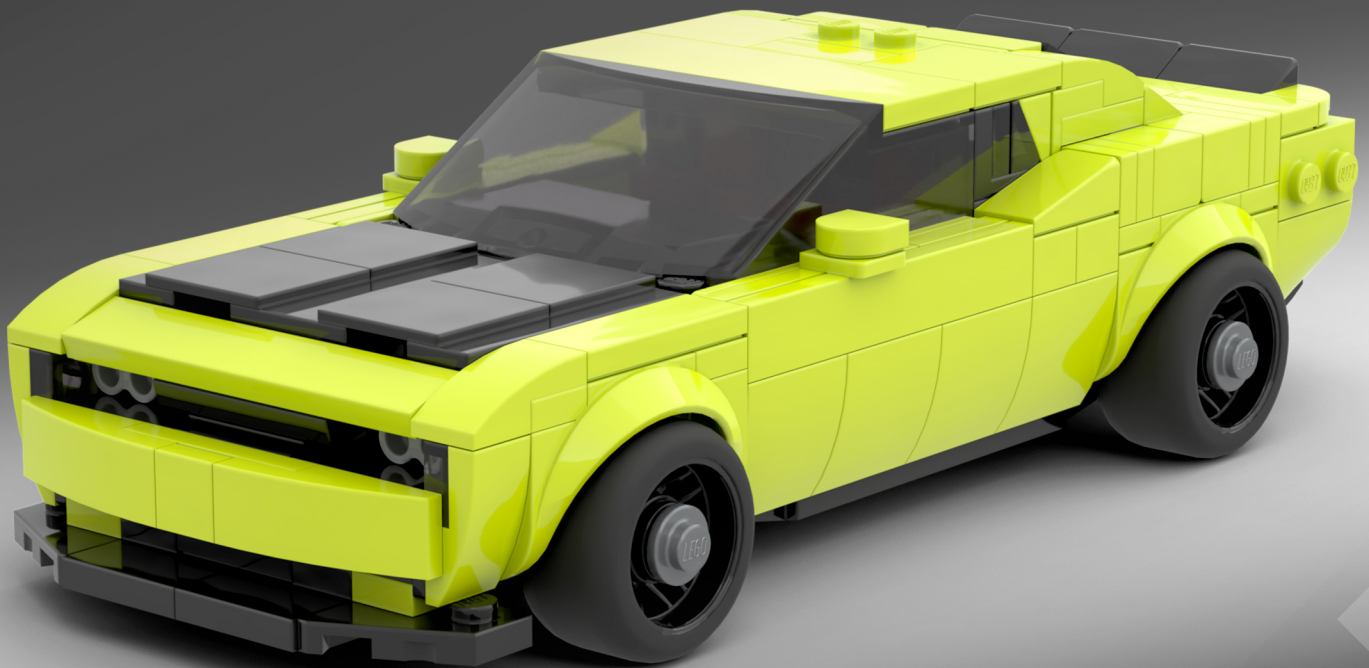




Dodge Challenger SRT MOD
Building Instructions

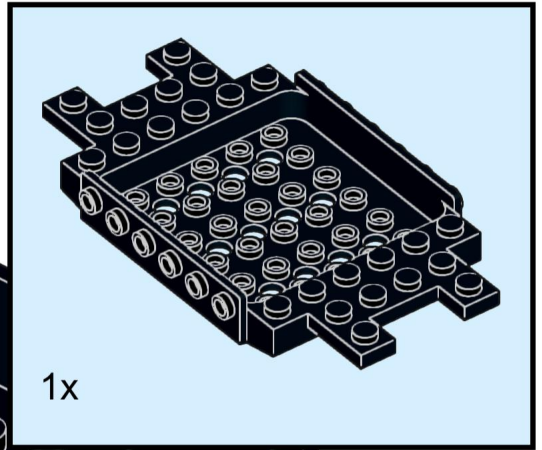
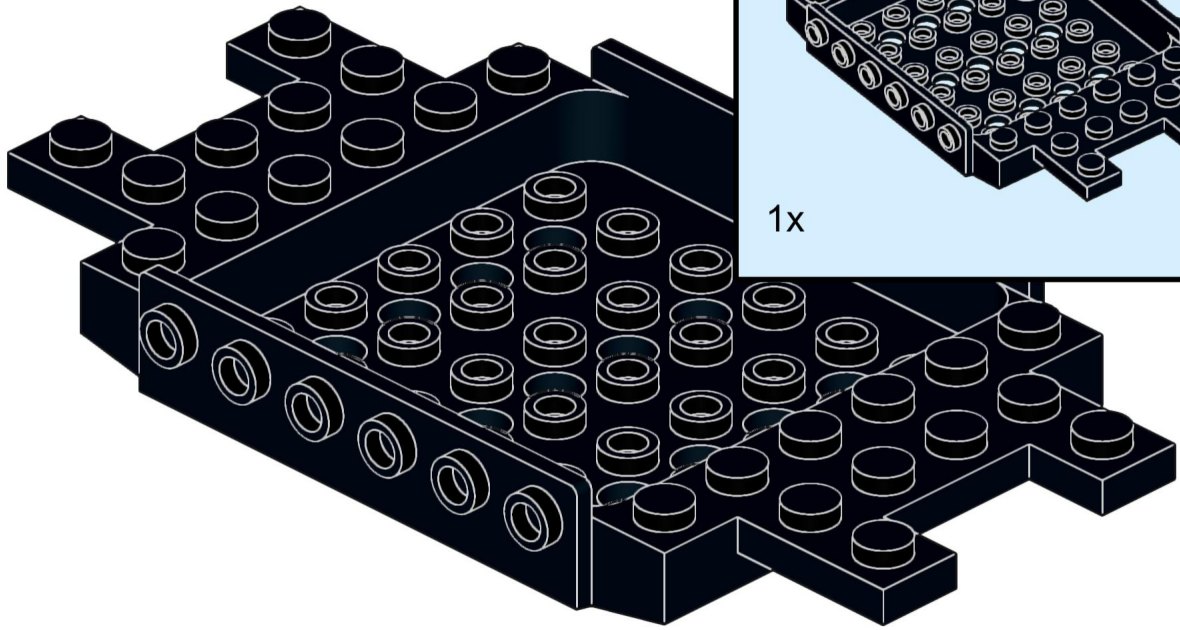


IF YOU HAVE ANY QUESTIONS:

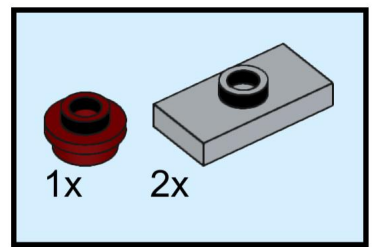
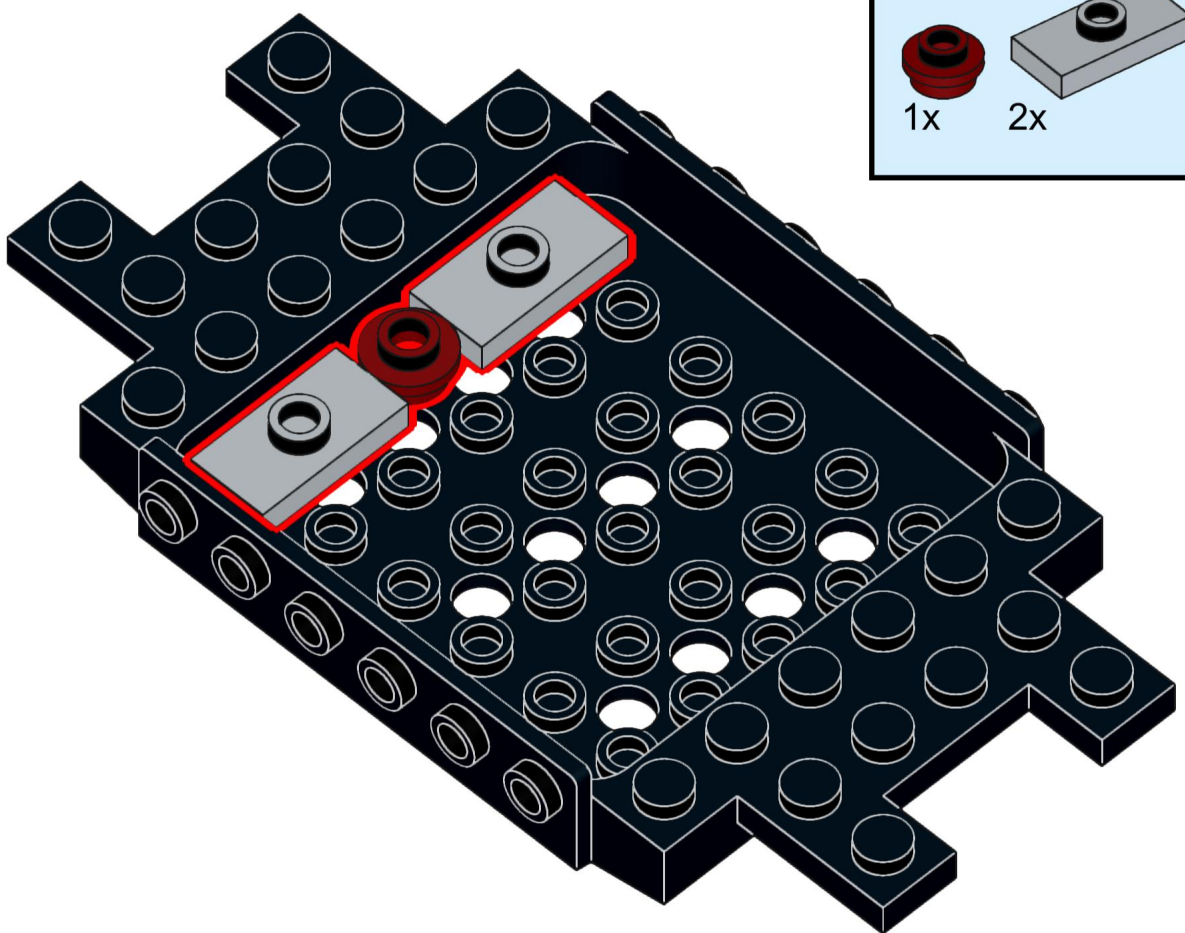
© [thegbrix](#) [www.facebook.com/thegbrix/](#) [✉ thegbrix@gmail.com](mailto:thegbrix@gmail.com)

The G Brix®
2025

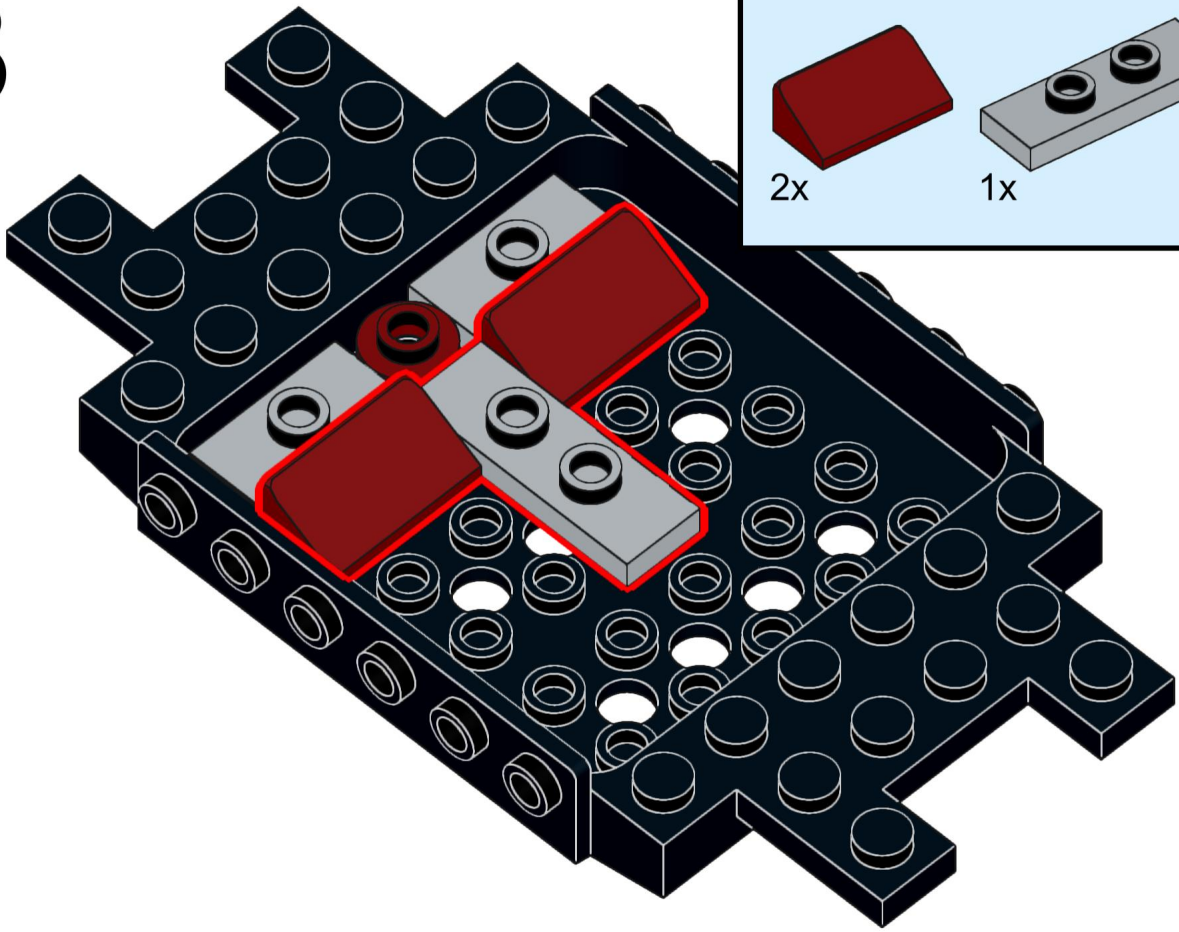
1



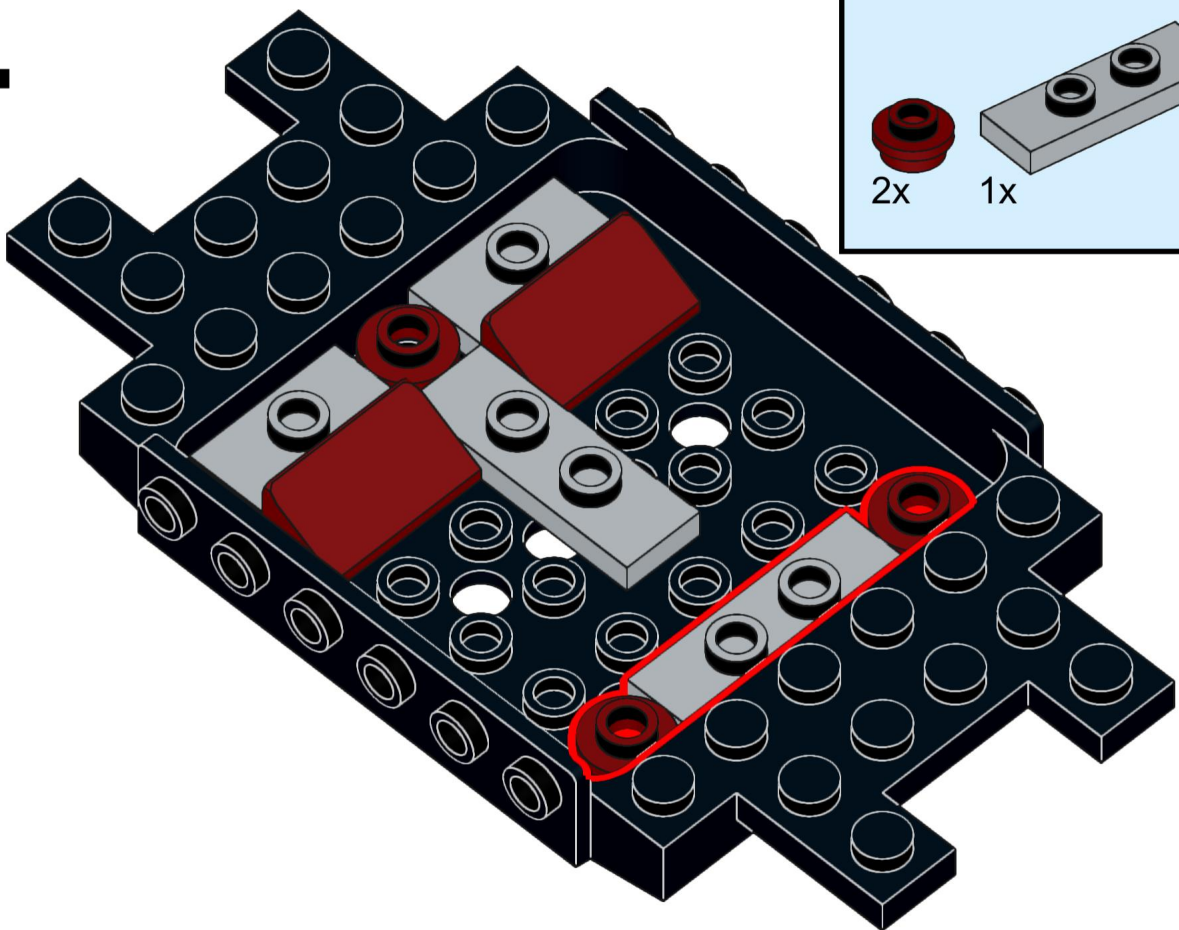
2



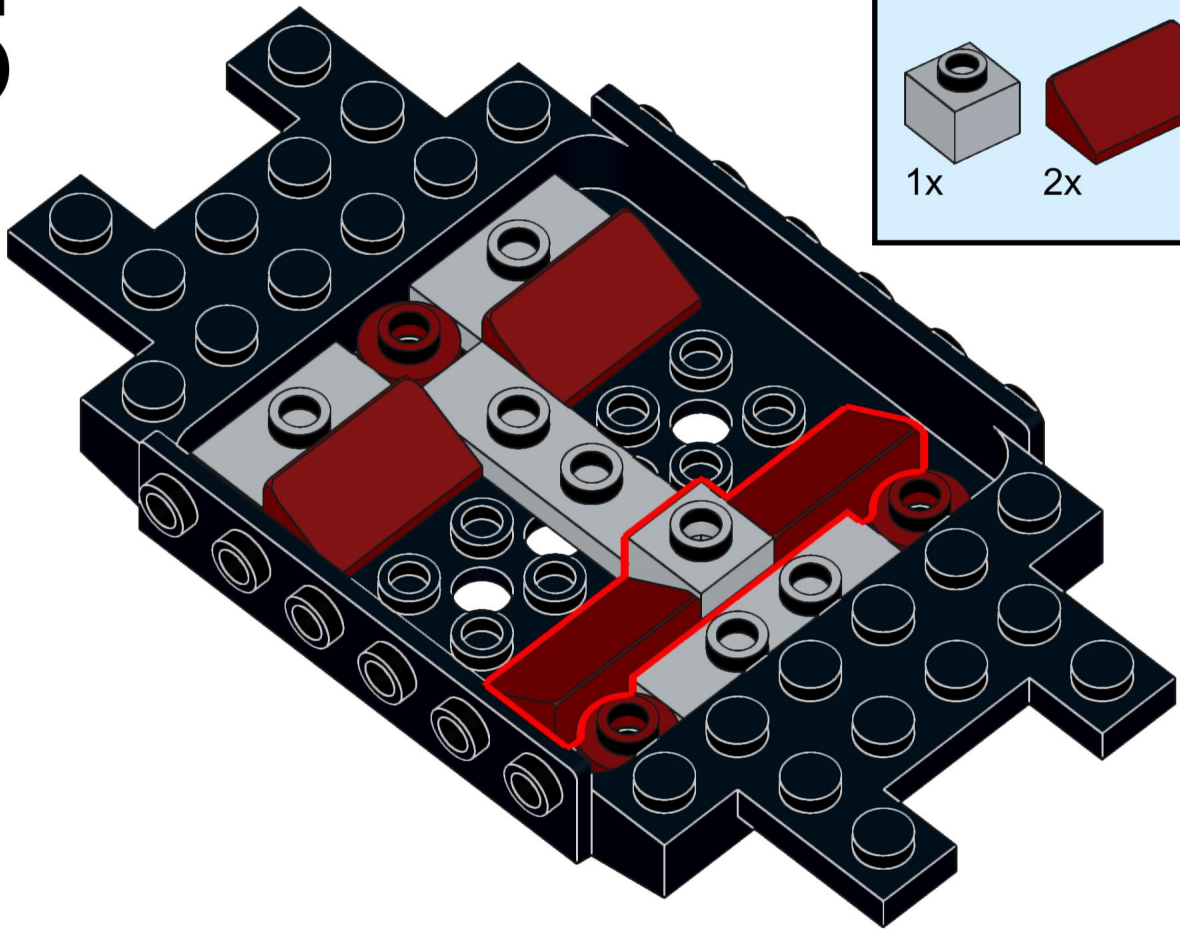
3



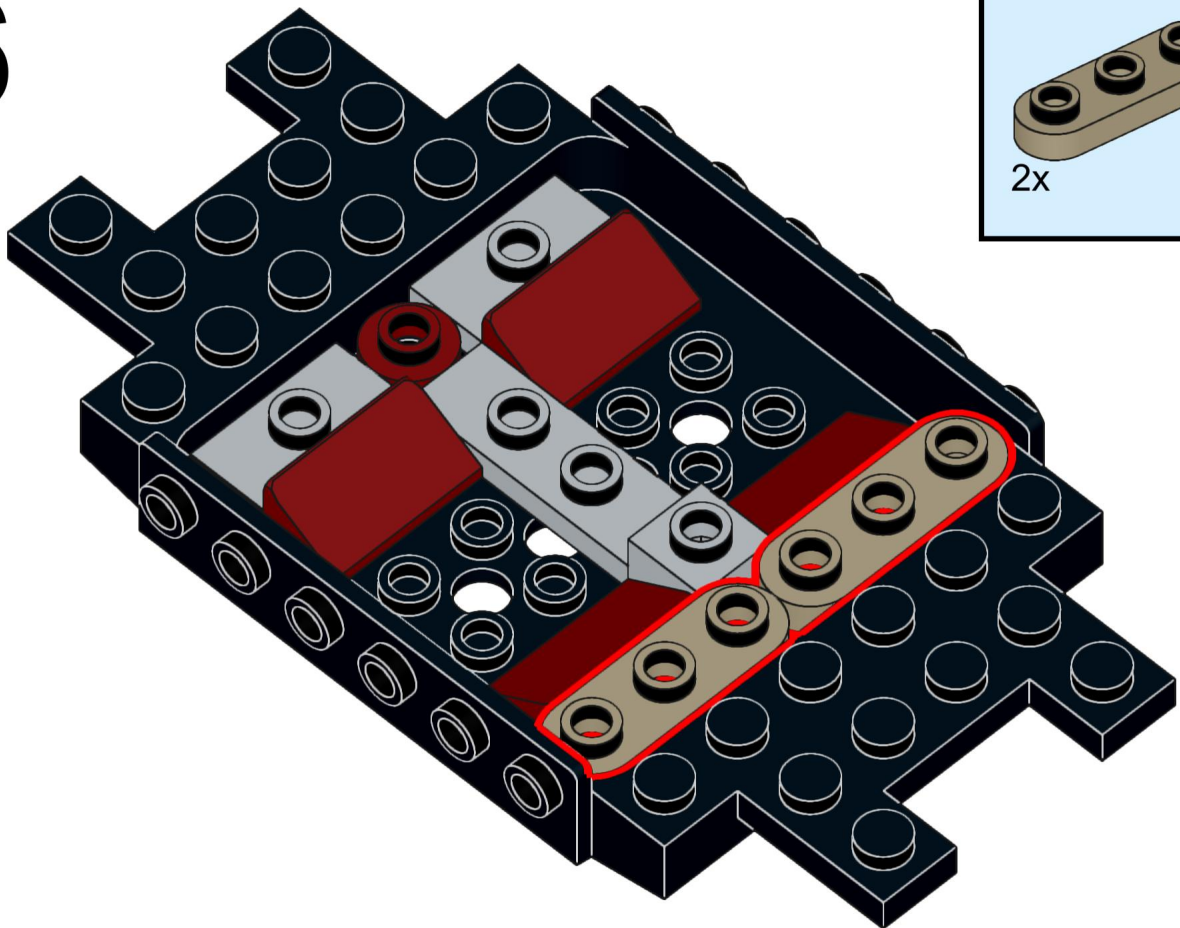
4



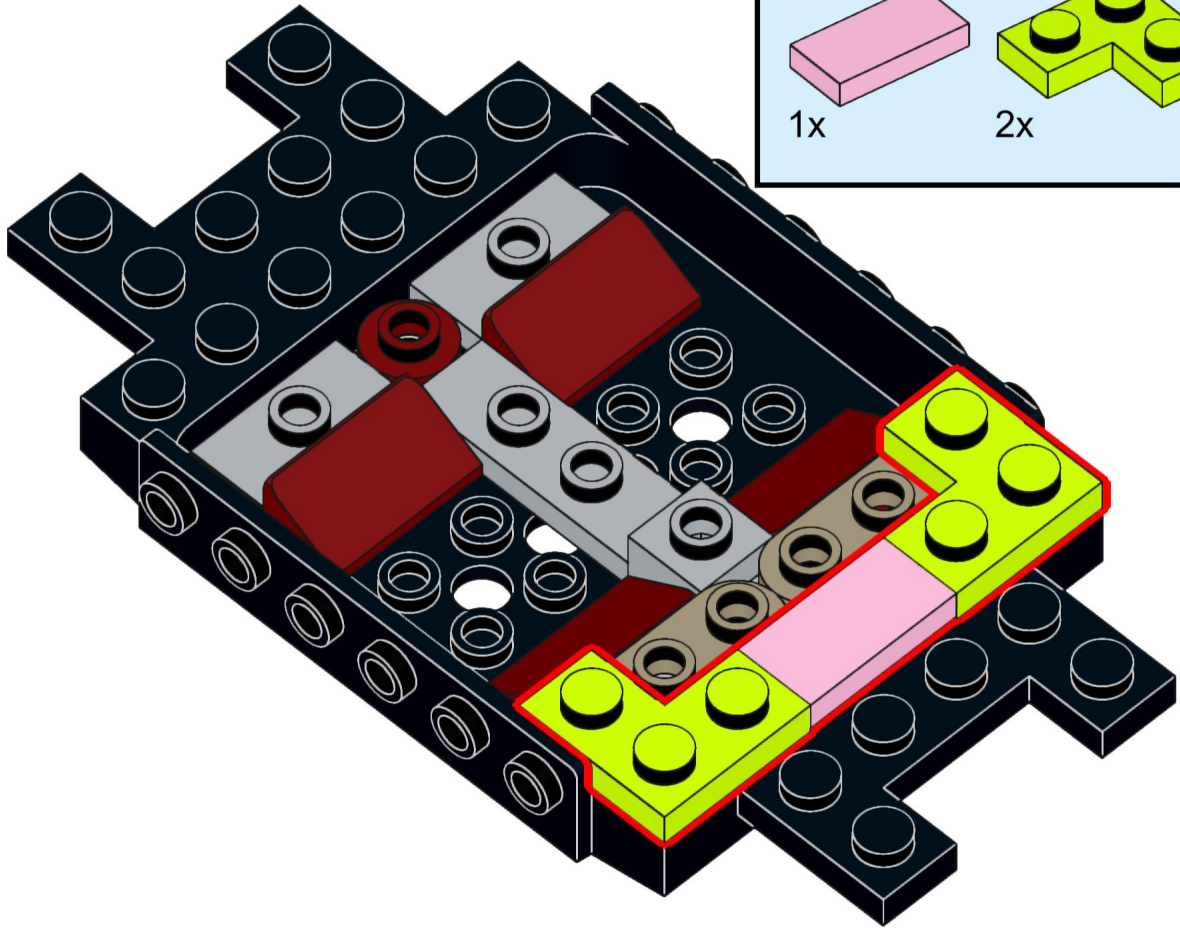
5



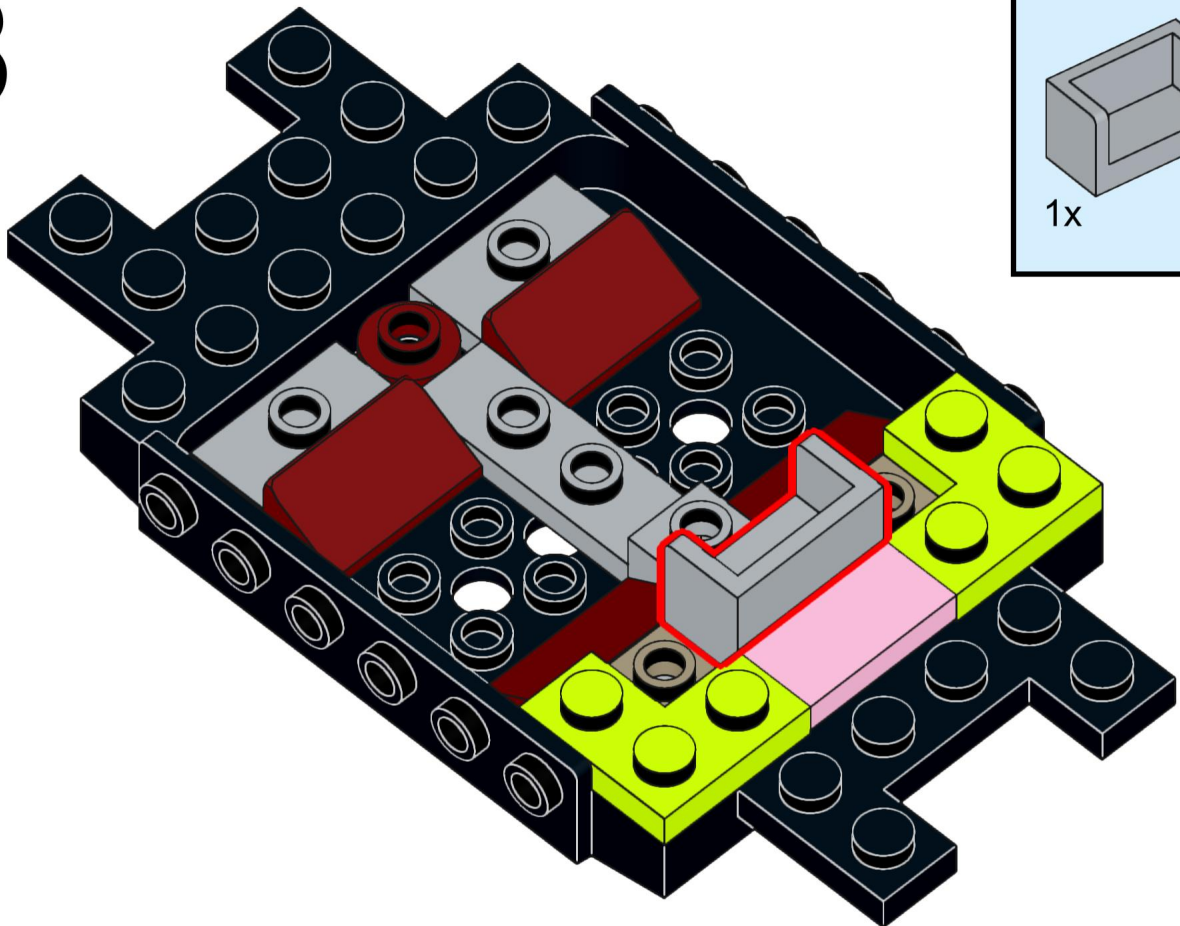
6



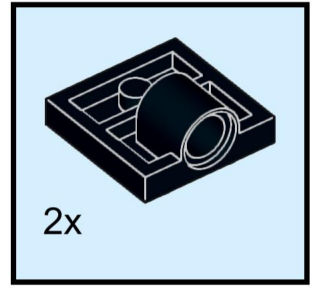
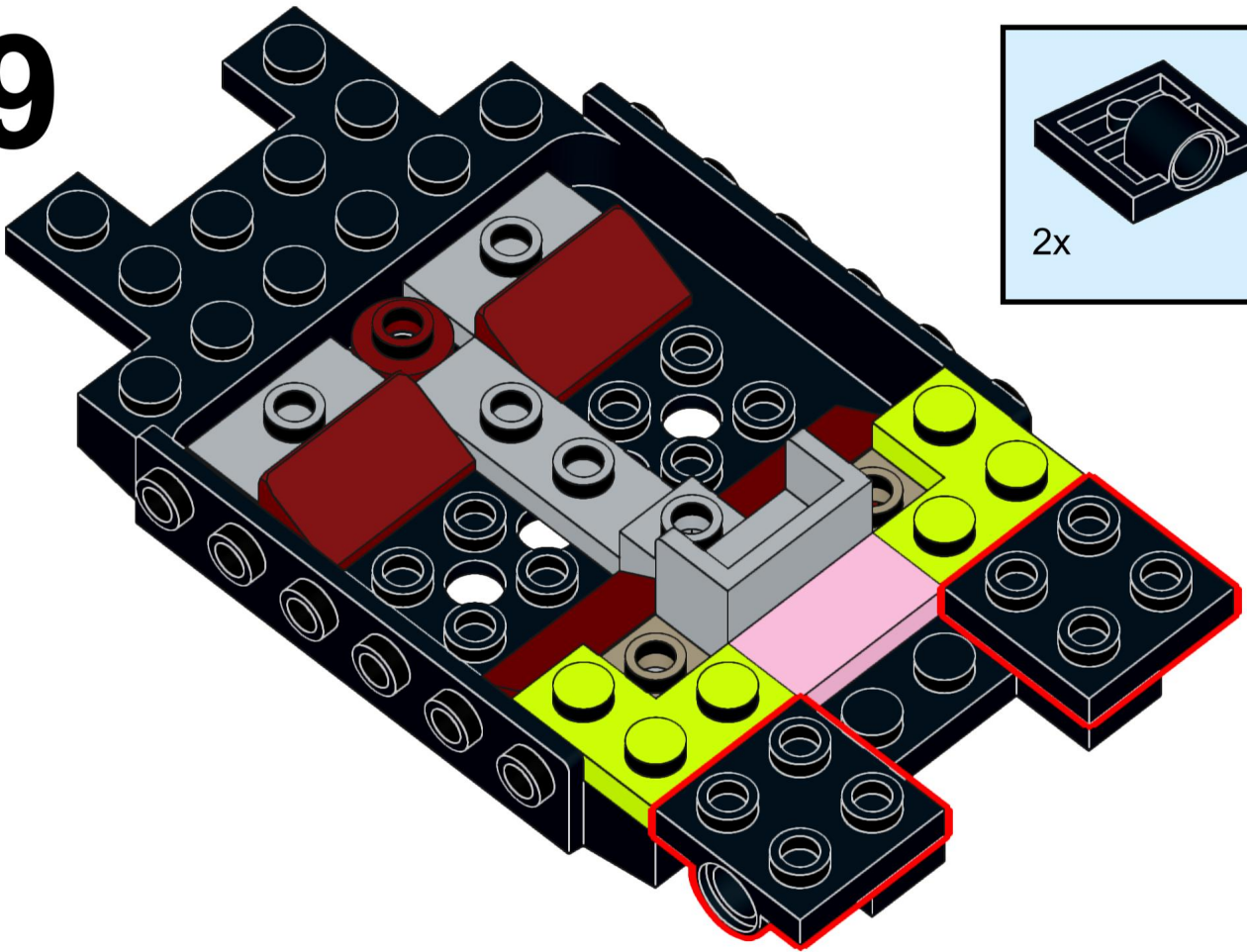
7



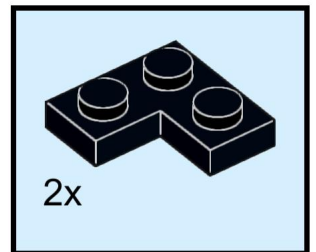
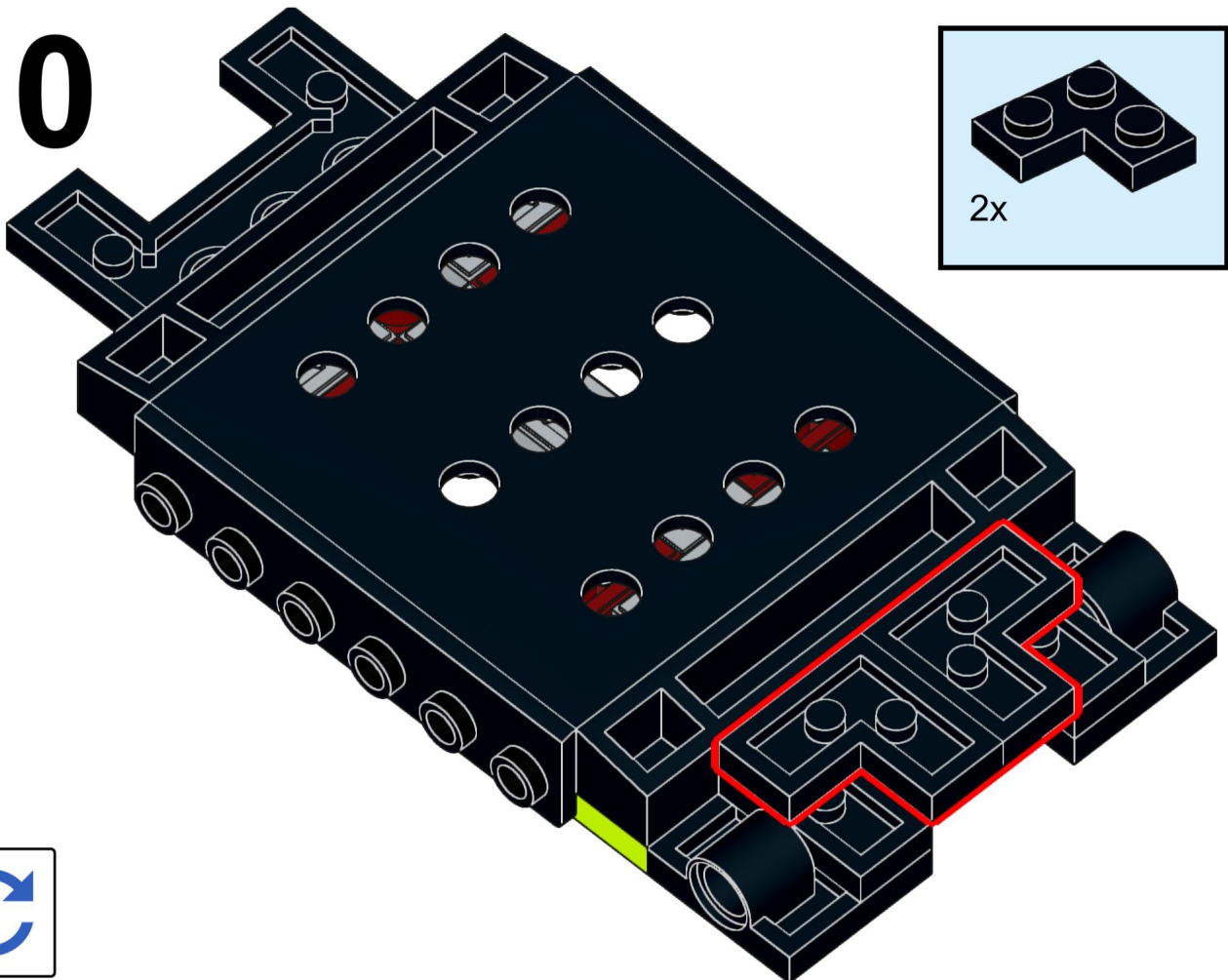
8



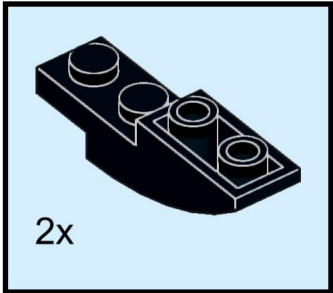
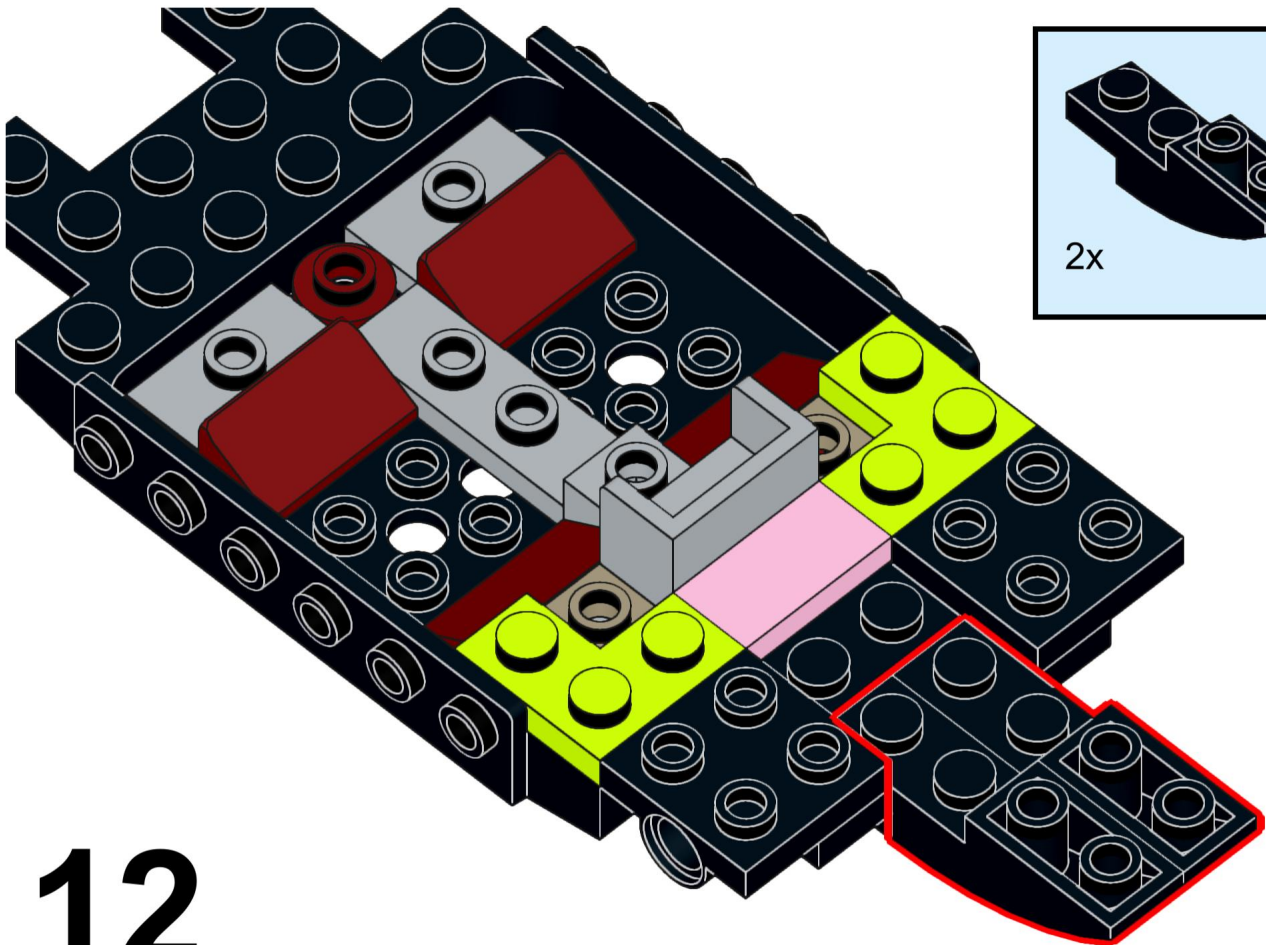
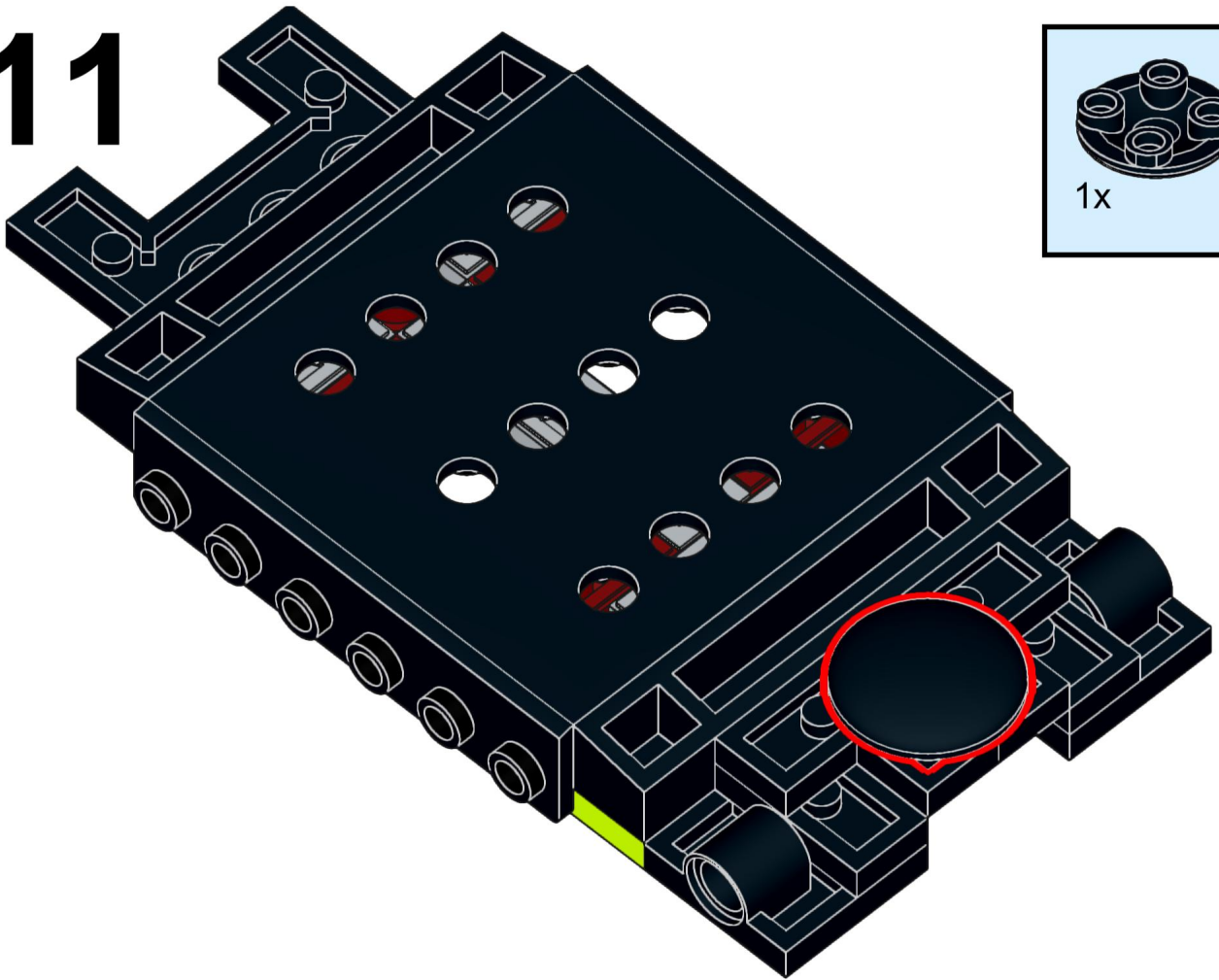
9



10

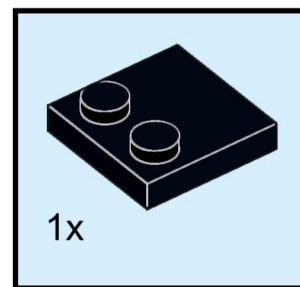
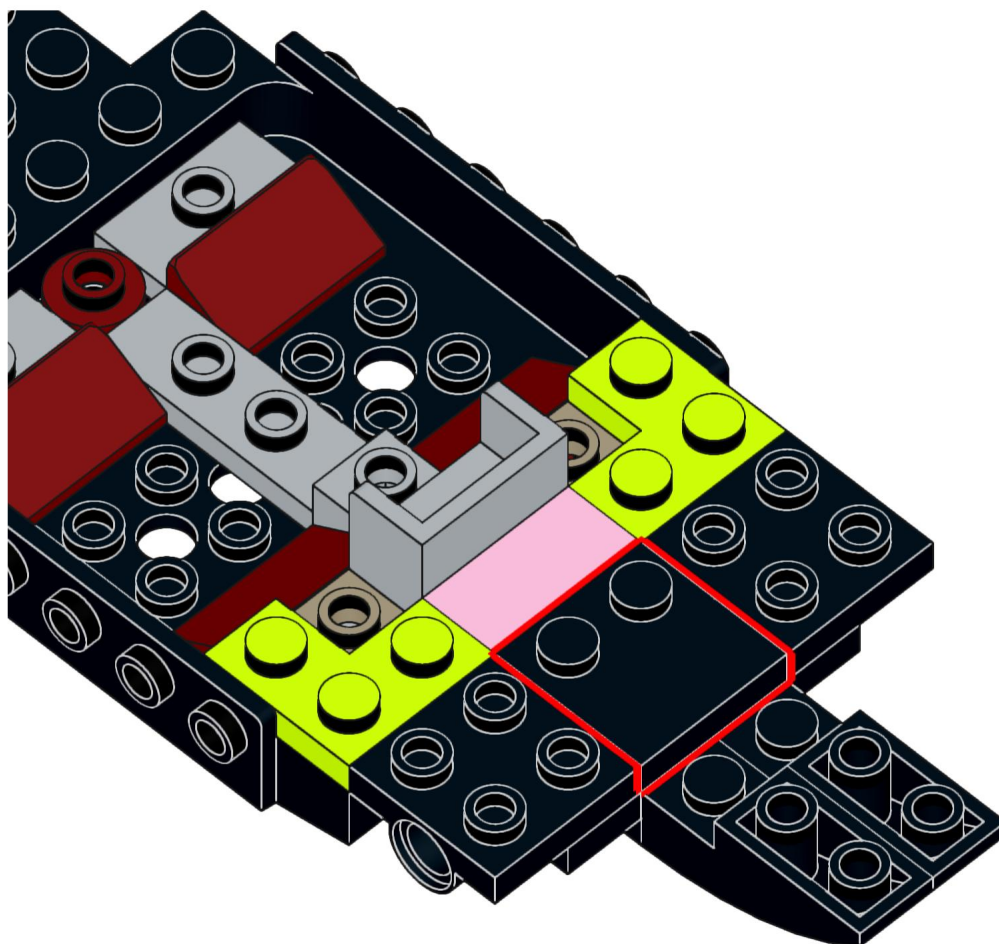


11

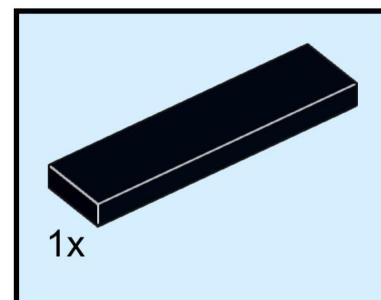
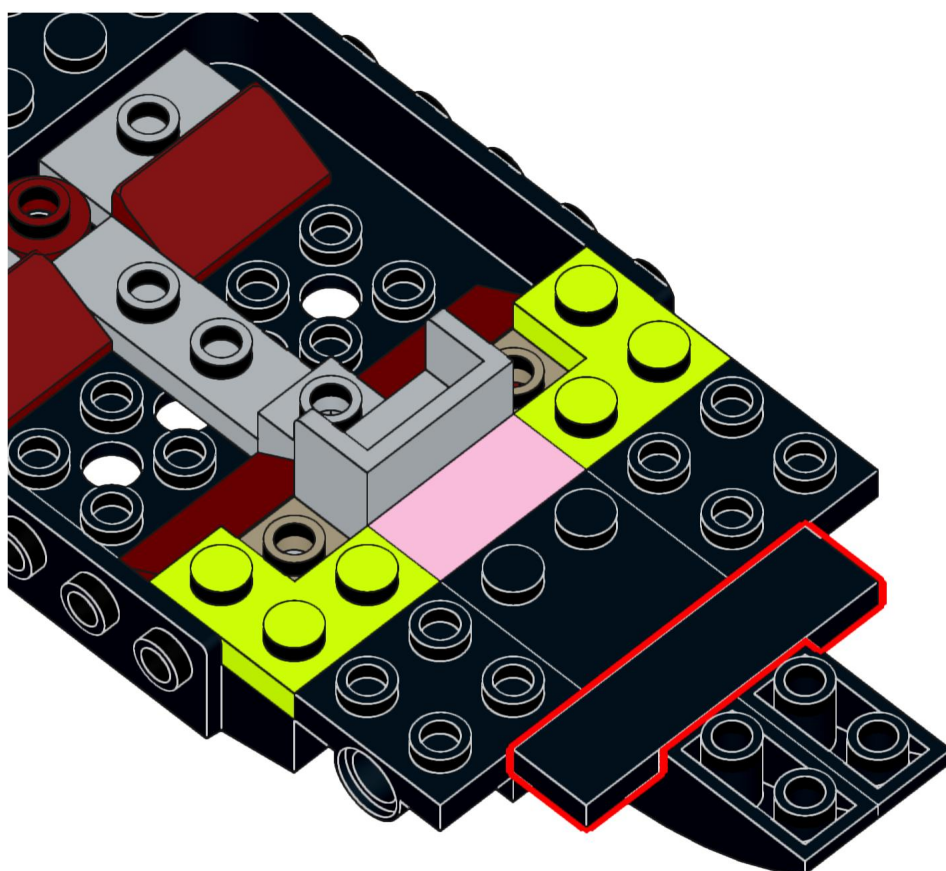


12

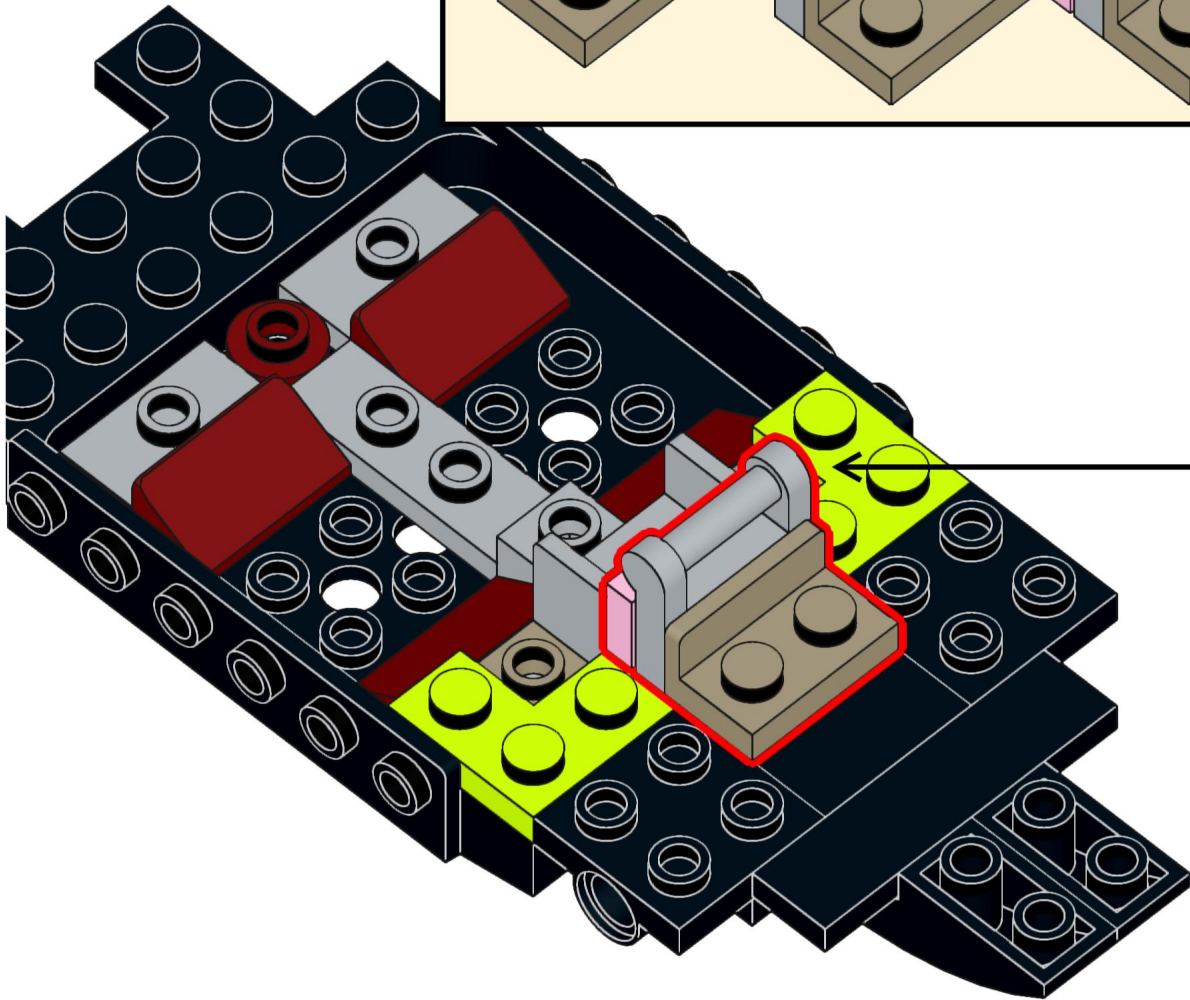
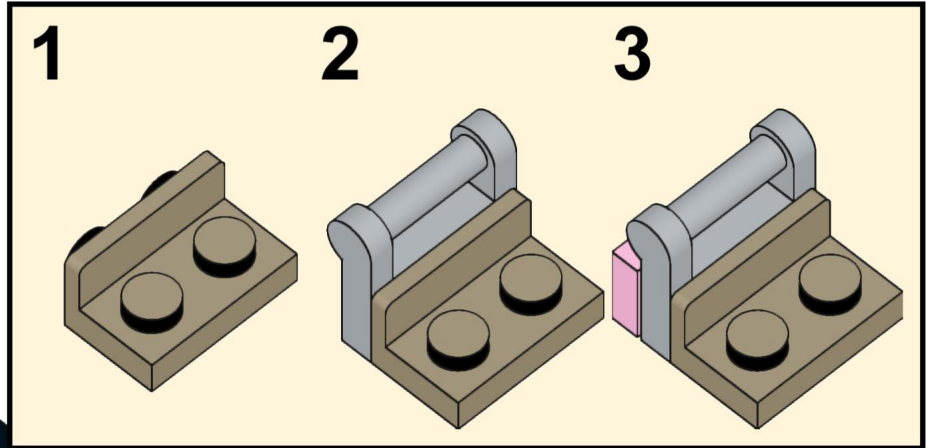
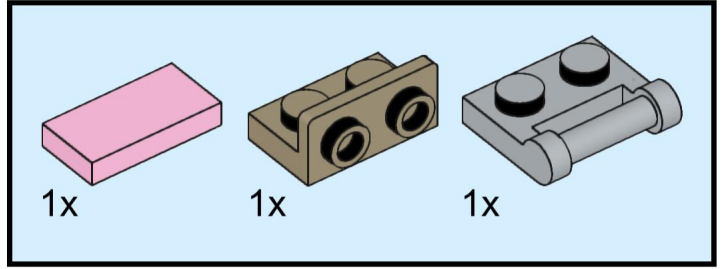
13



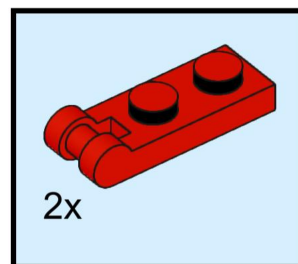
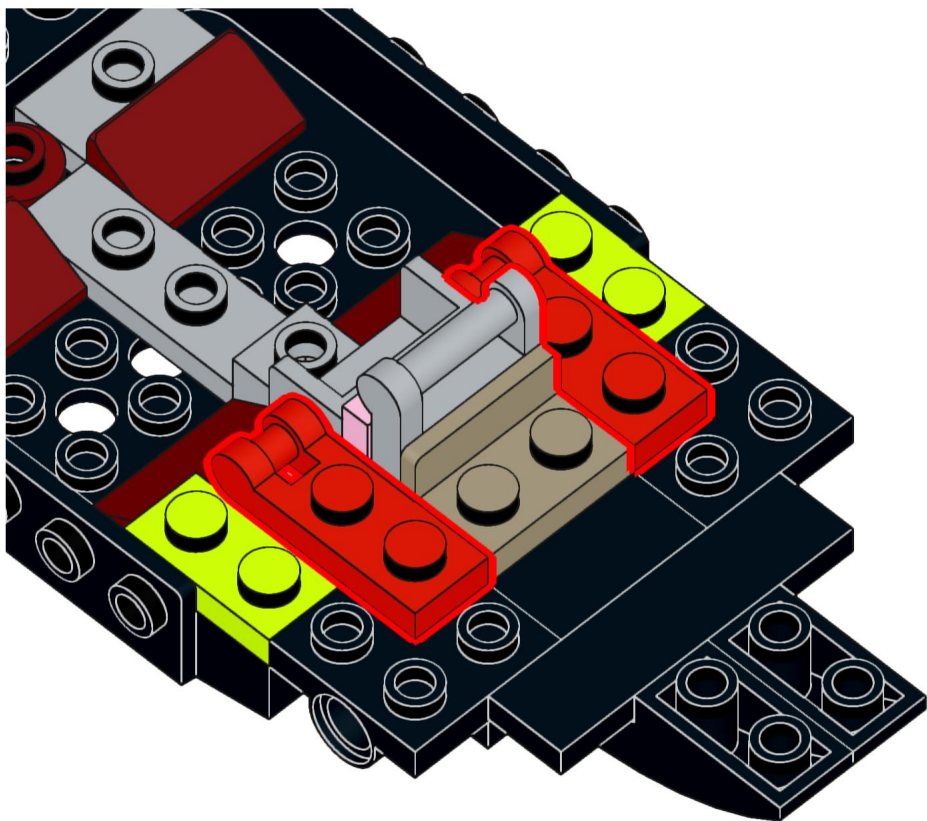
14



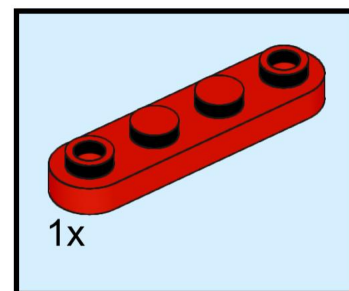
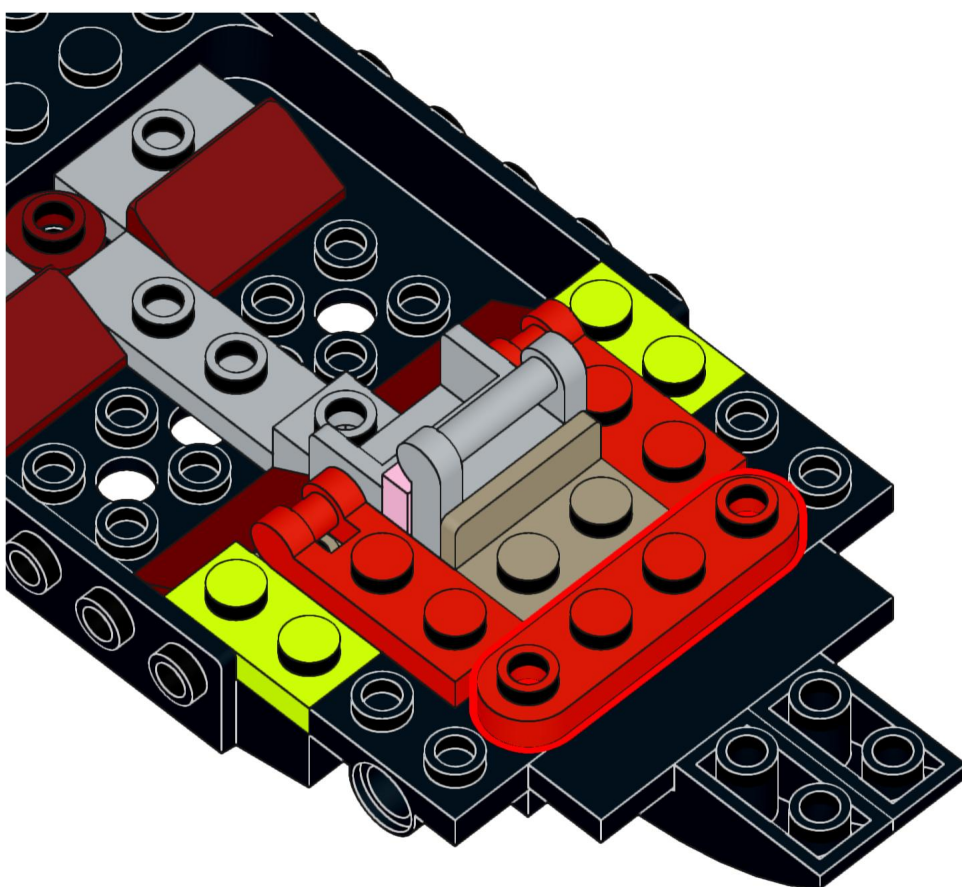
15



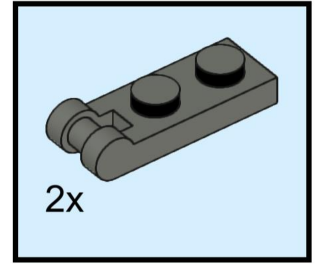
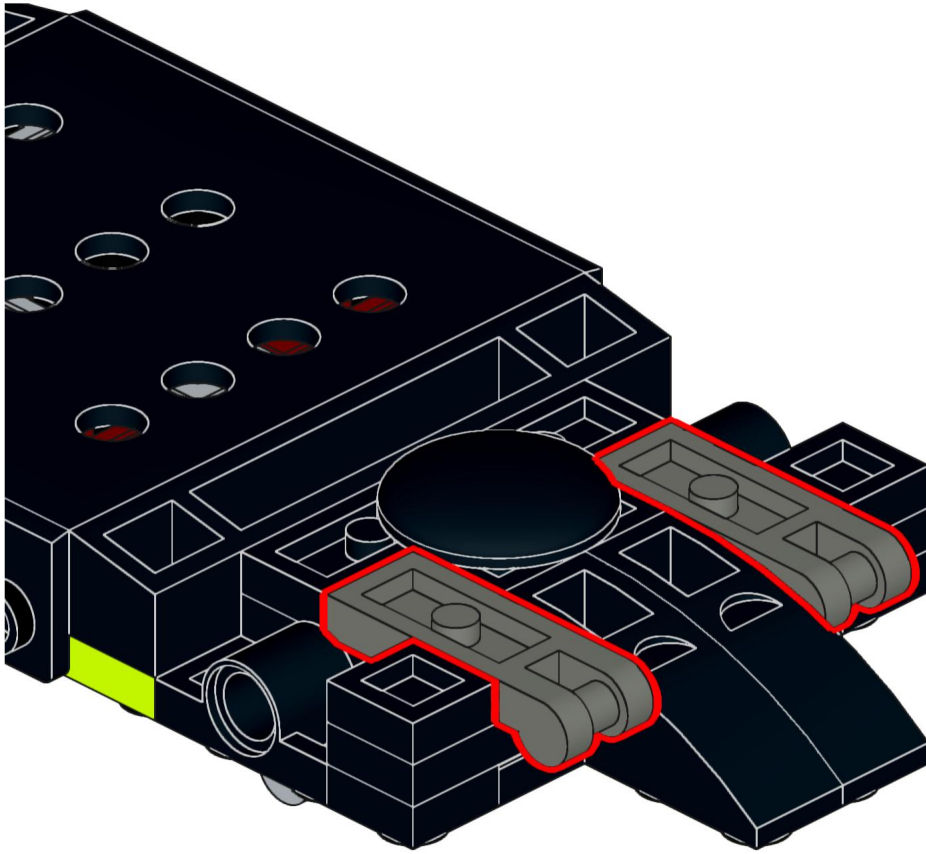
16



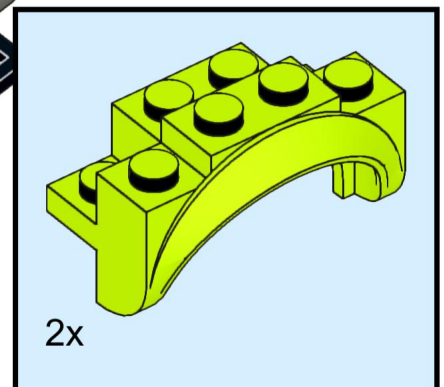
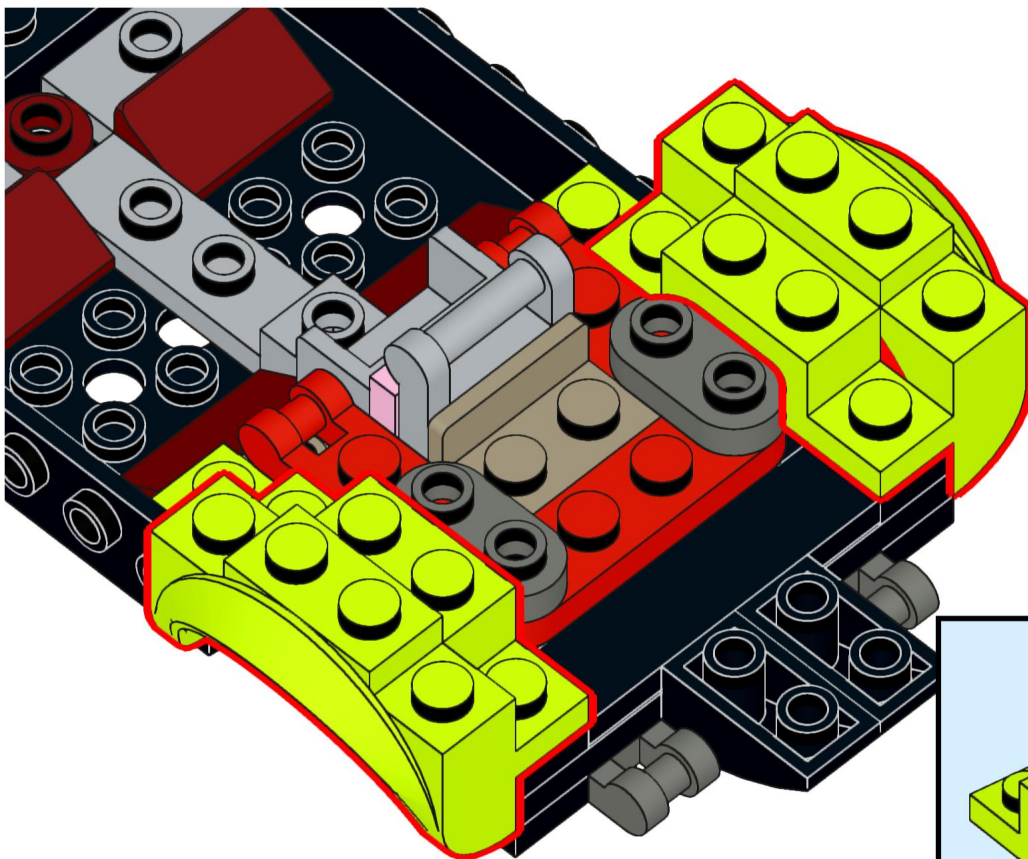
17



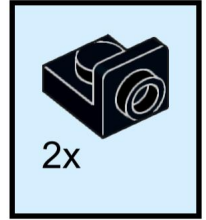
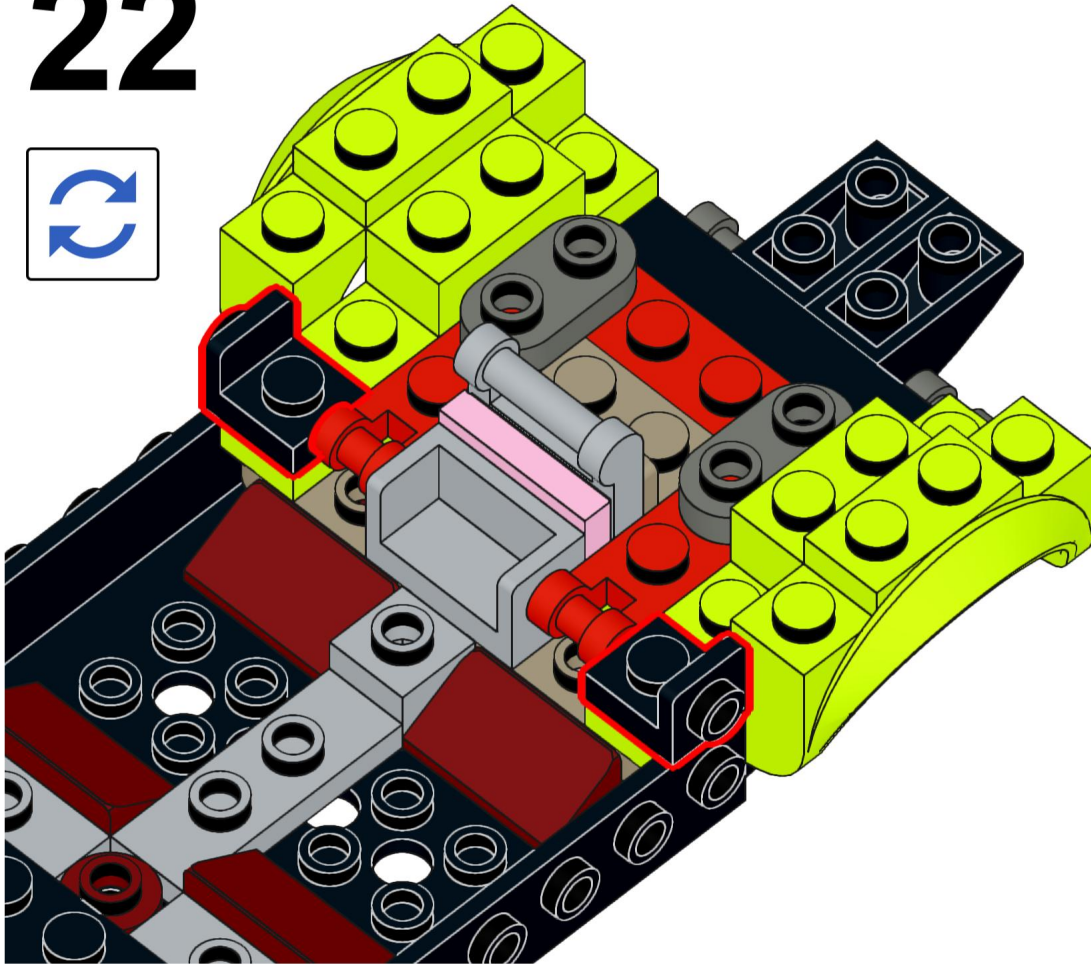
20



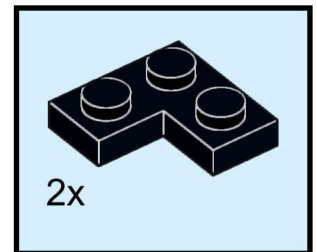
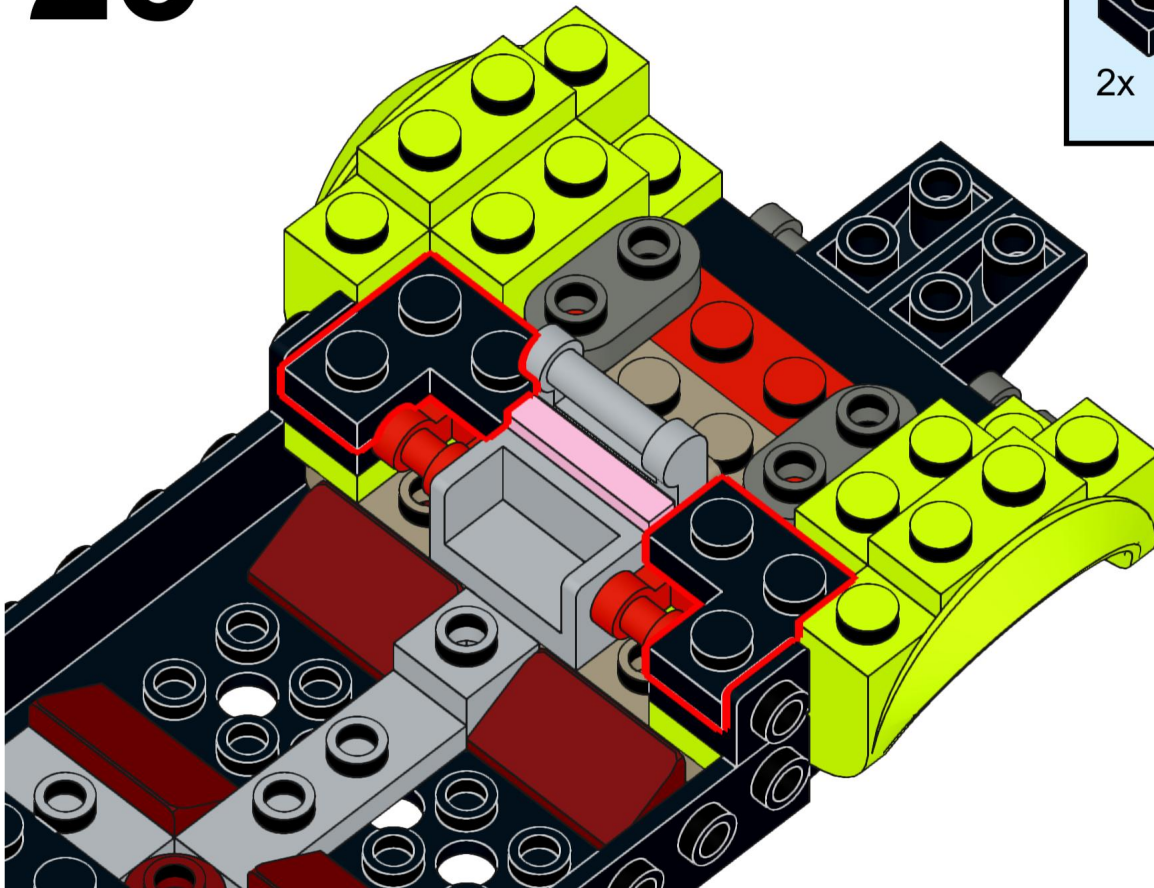
21



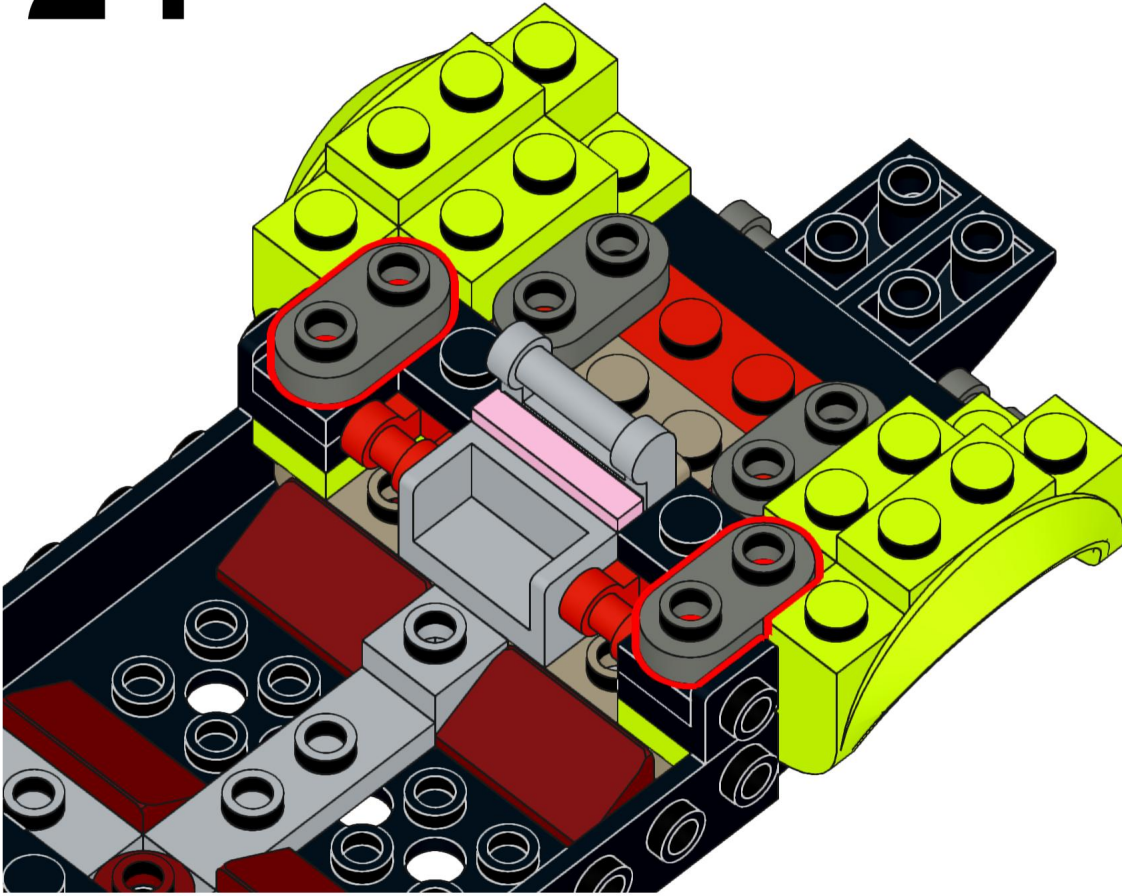
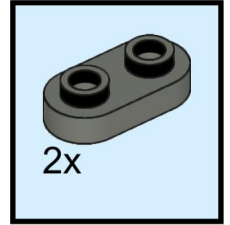
22



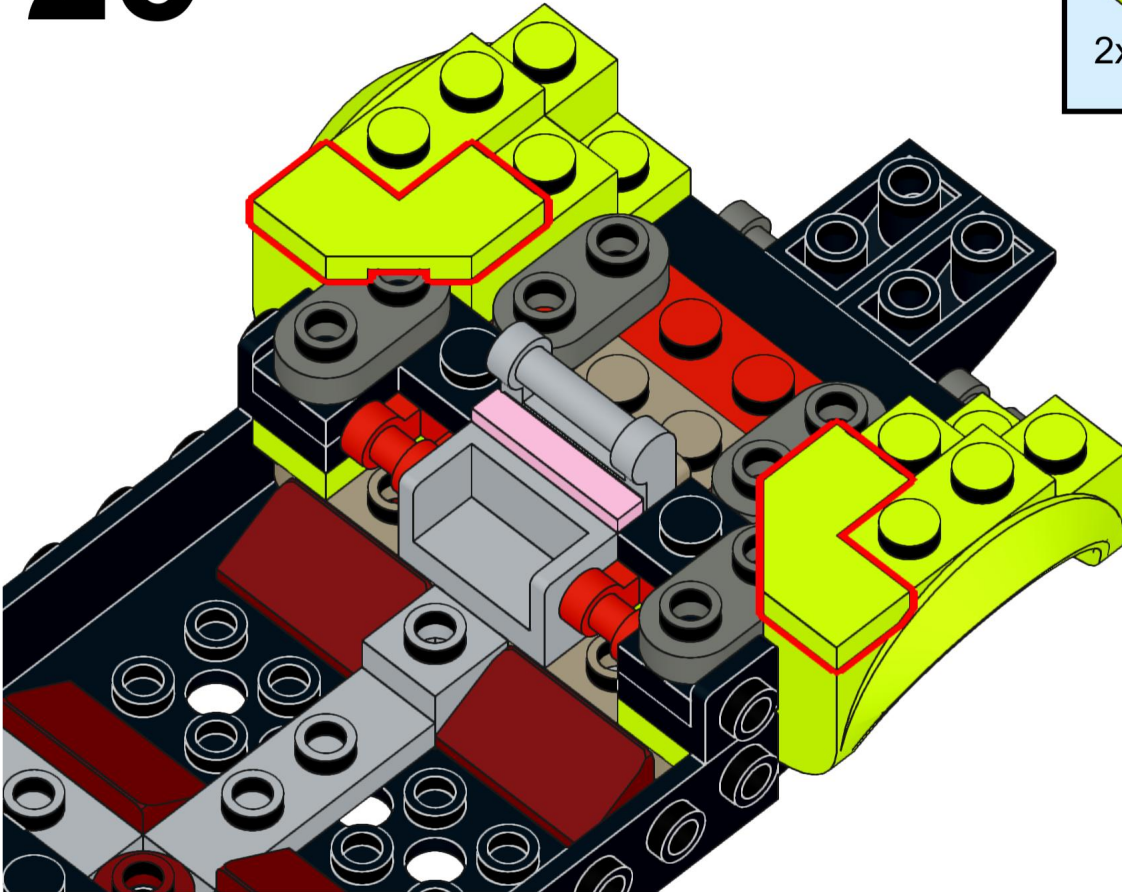
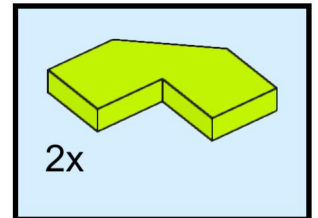
23



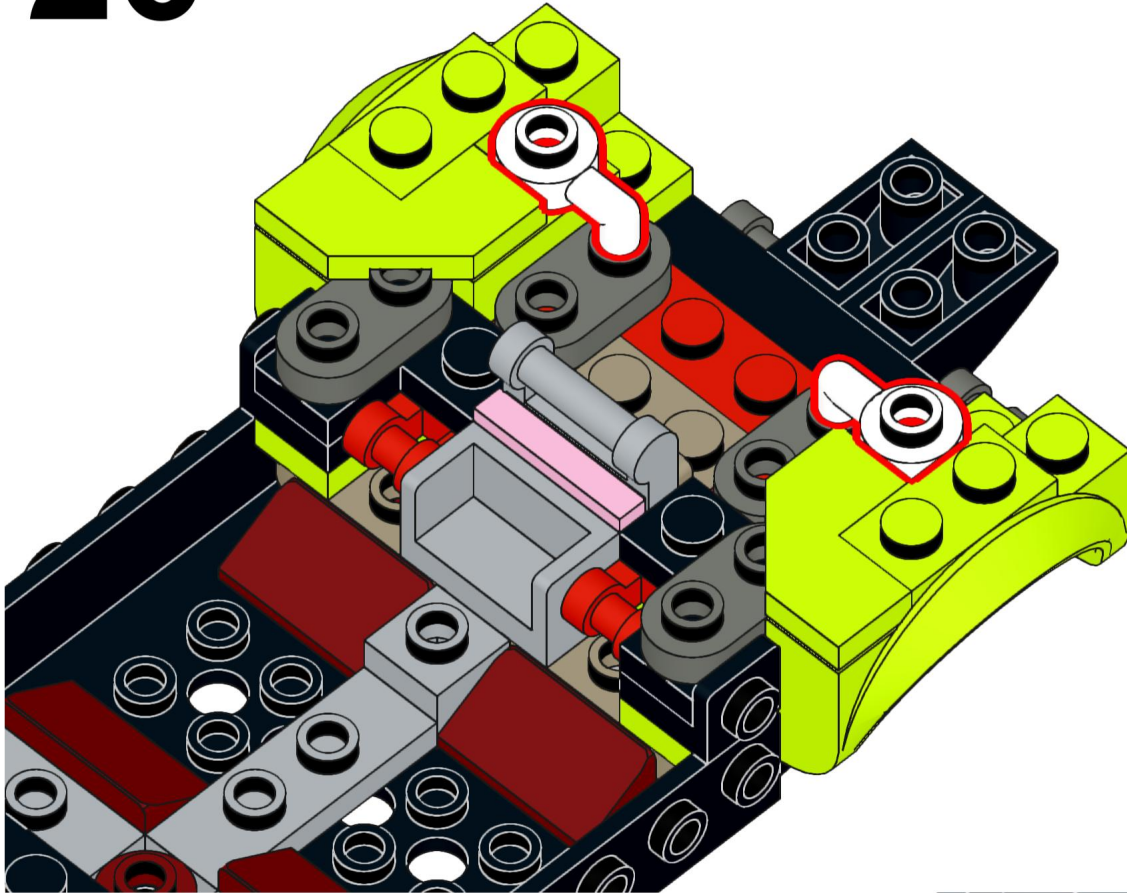
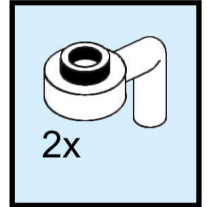
24



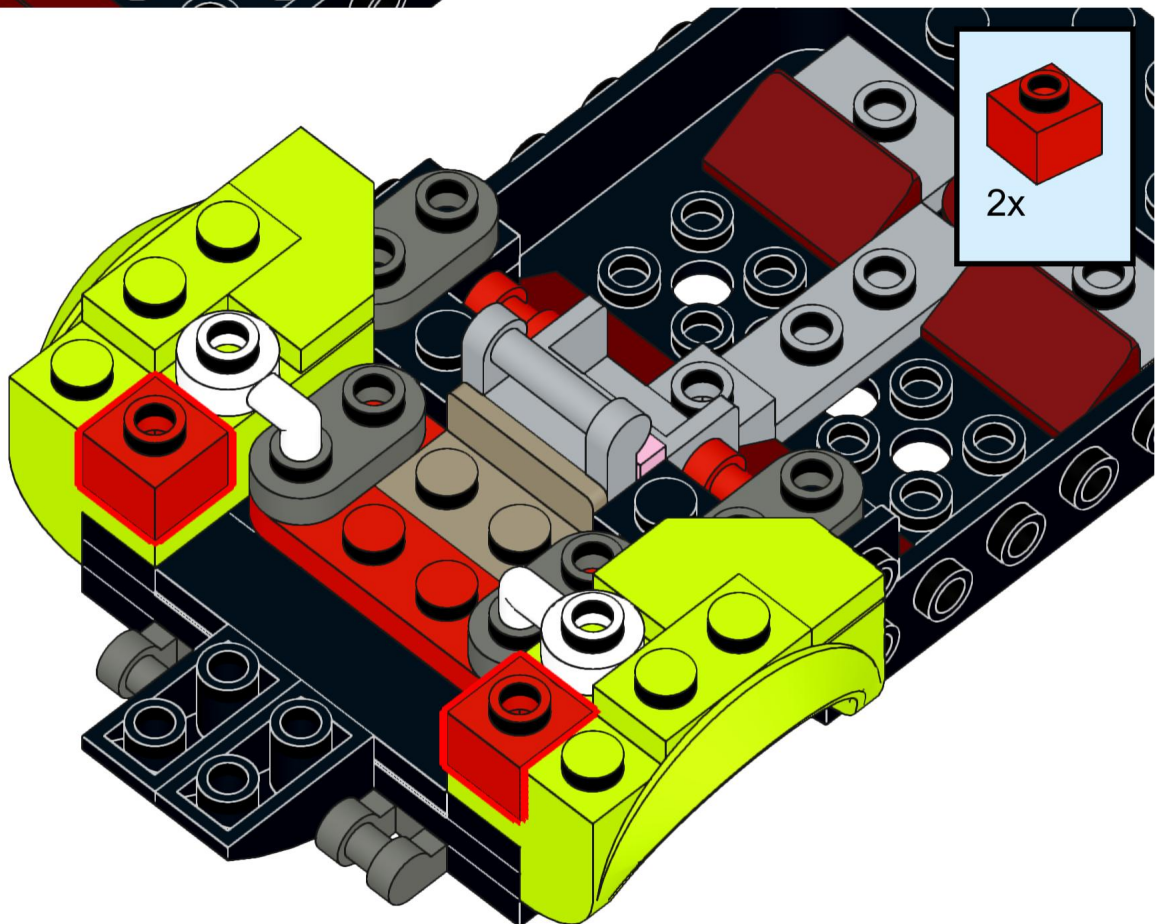
25



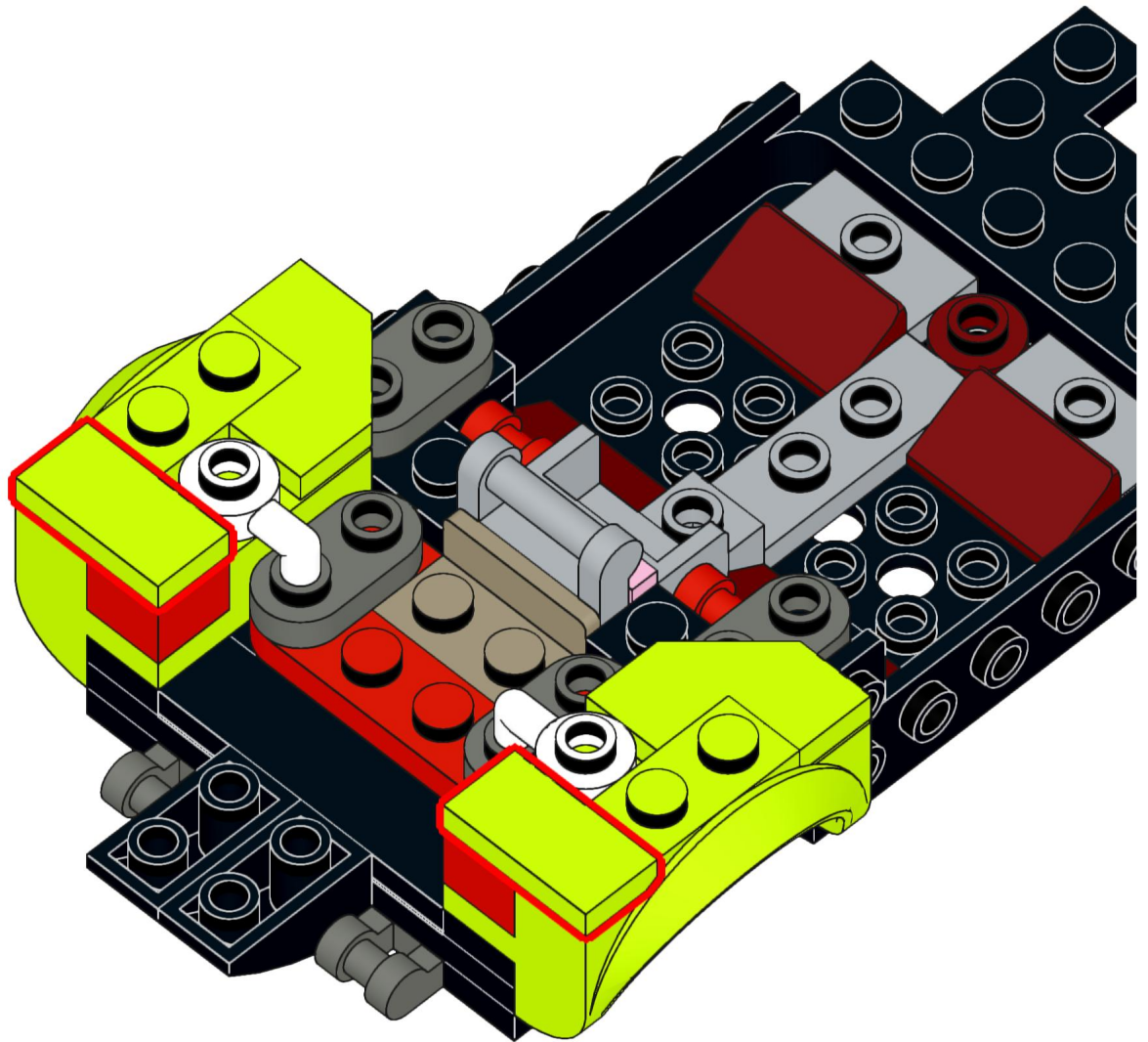
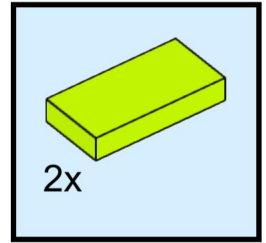
26



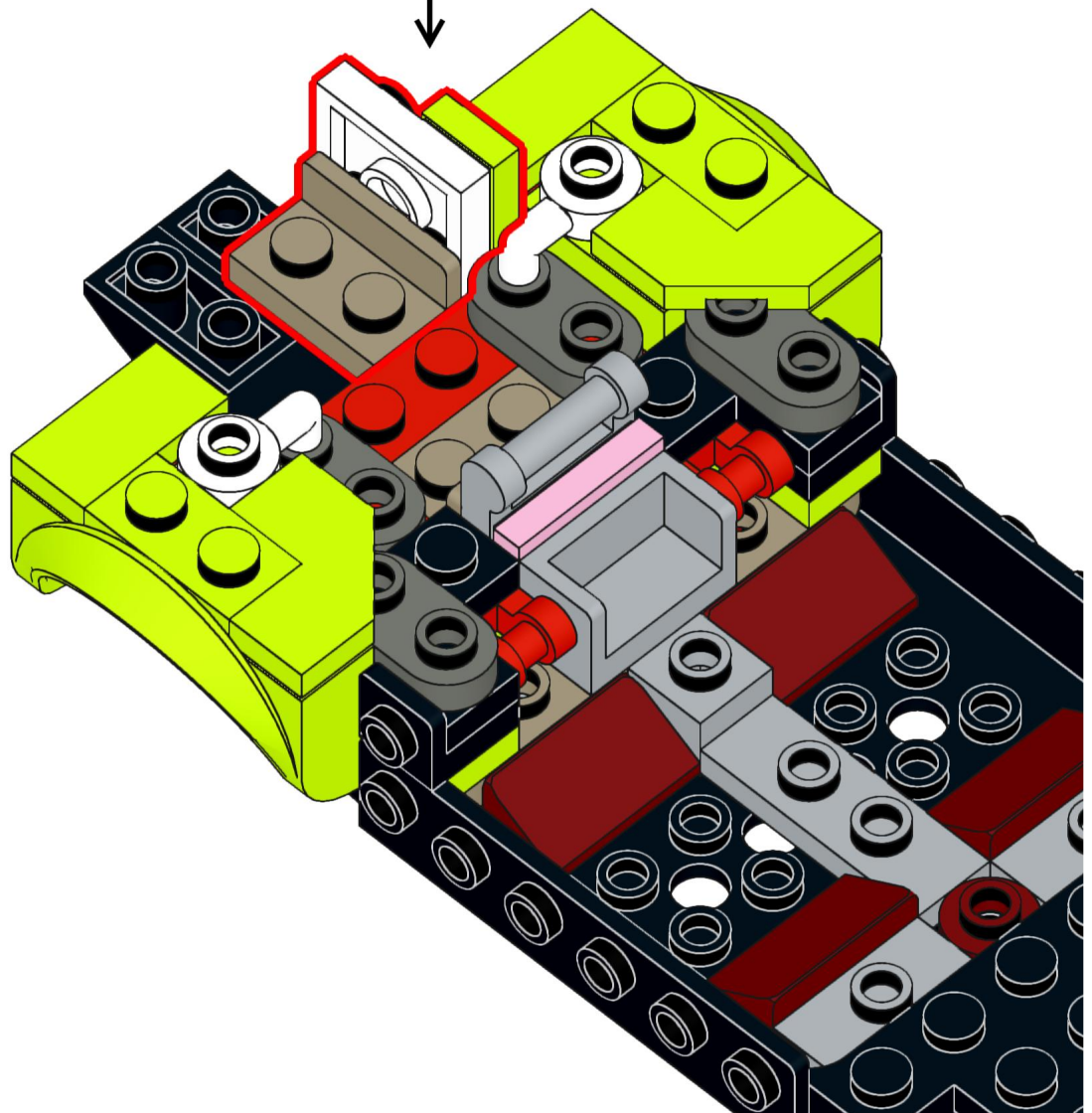
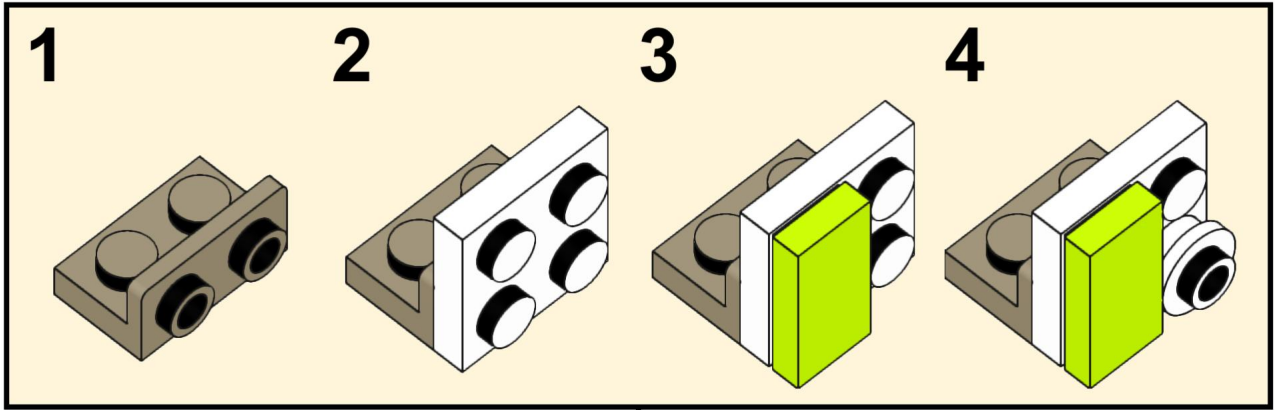
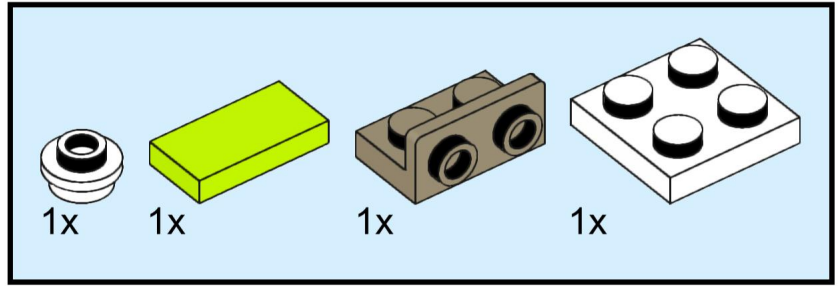
27



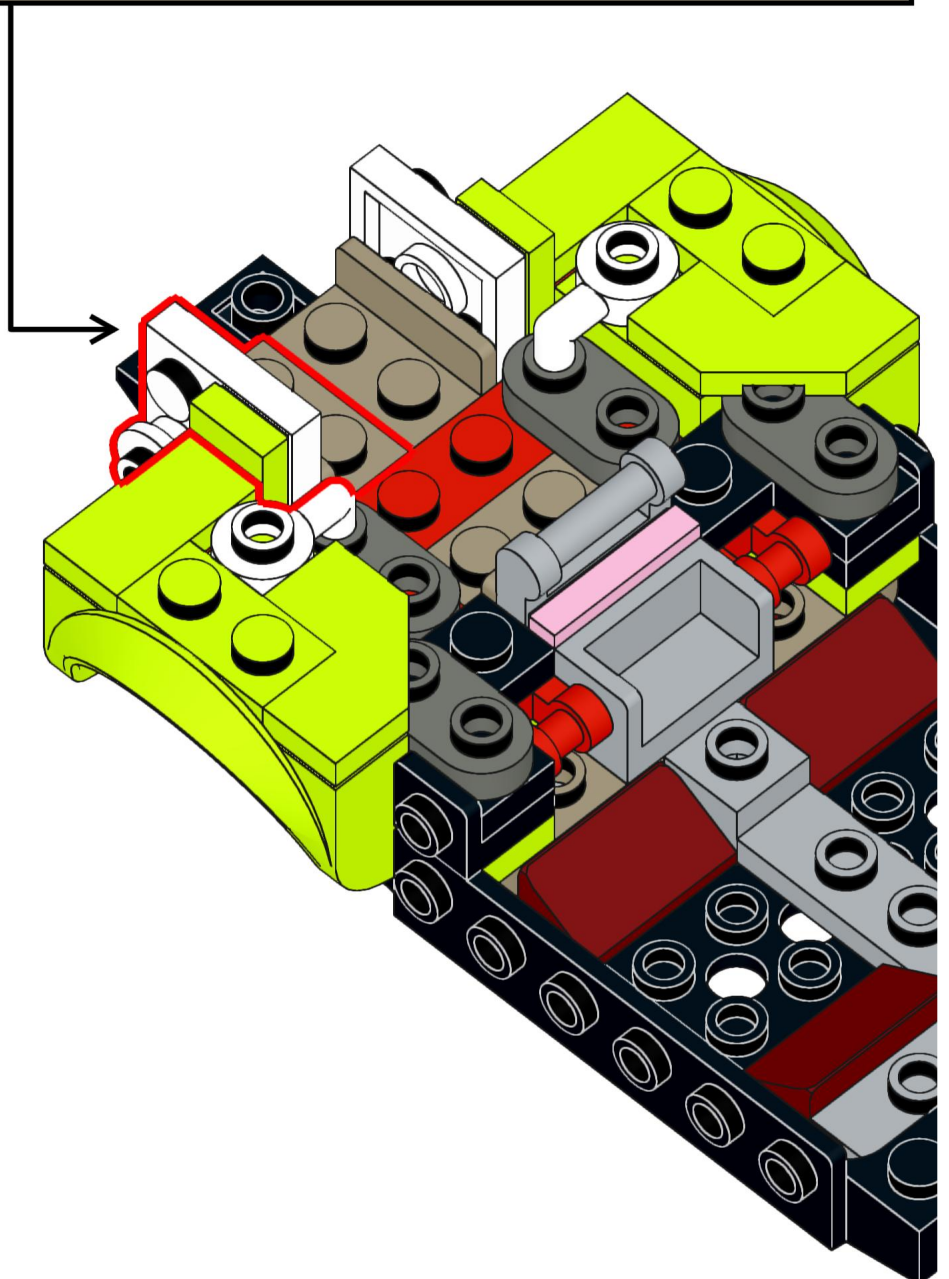
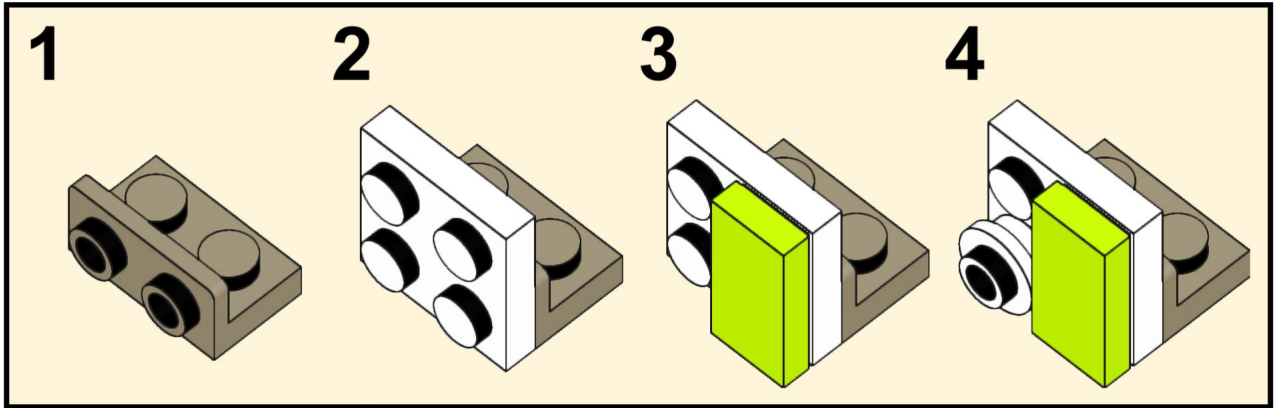
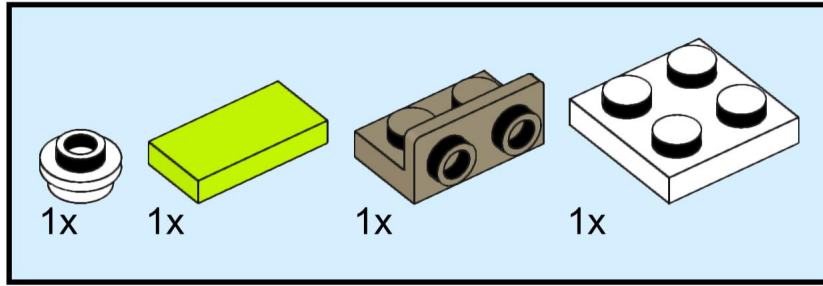
28



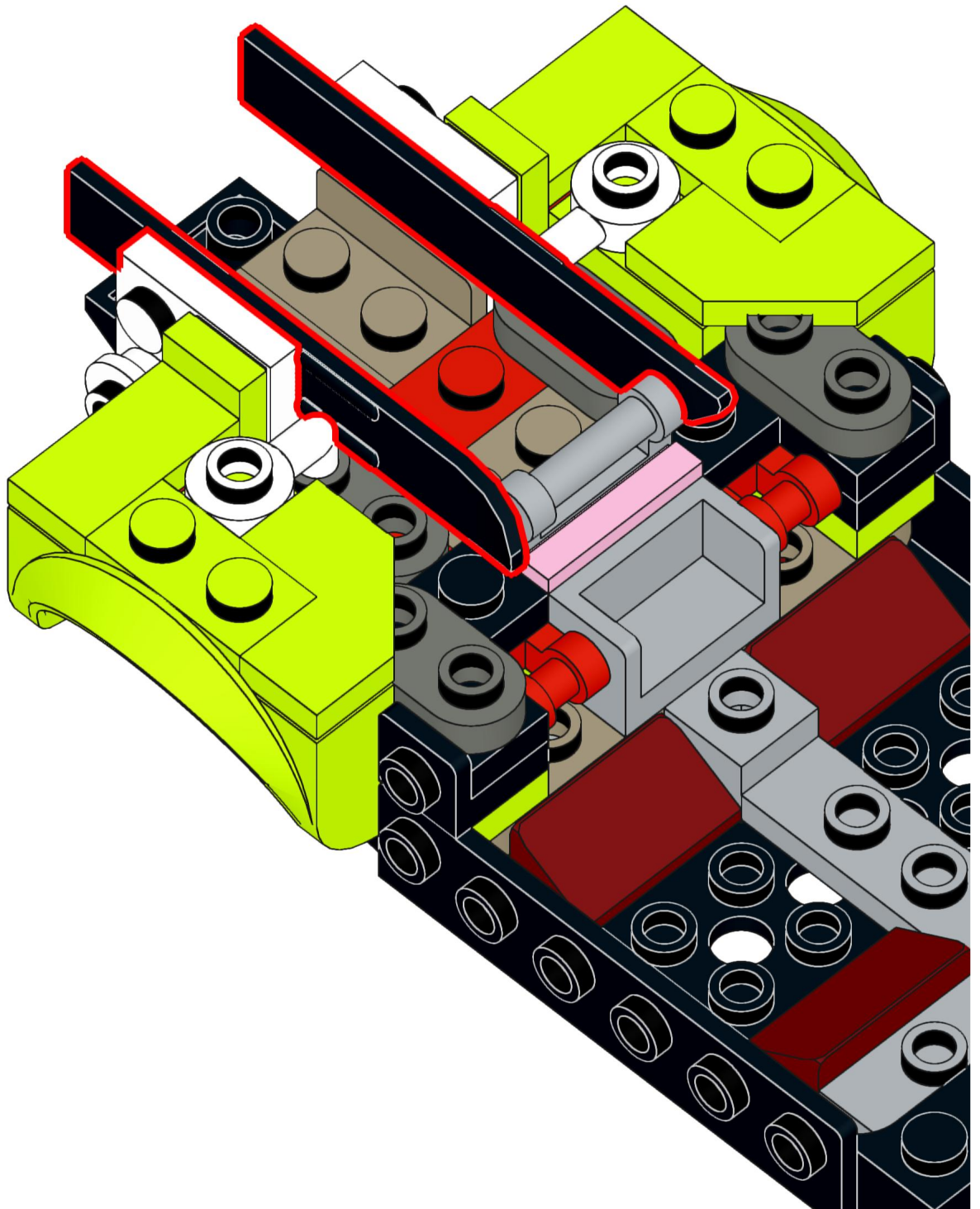
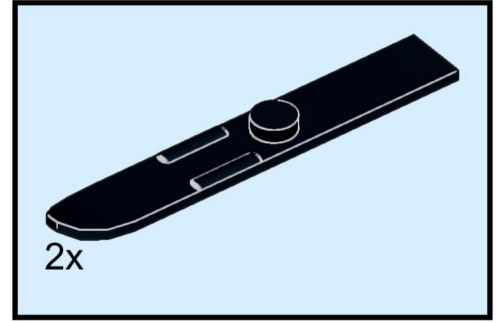
29



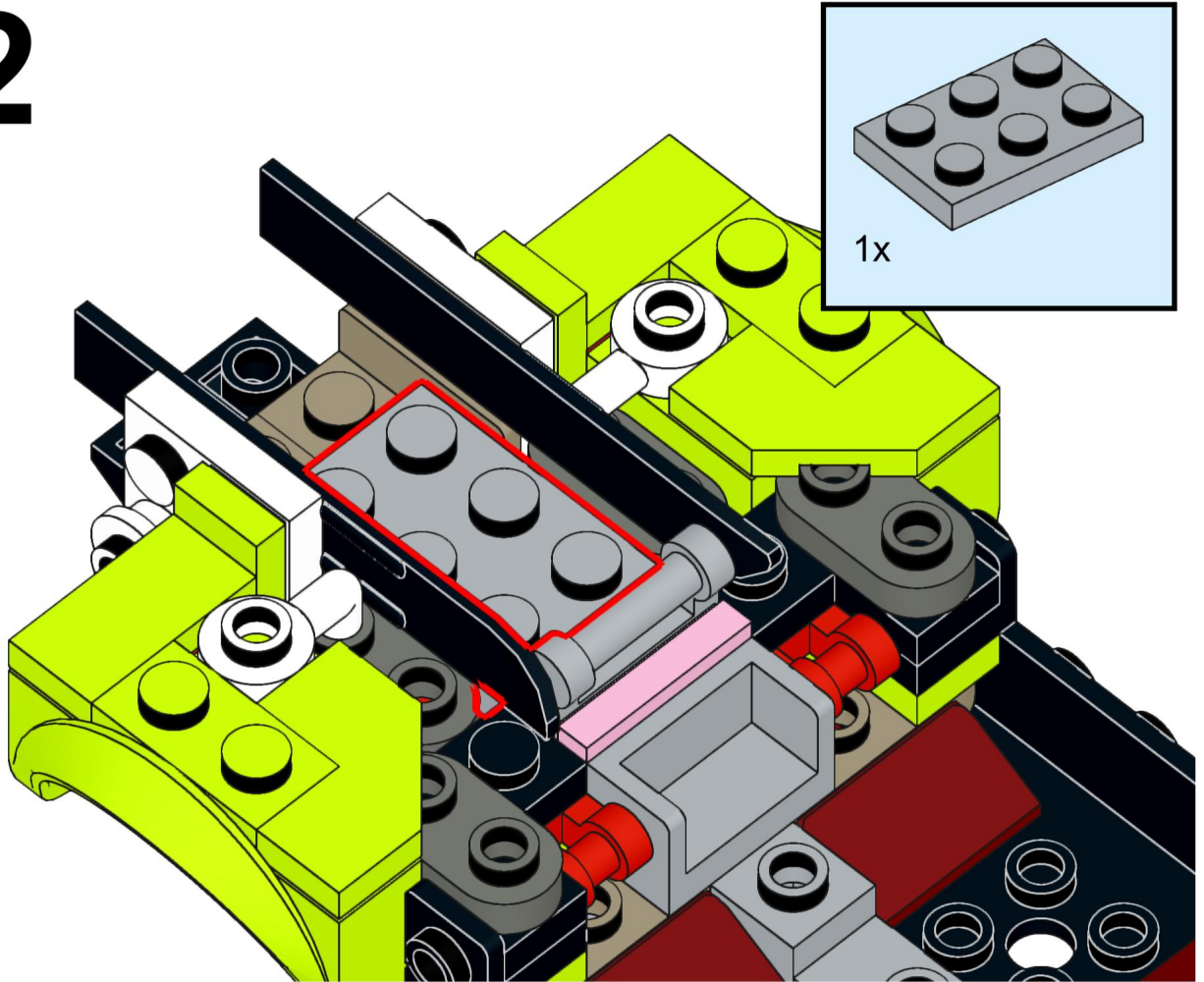
30



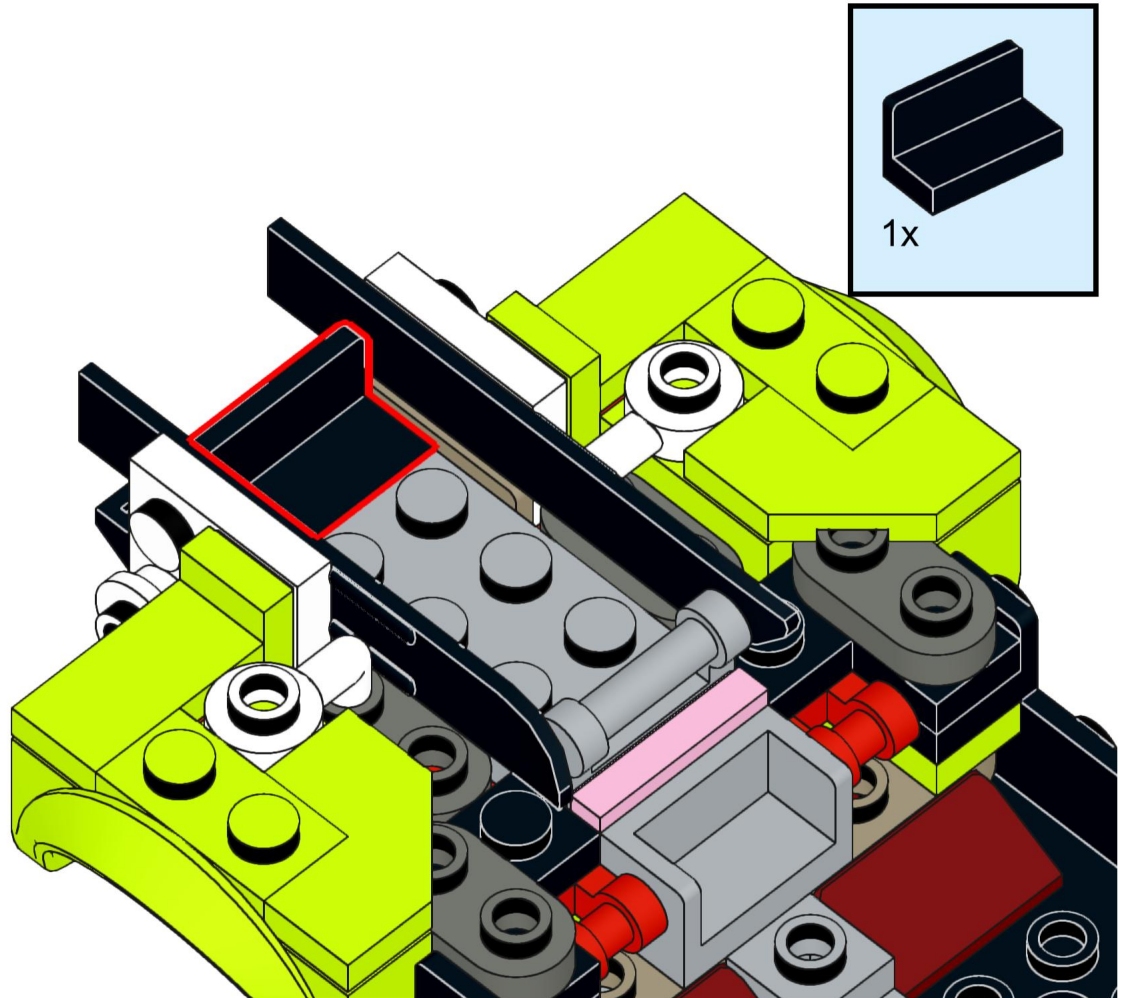
31



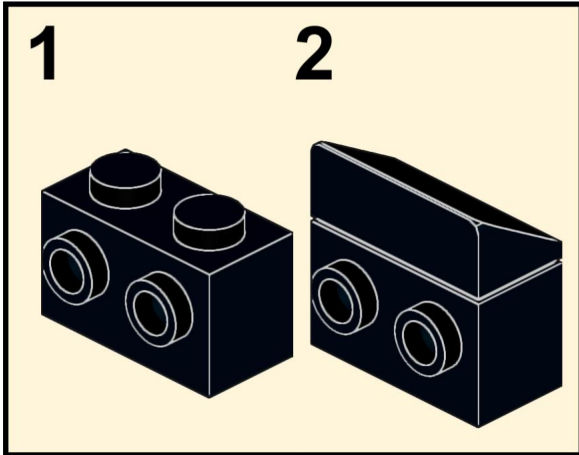
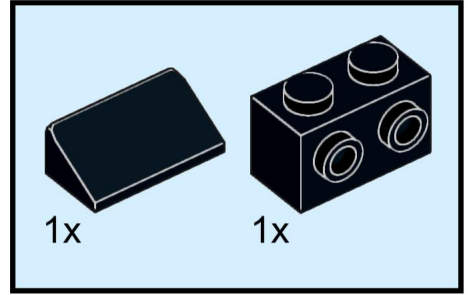
32



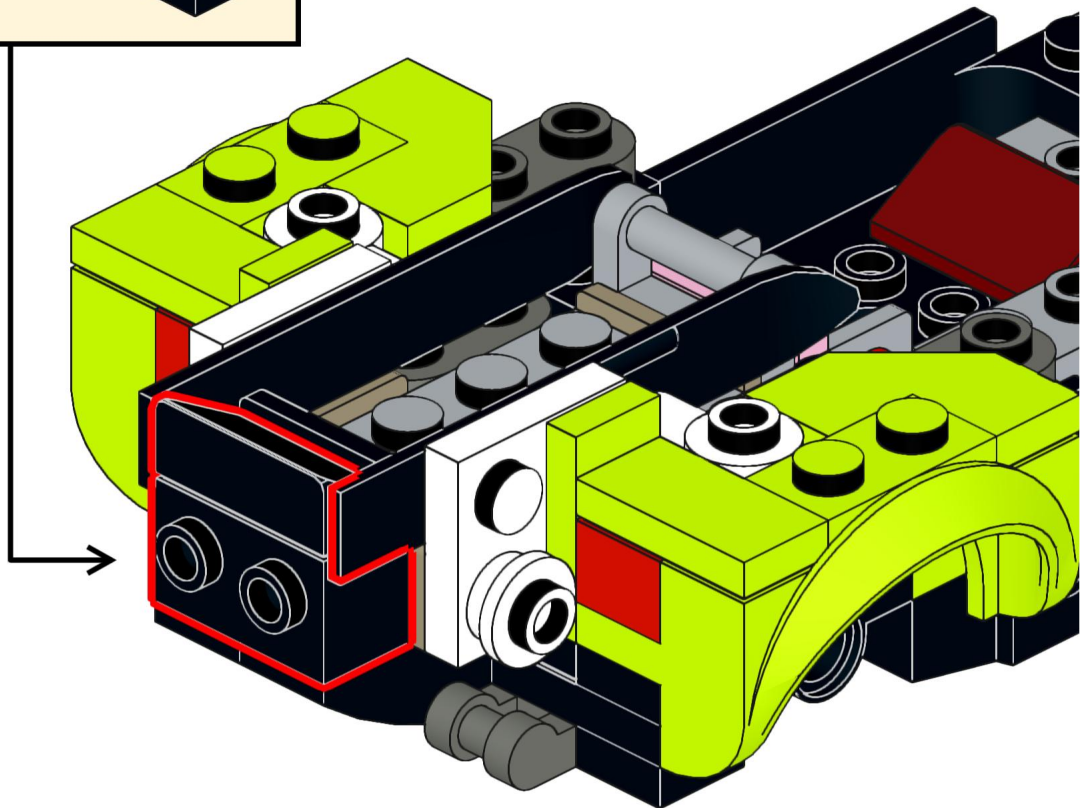
33



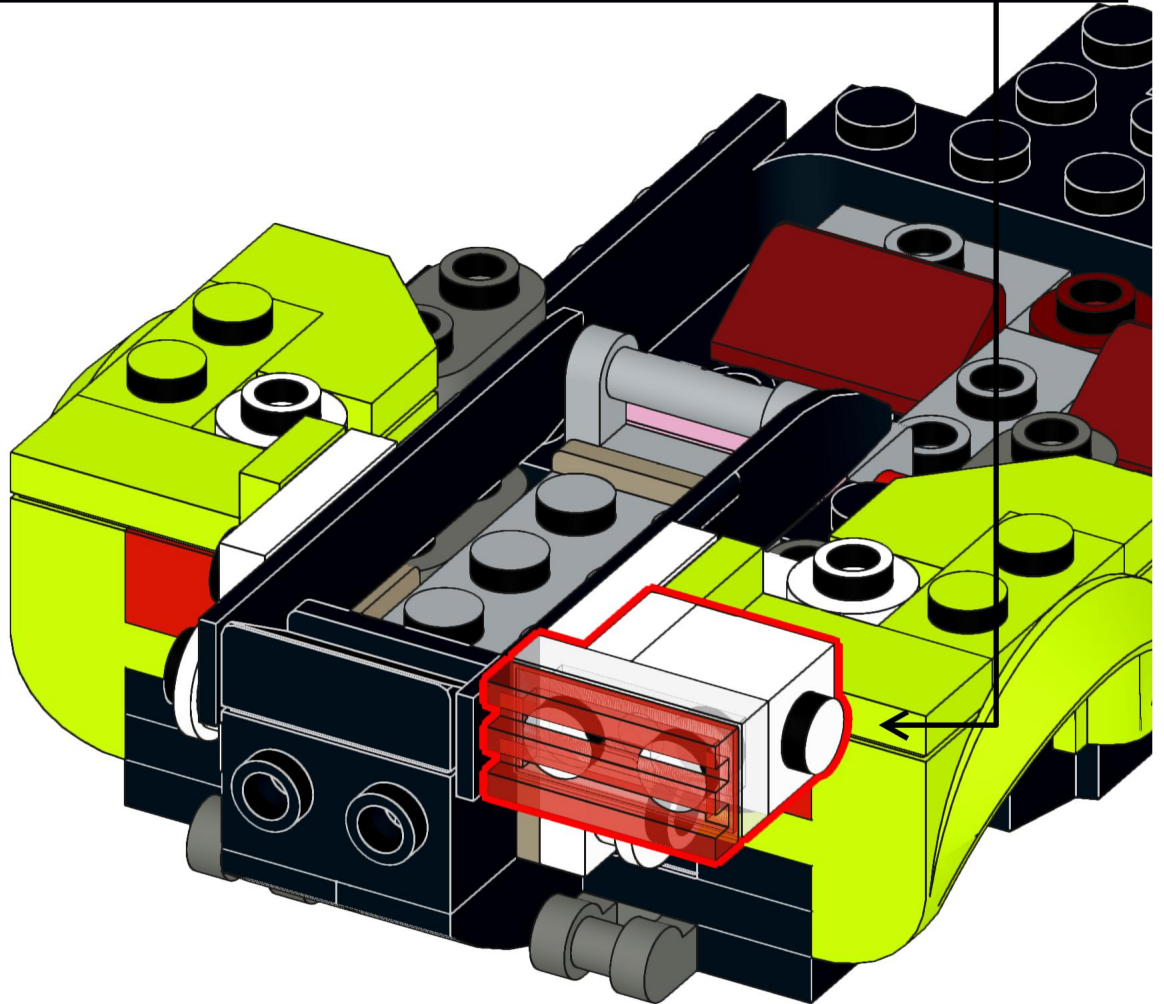
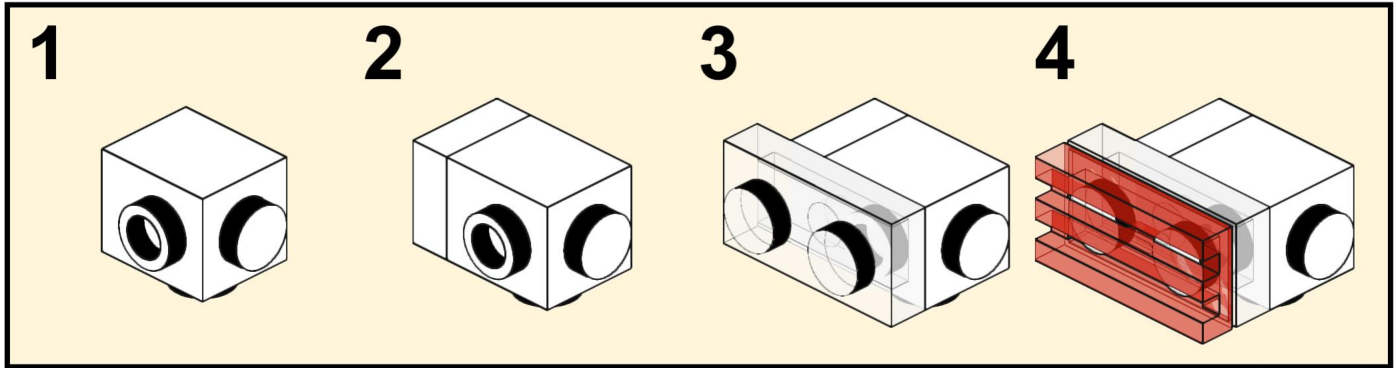
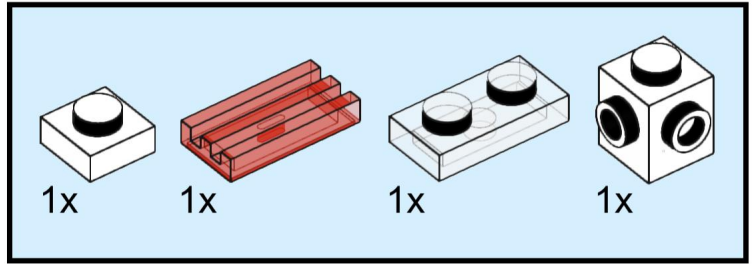
34



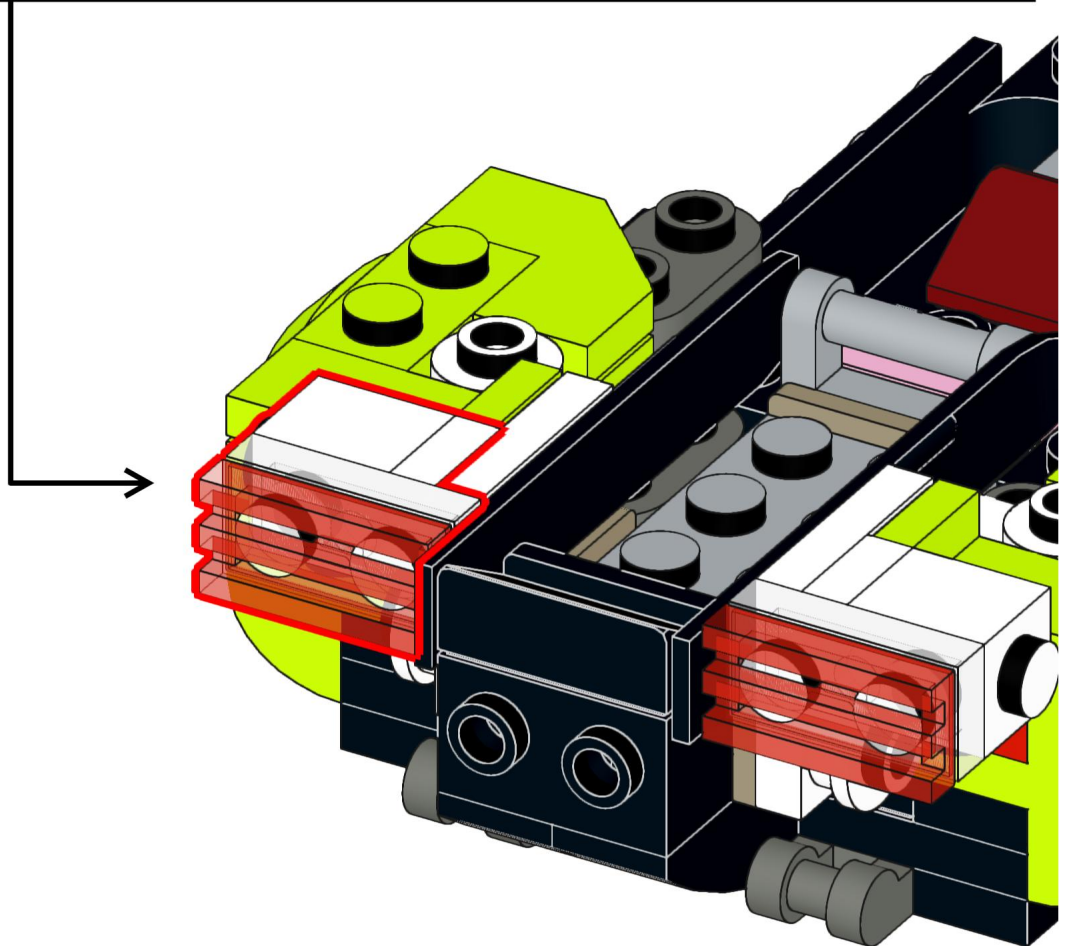
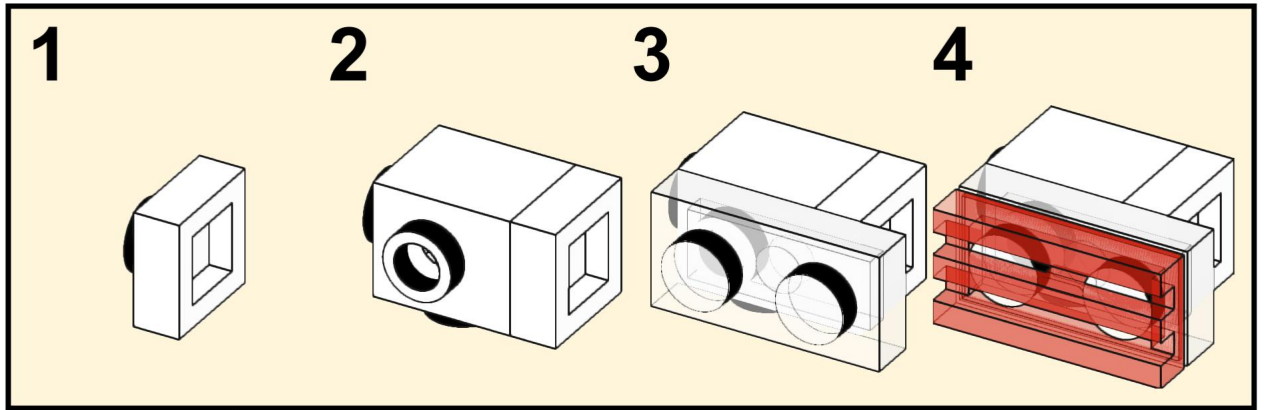
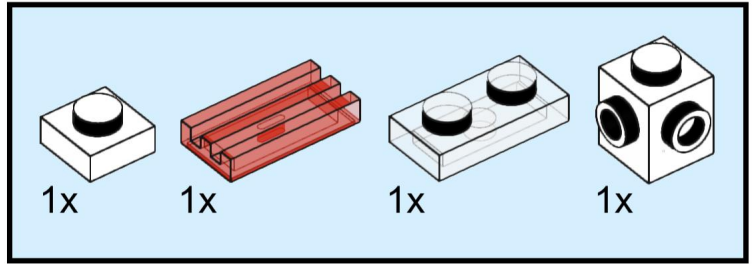
Use the "dodge" slope element here



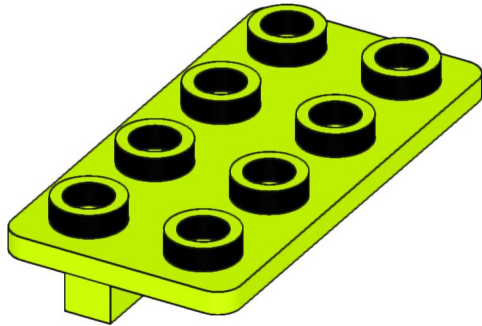
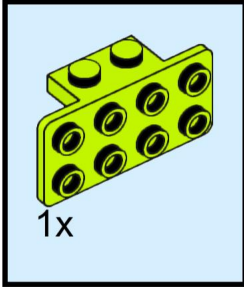
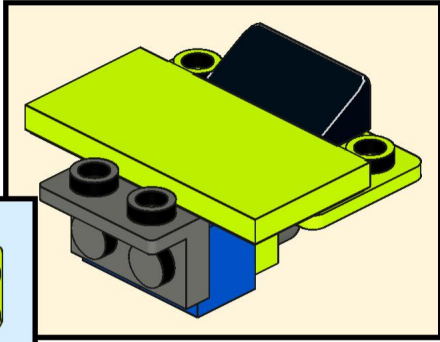
35



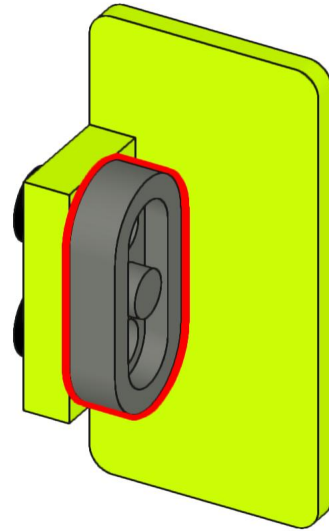
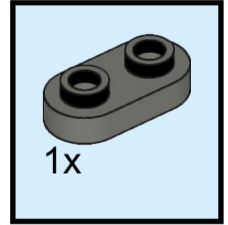
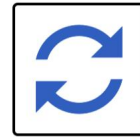
36



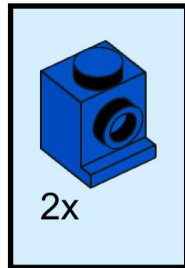
37



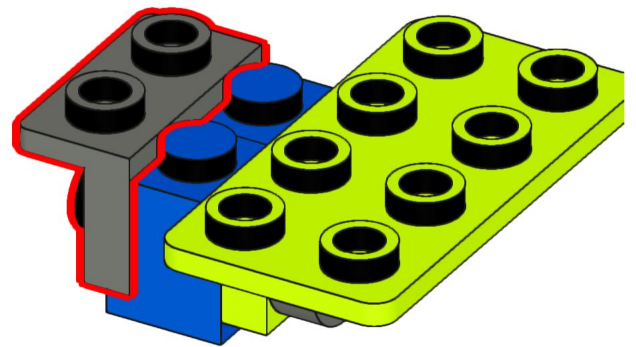
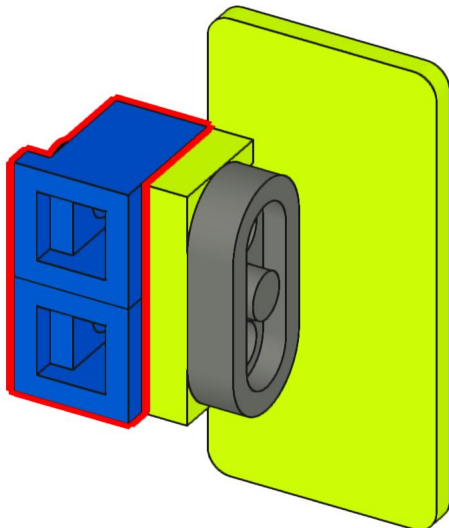
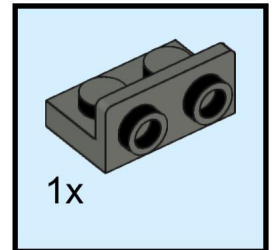
38



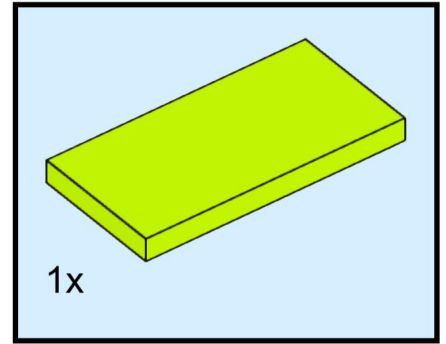
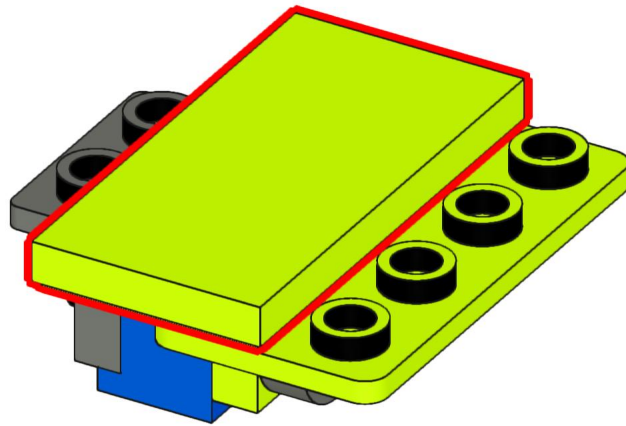
39



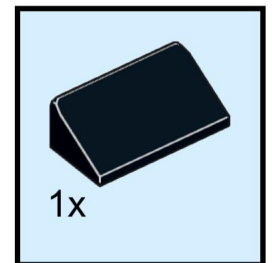
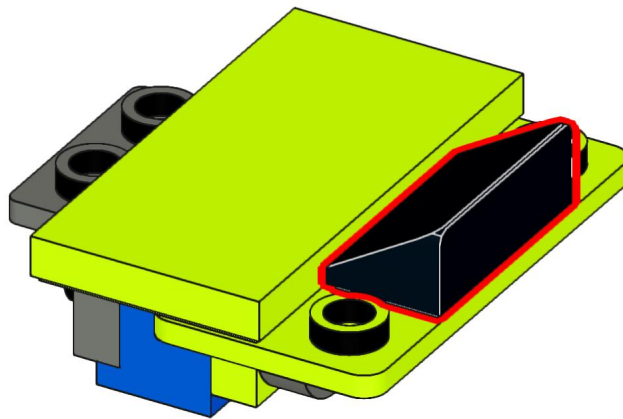
40



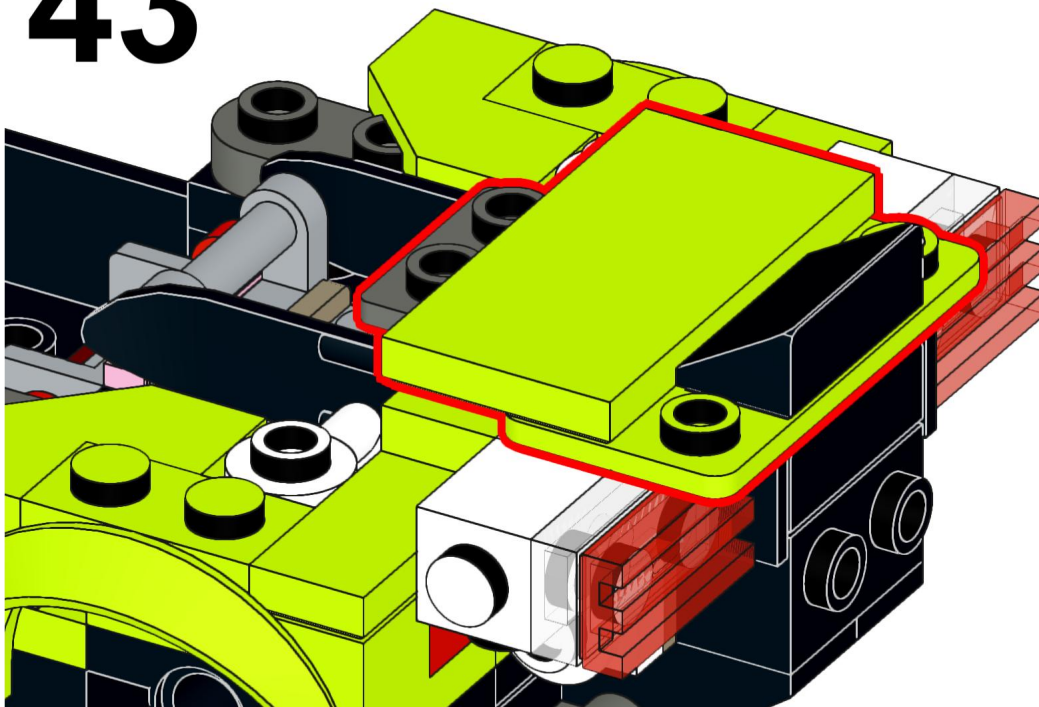
41



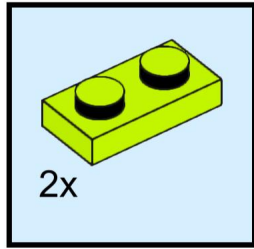
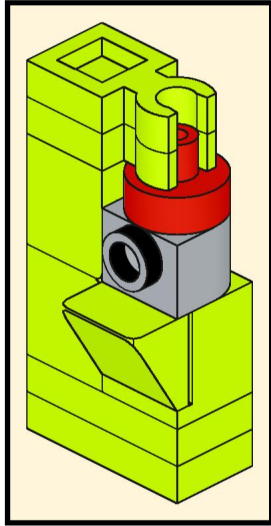
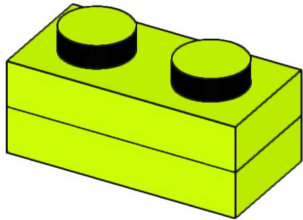
42



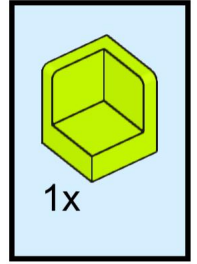
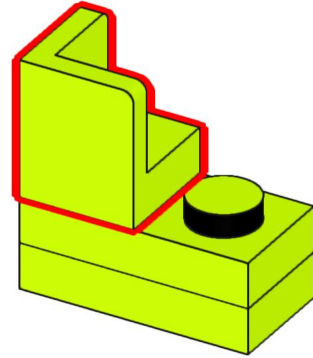
43



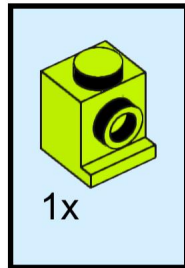
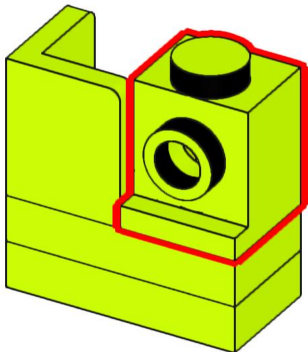
44



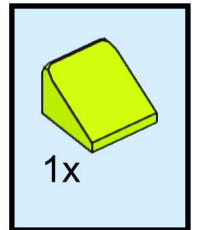
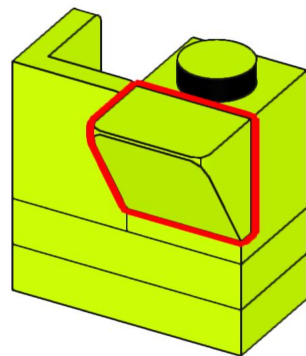
45



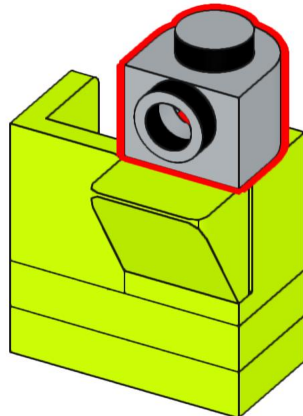
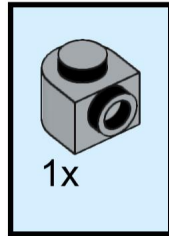
46



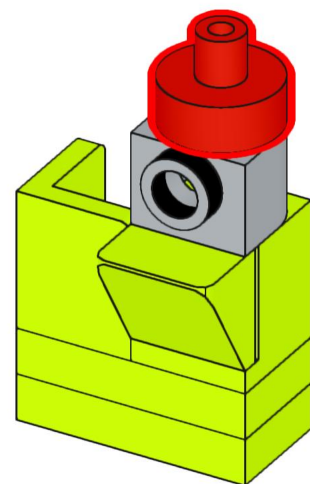
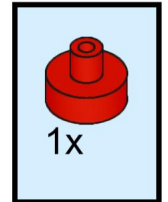
47



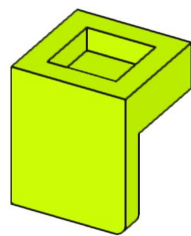
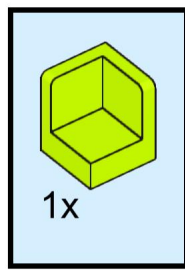
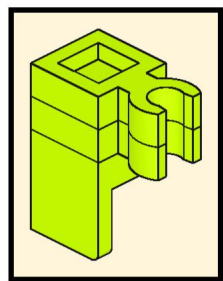
48



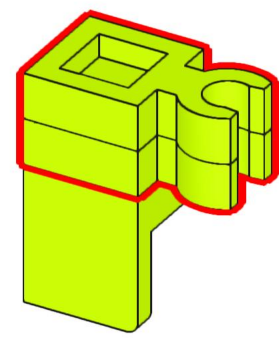
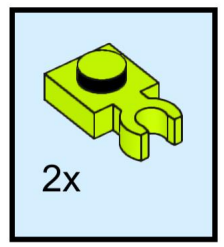
49



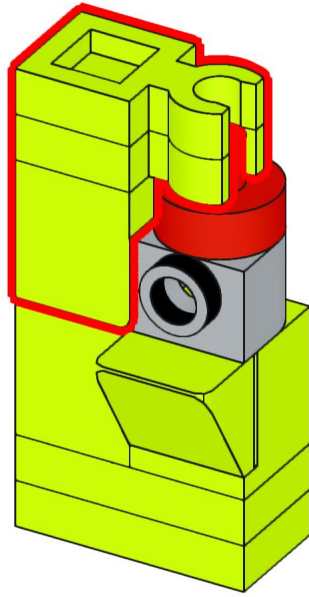
50



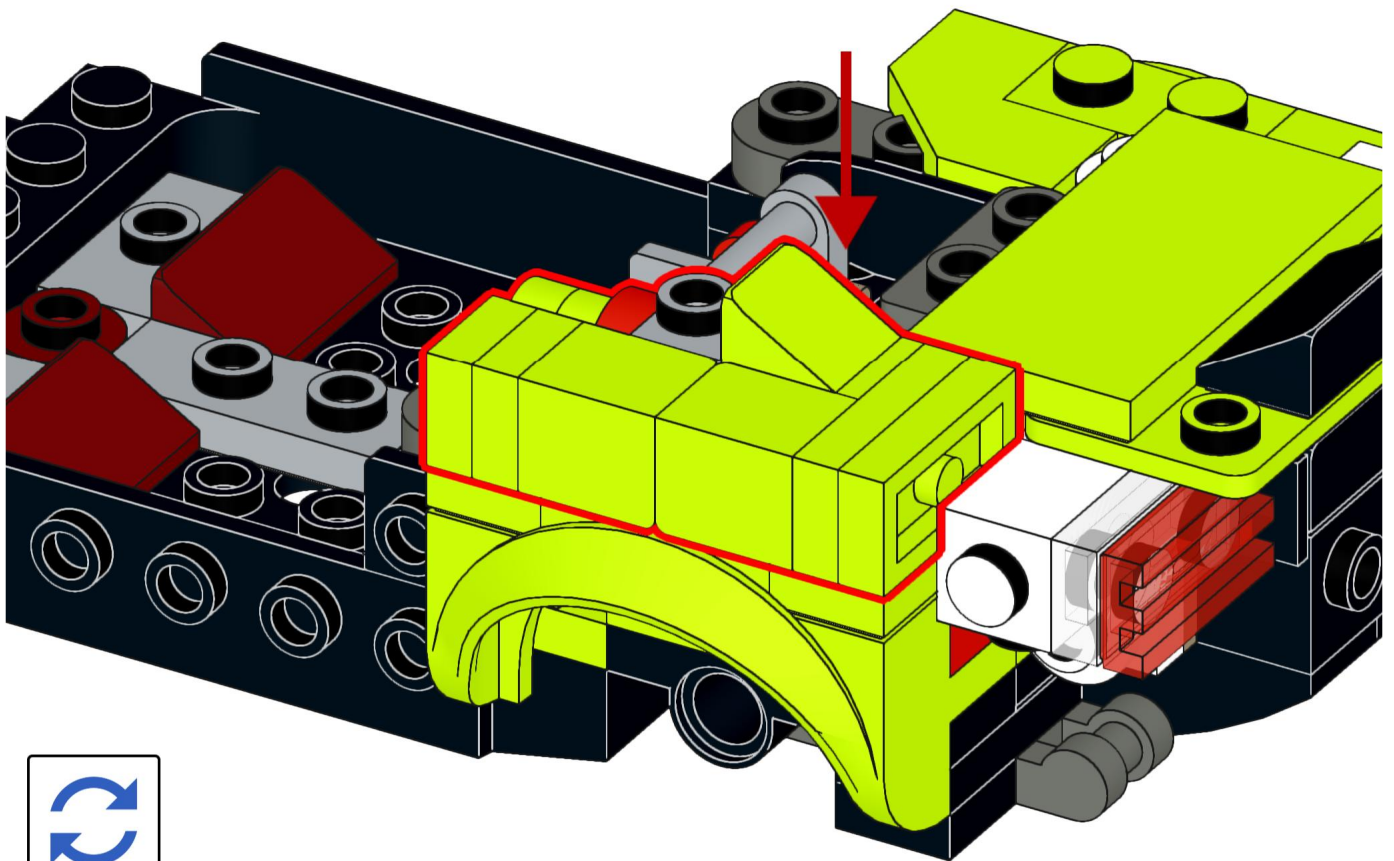
51



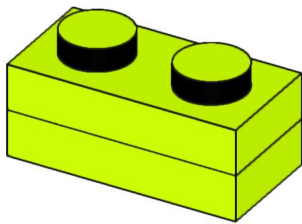
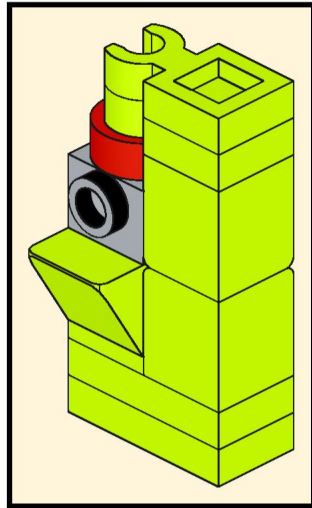
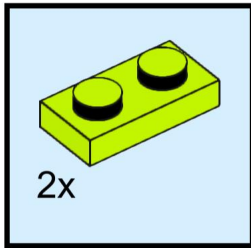
52



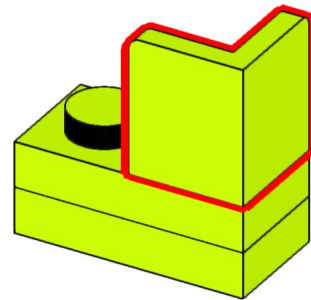
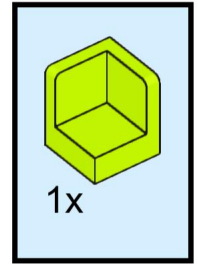
53



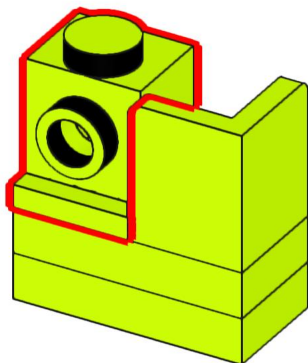
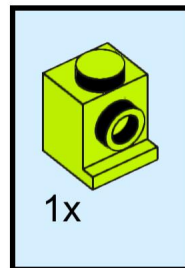
54



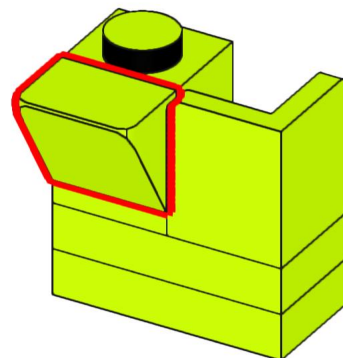
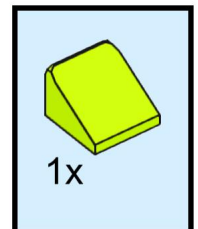
55



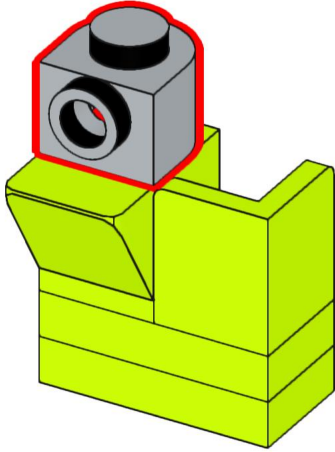
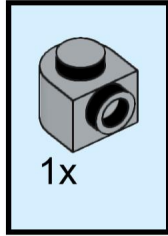
56



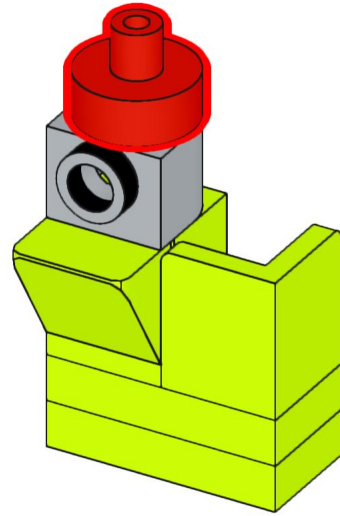
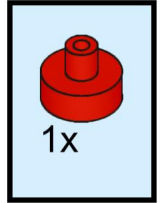
57



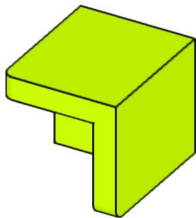
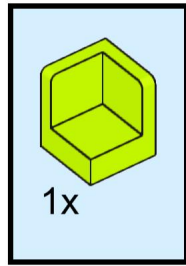
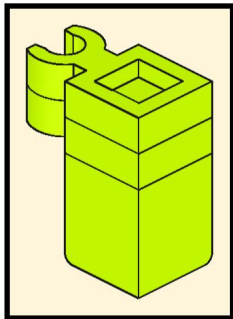
58



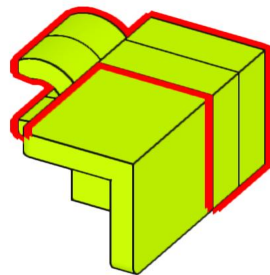
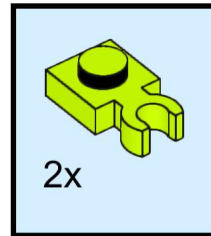
59



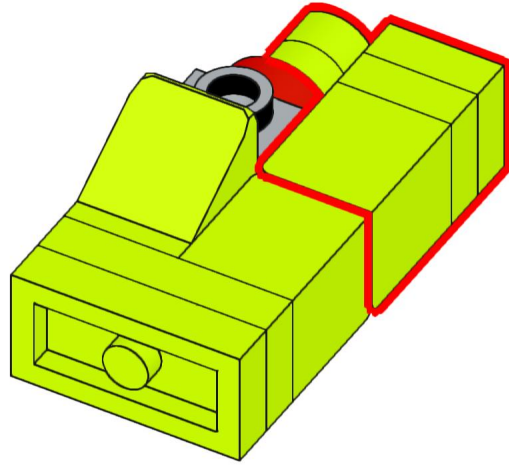
60



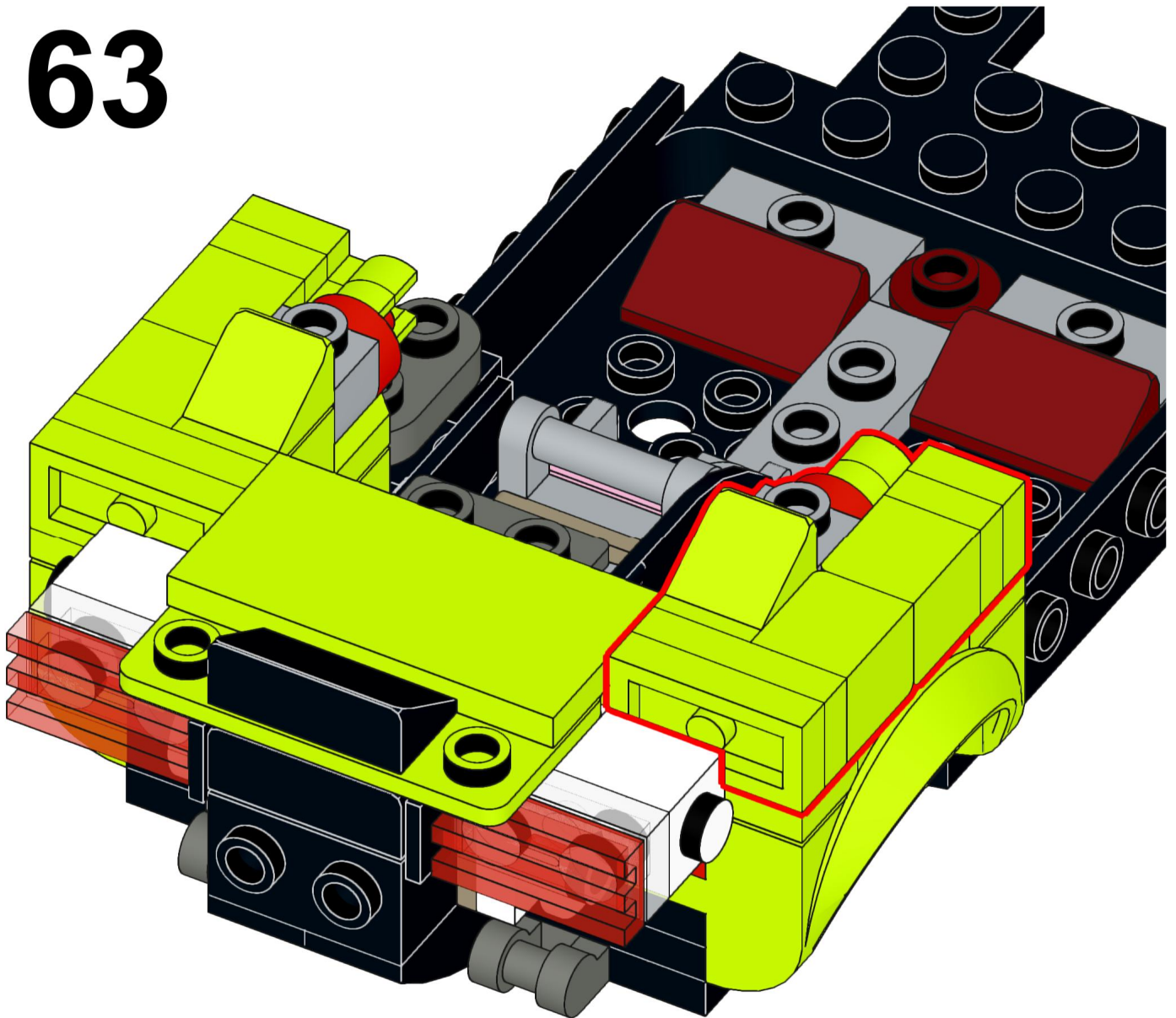
61



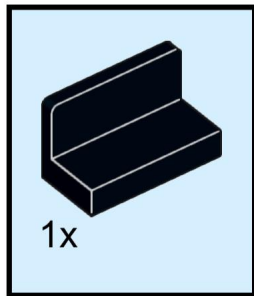
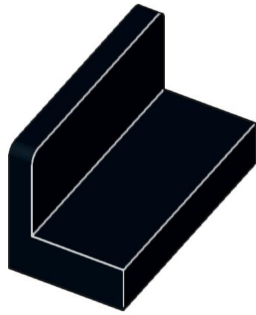
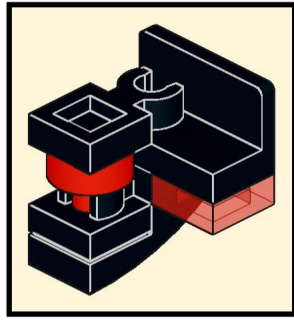
62



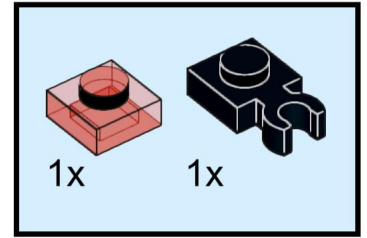
63



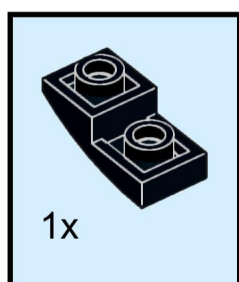
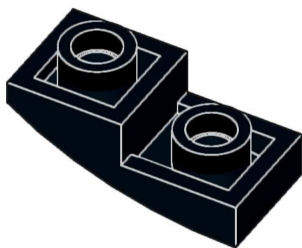
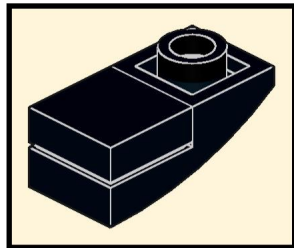
64



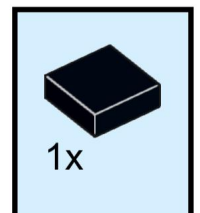
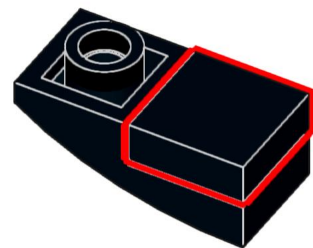
65



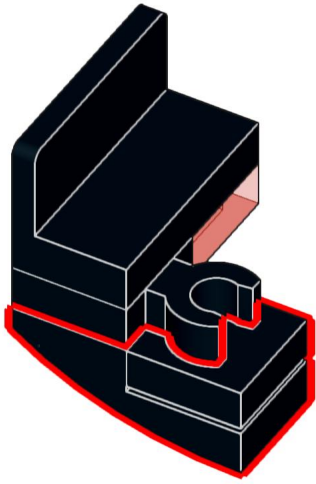
66



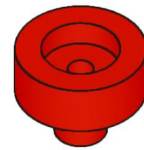
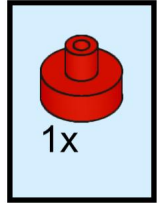
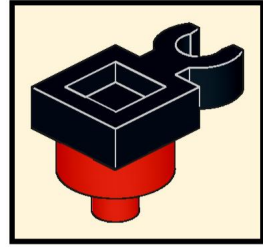
67



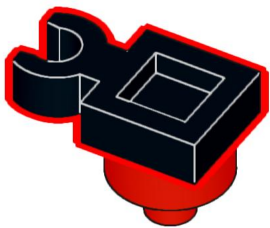
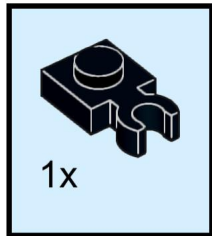
68



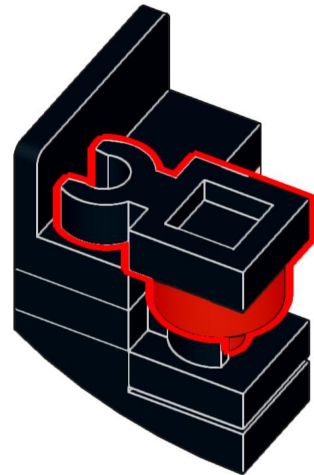
69



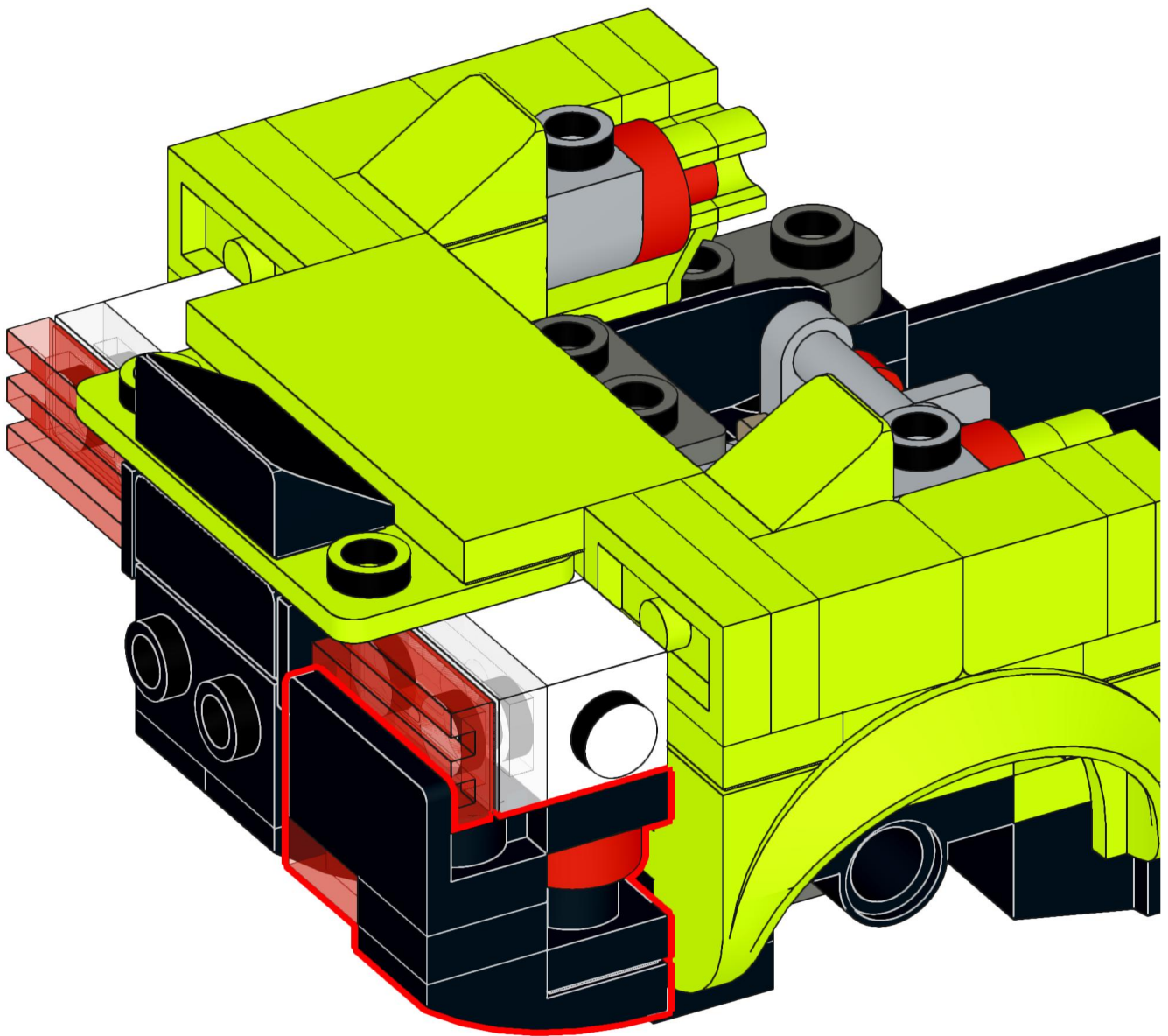
70



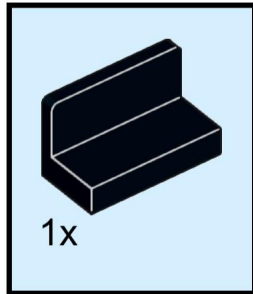
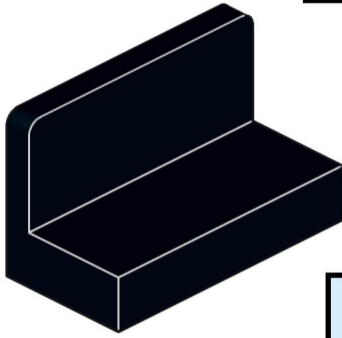
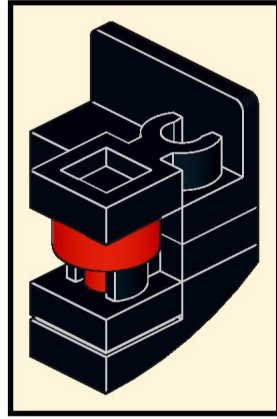
71



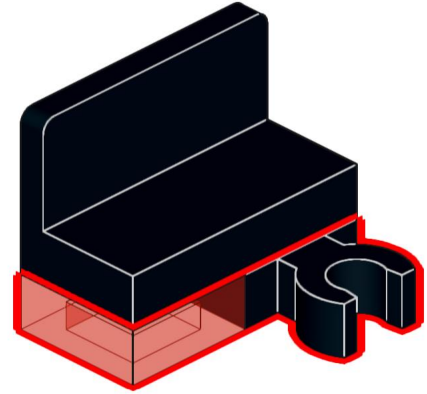
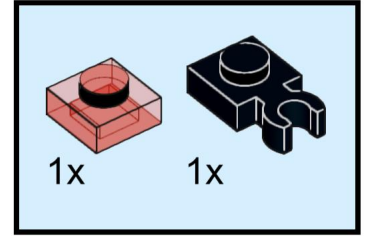
72



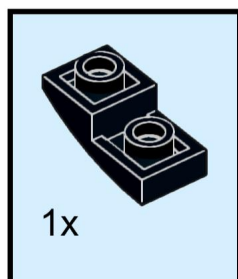
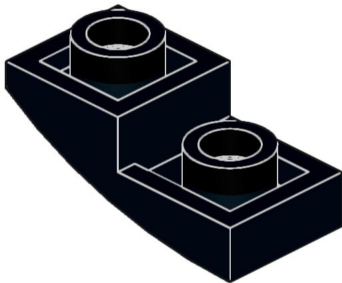
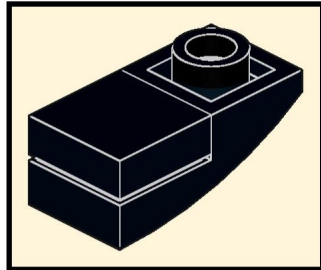
73



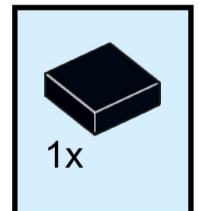
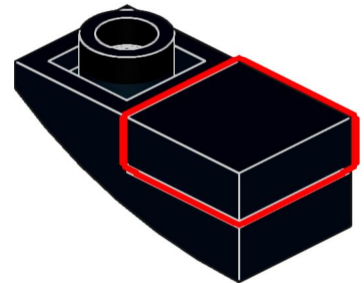
74



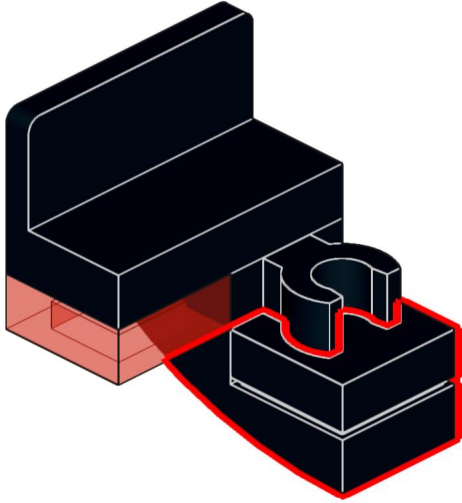
75



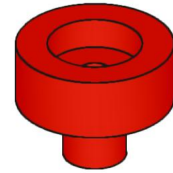
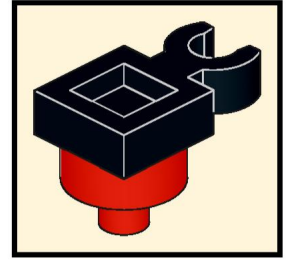
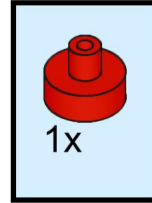
76



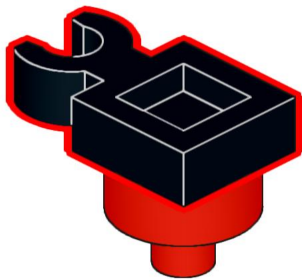
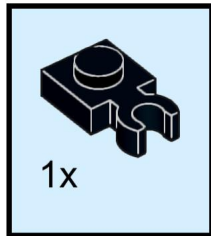
77



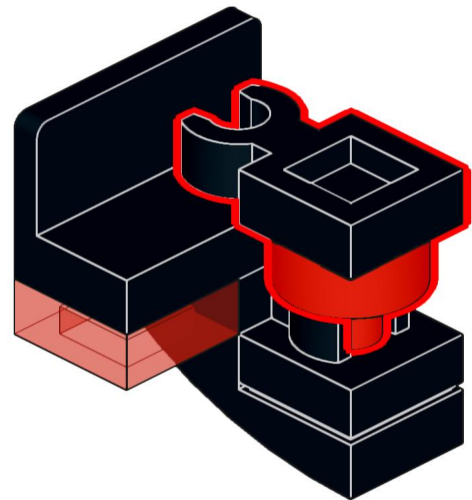
78



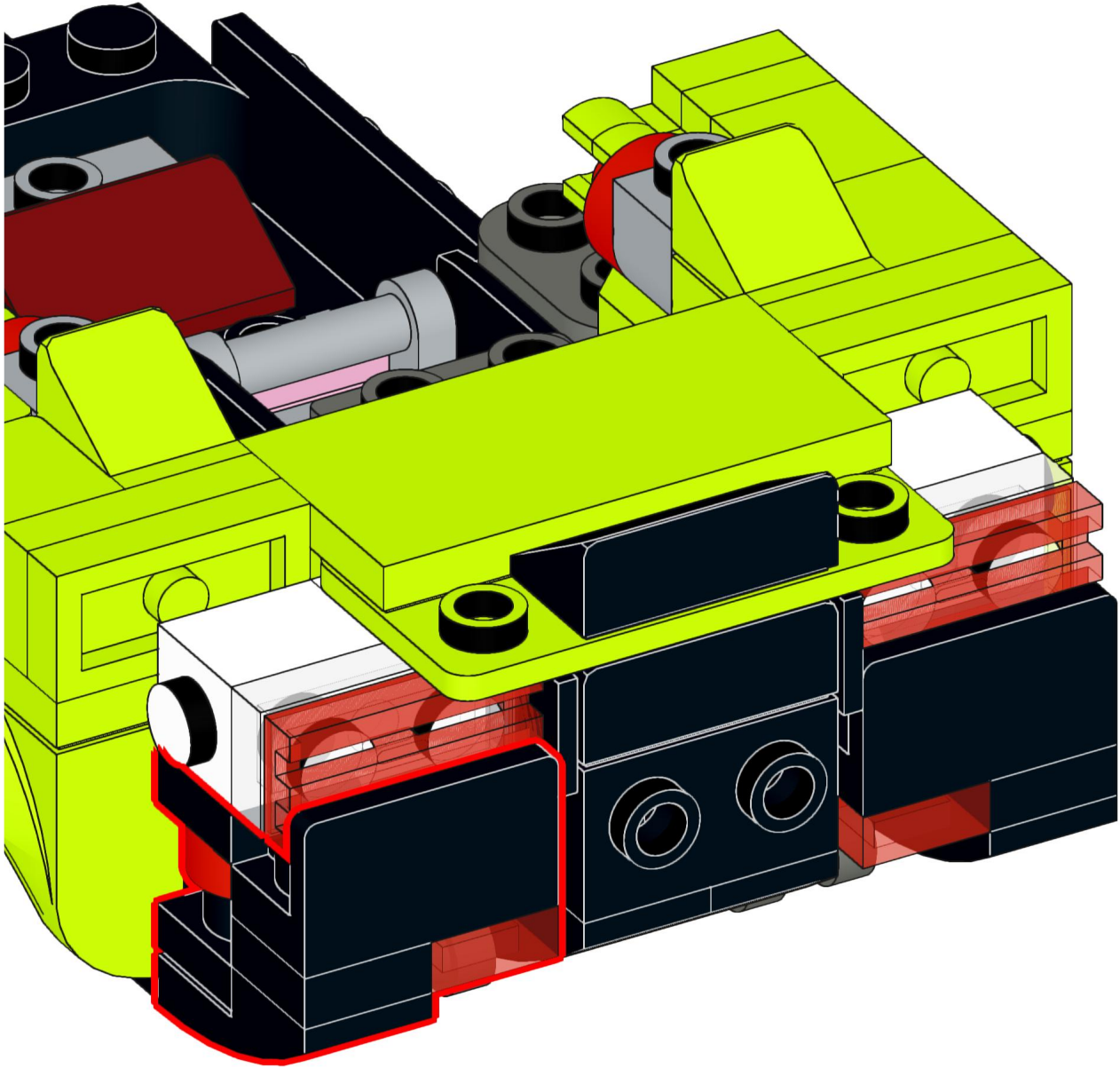
79



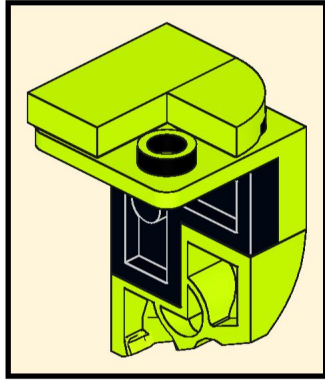
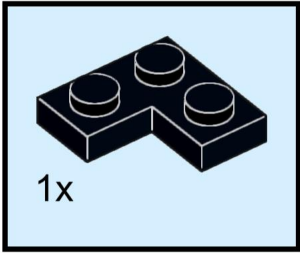
80



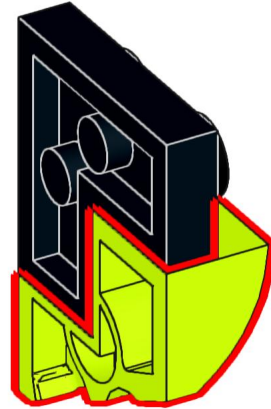
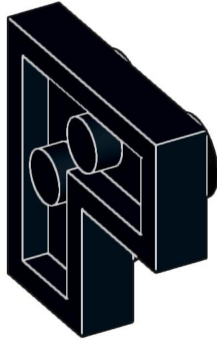
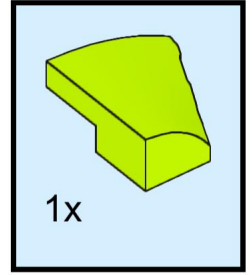
81



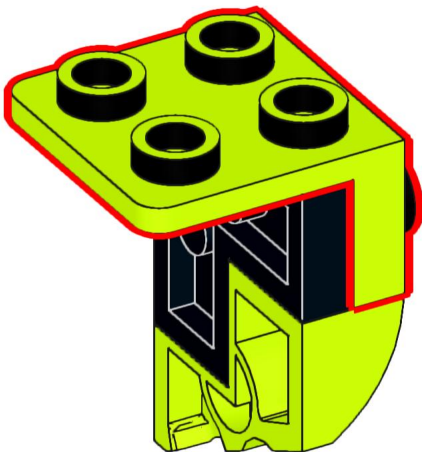
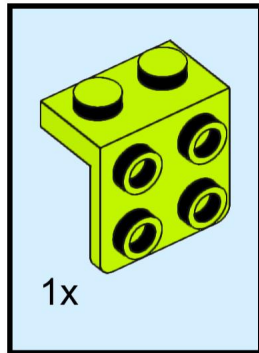
82



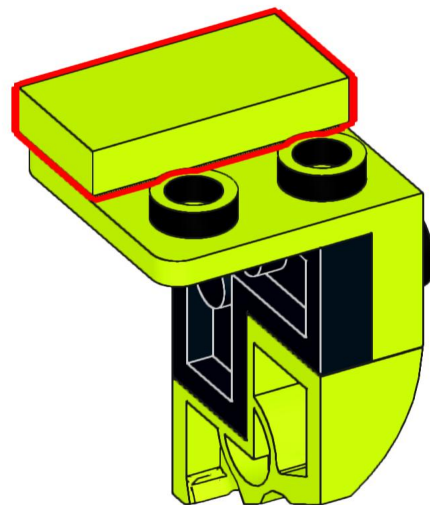
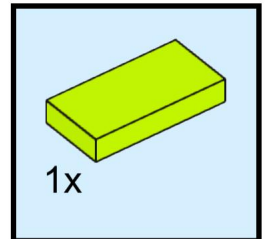
83



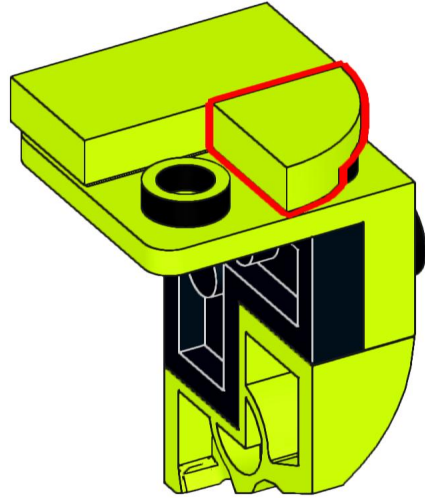
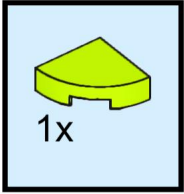
84



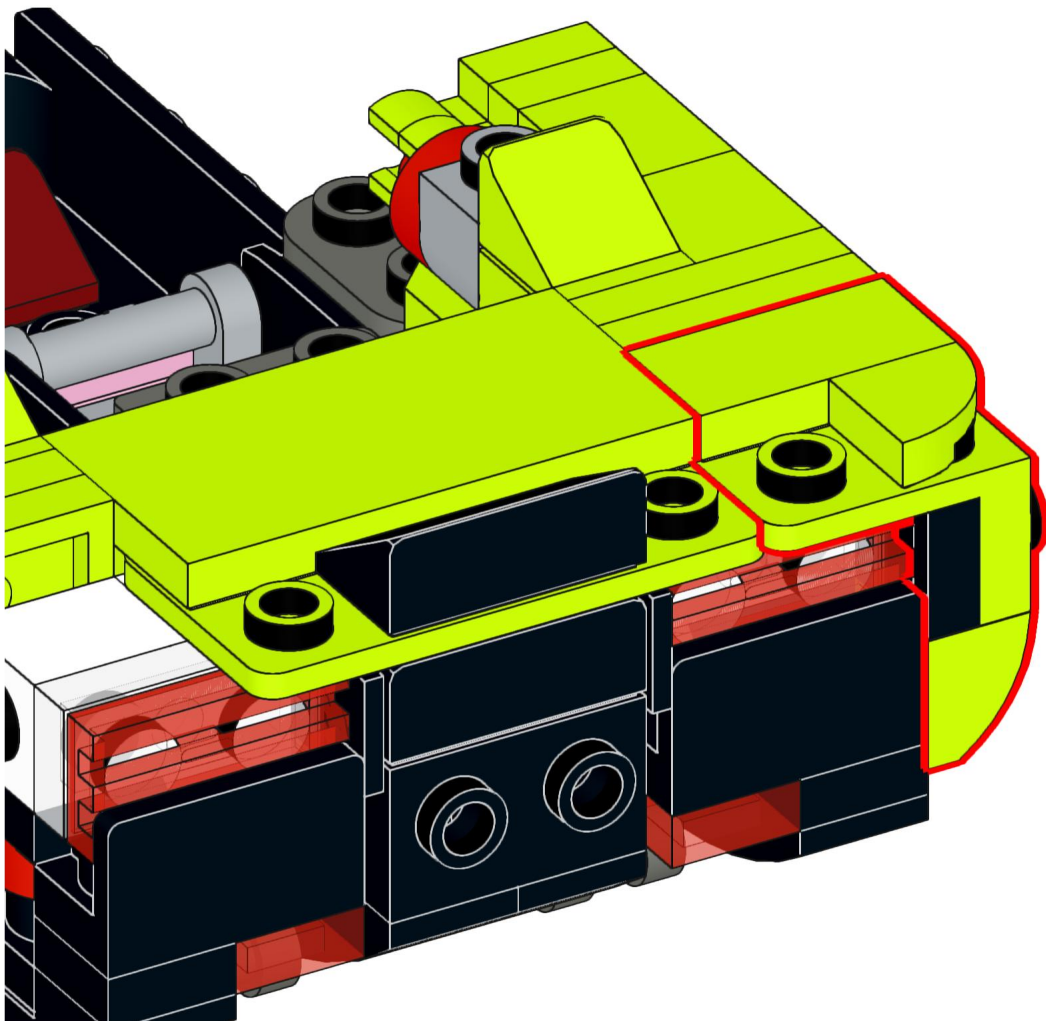
85



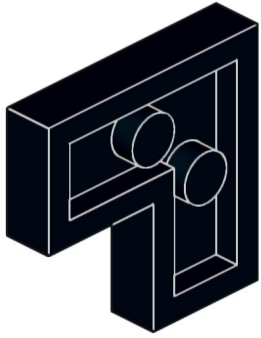
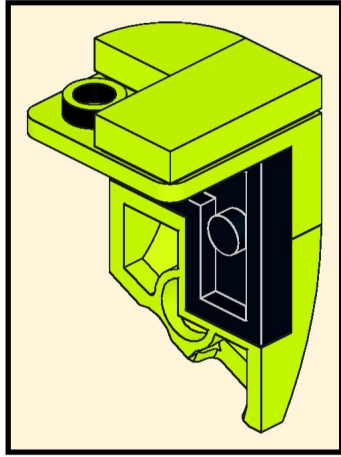
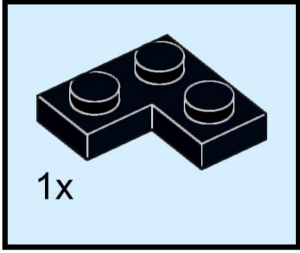
86



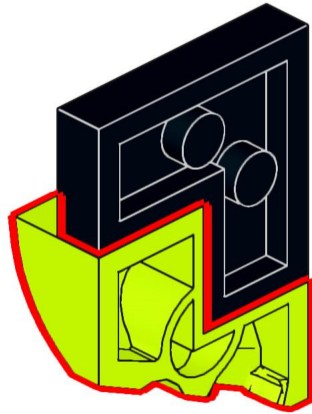
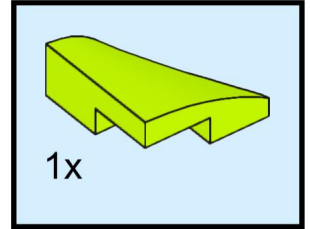
87



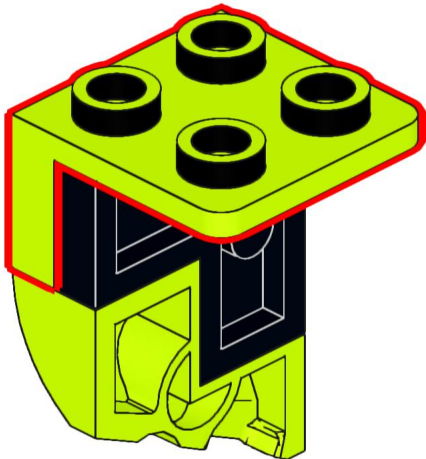
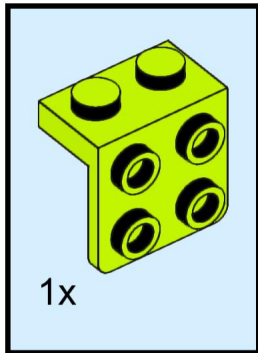
88



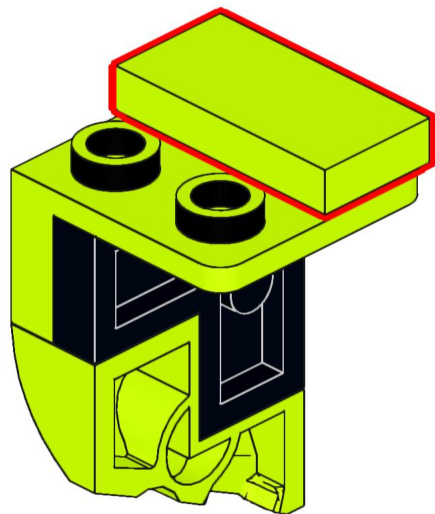
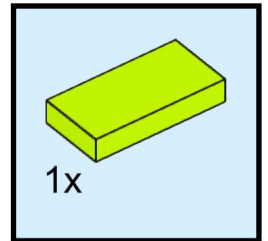
89



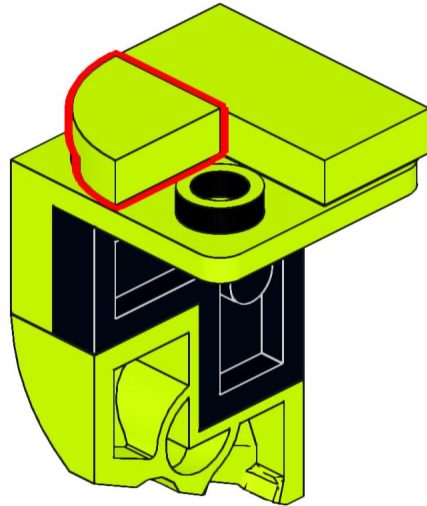
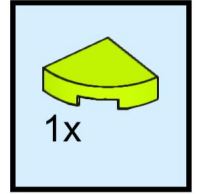
90



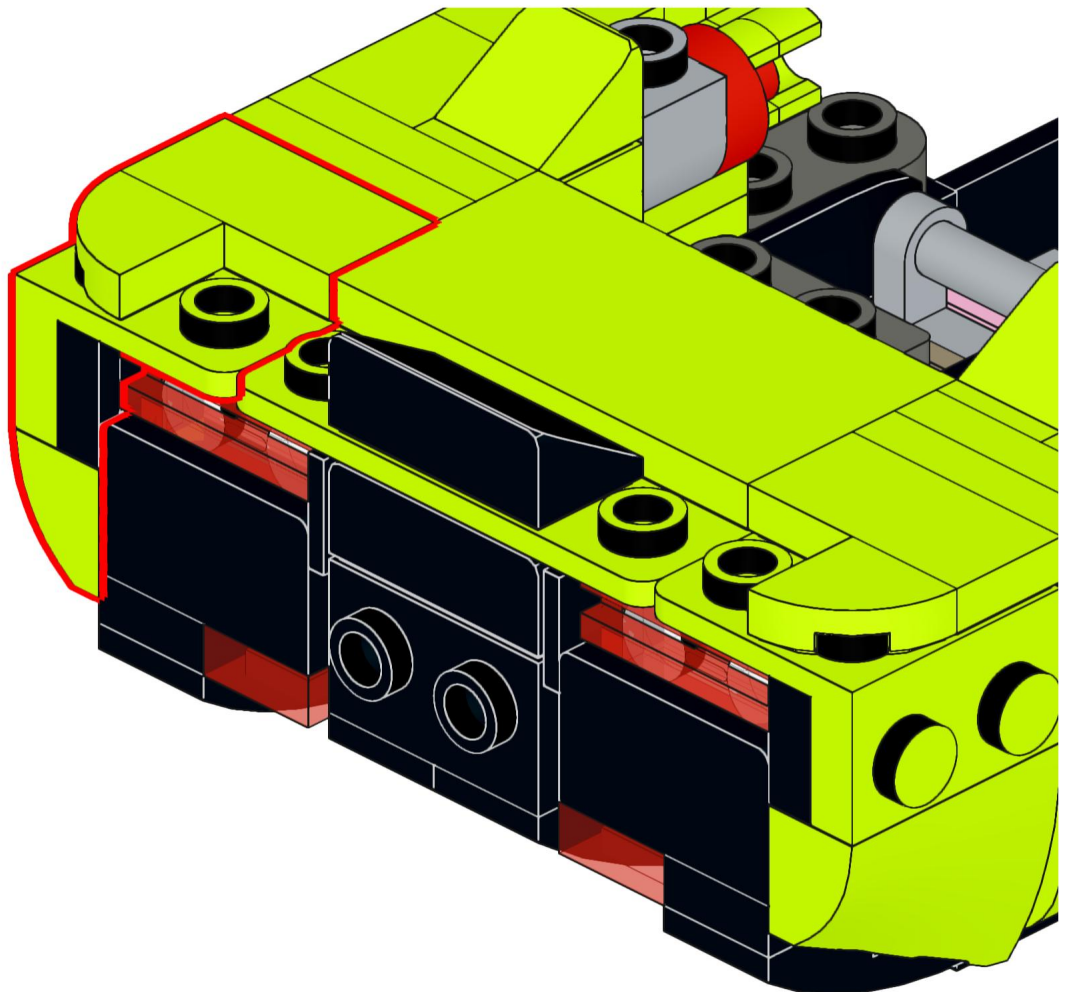
91

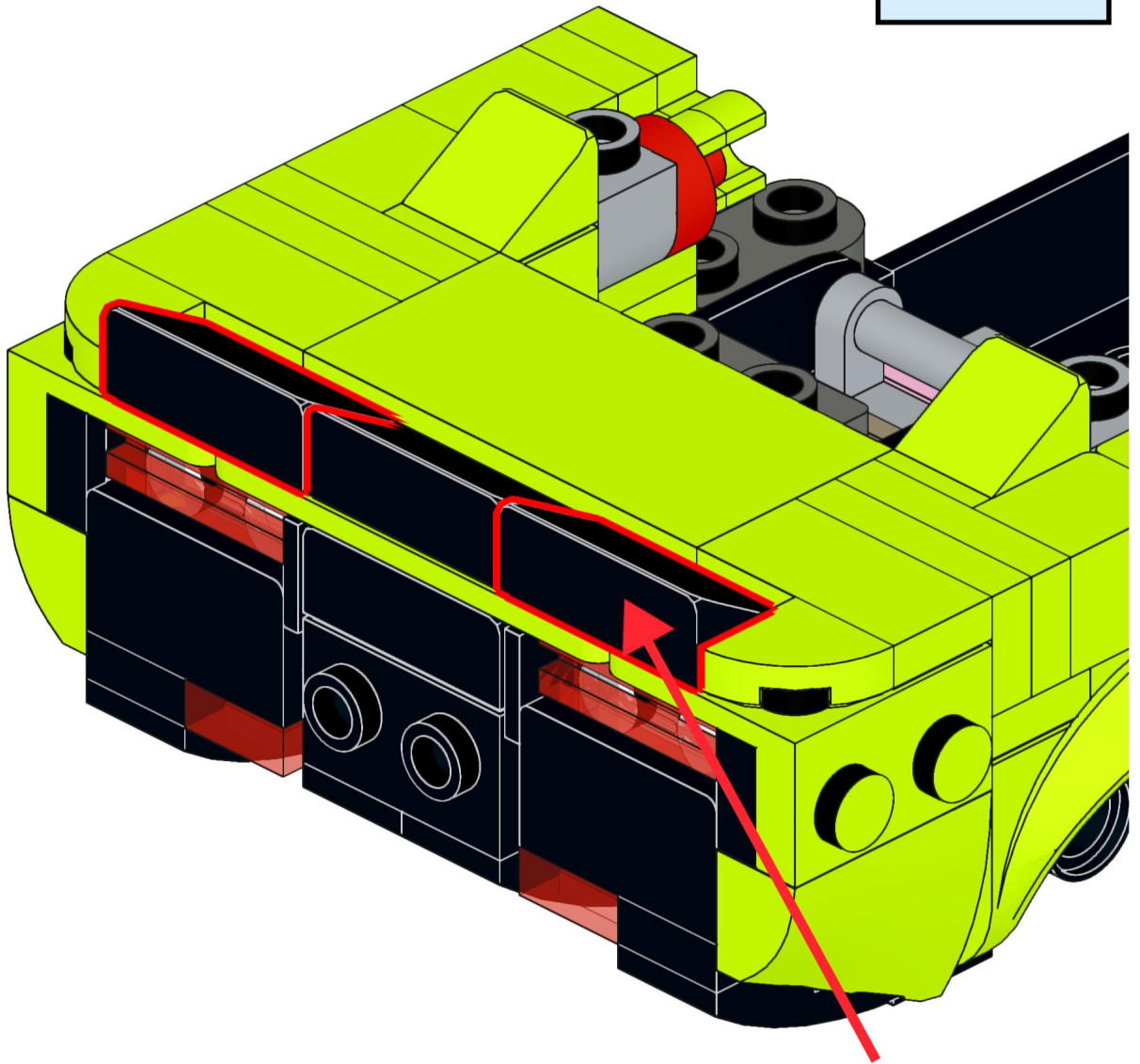
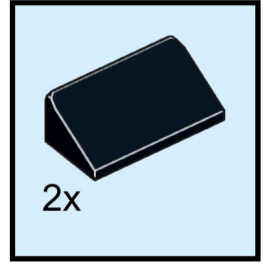


92

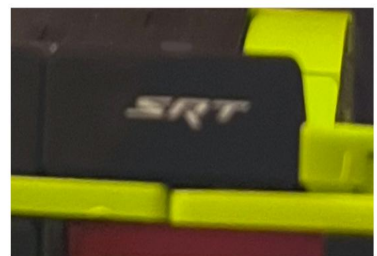


93

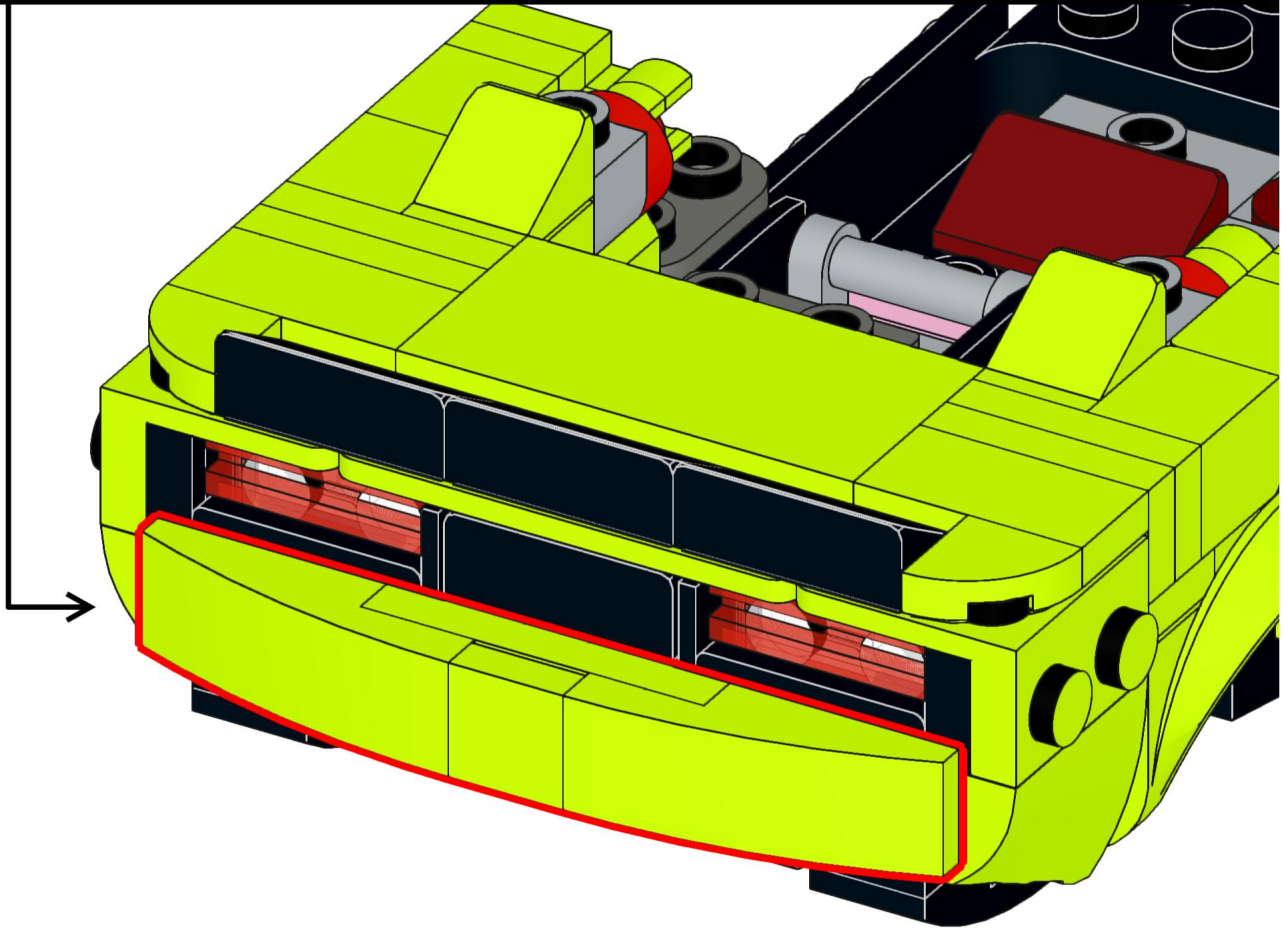
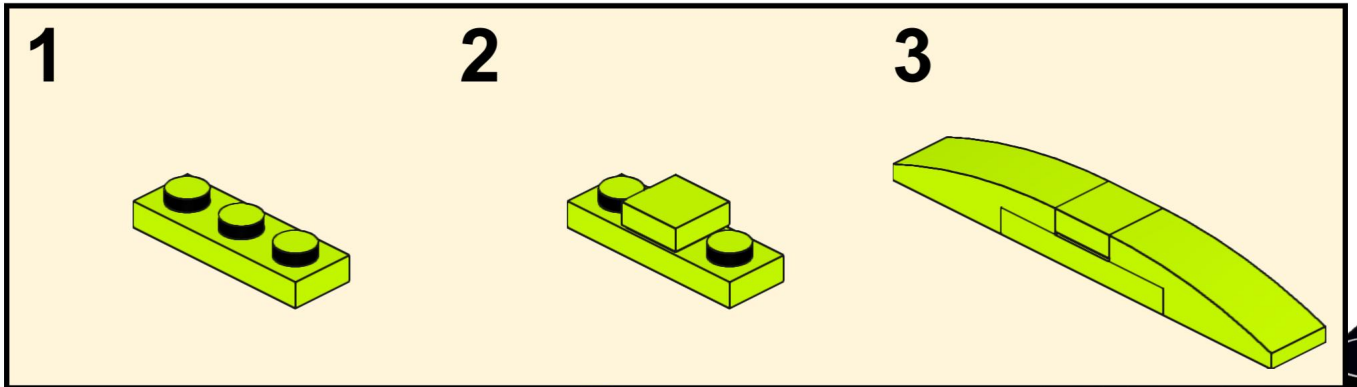
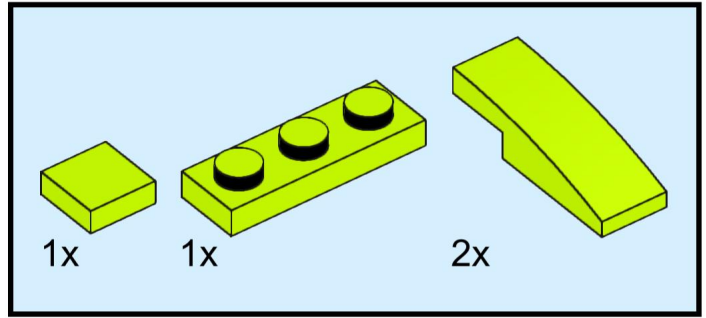




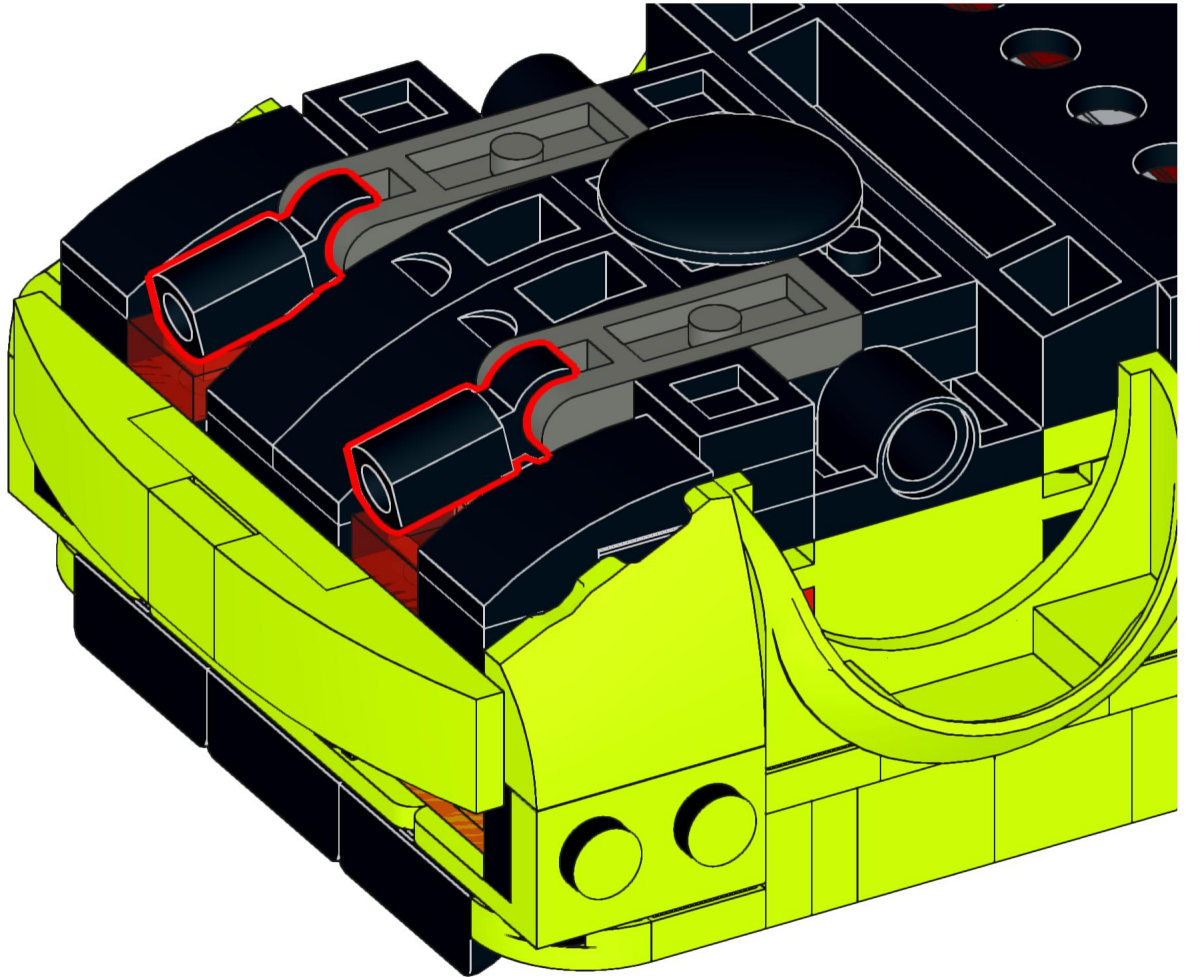
Use the SRT slope piece



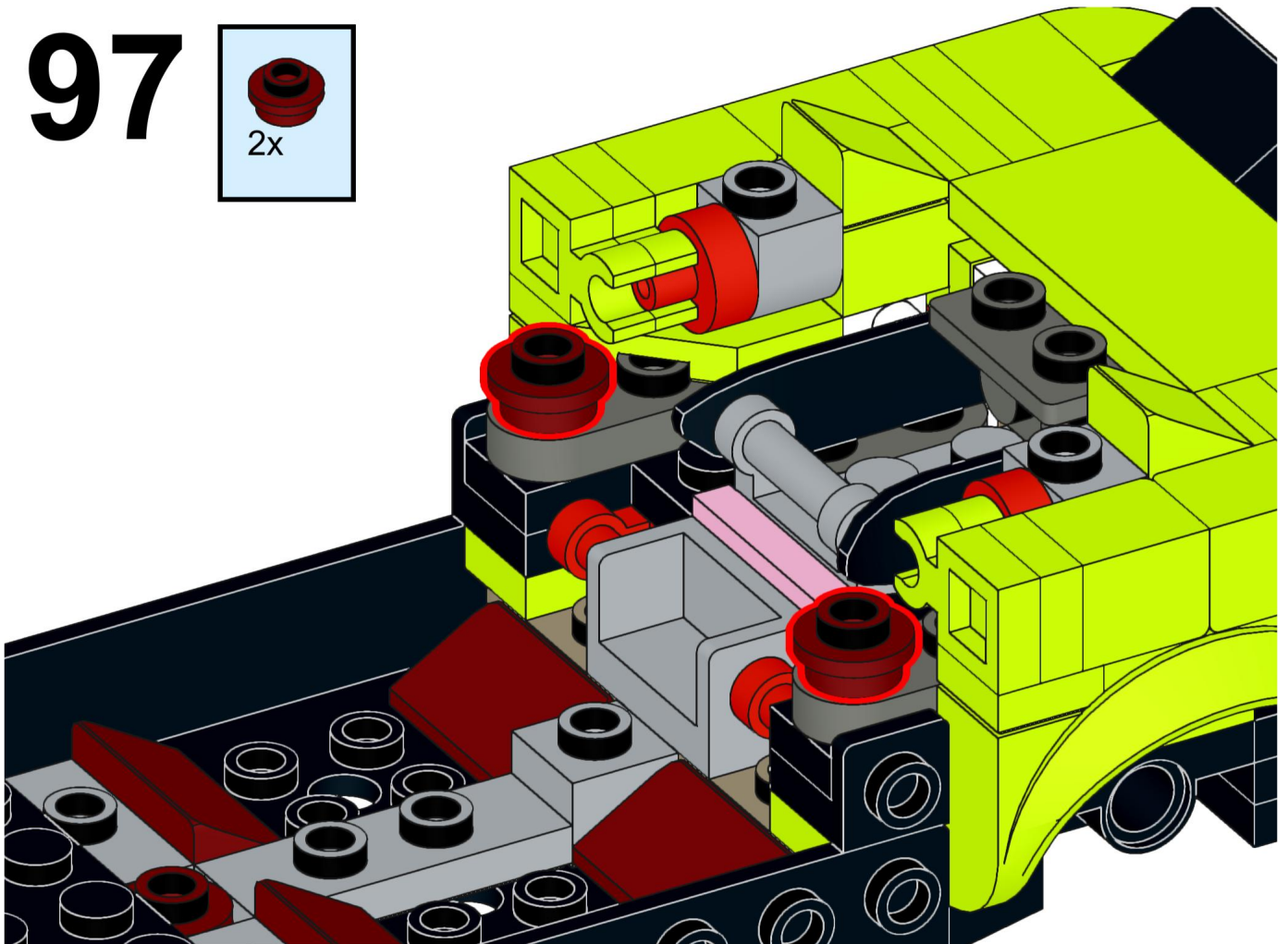
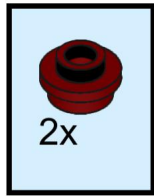
95



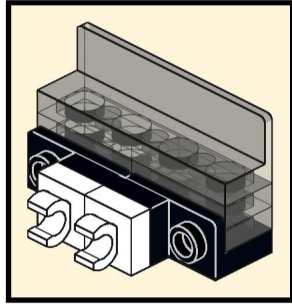
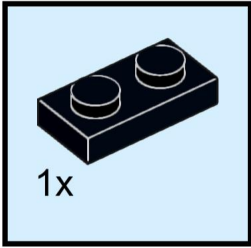
96



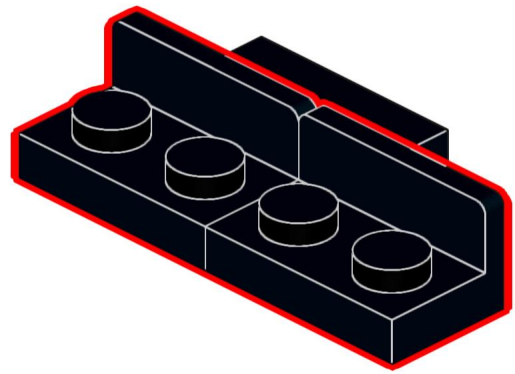
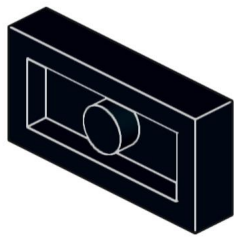
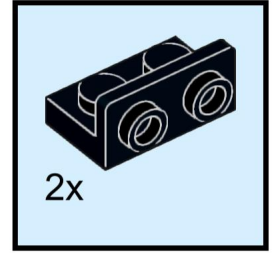
97



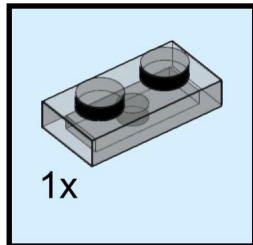
98



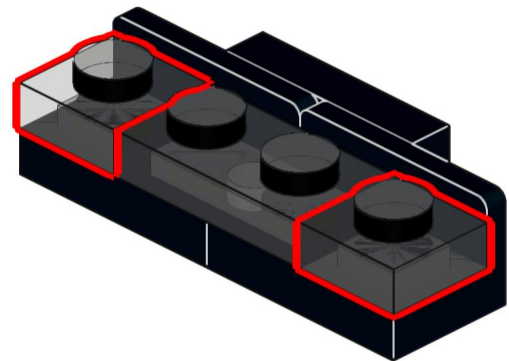
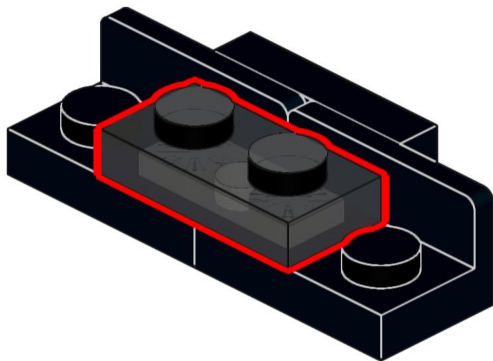
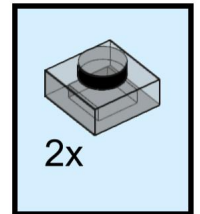
99



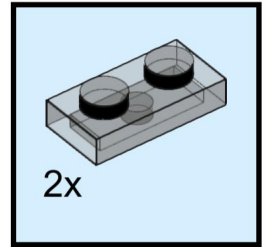
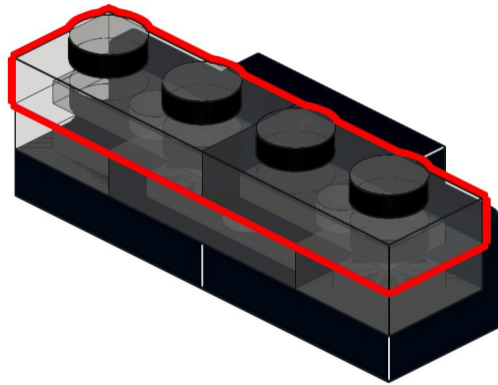
100



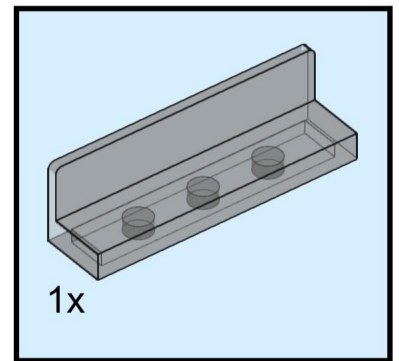
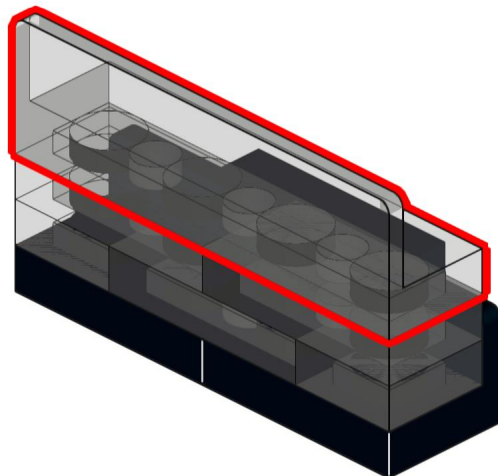
101



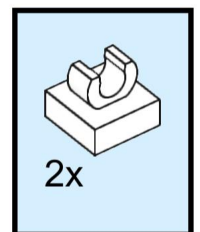
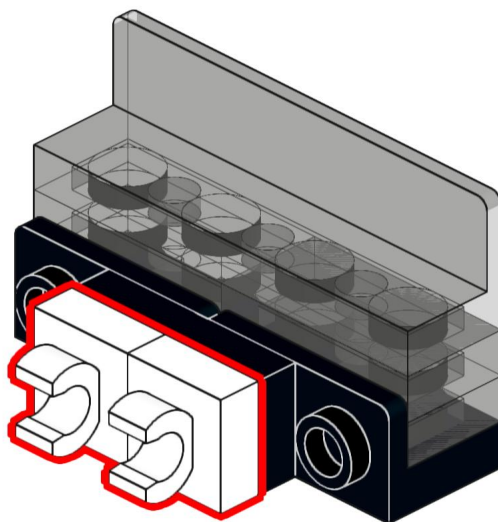
102



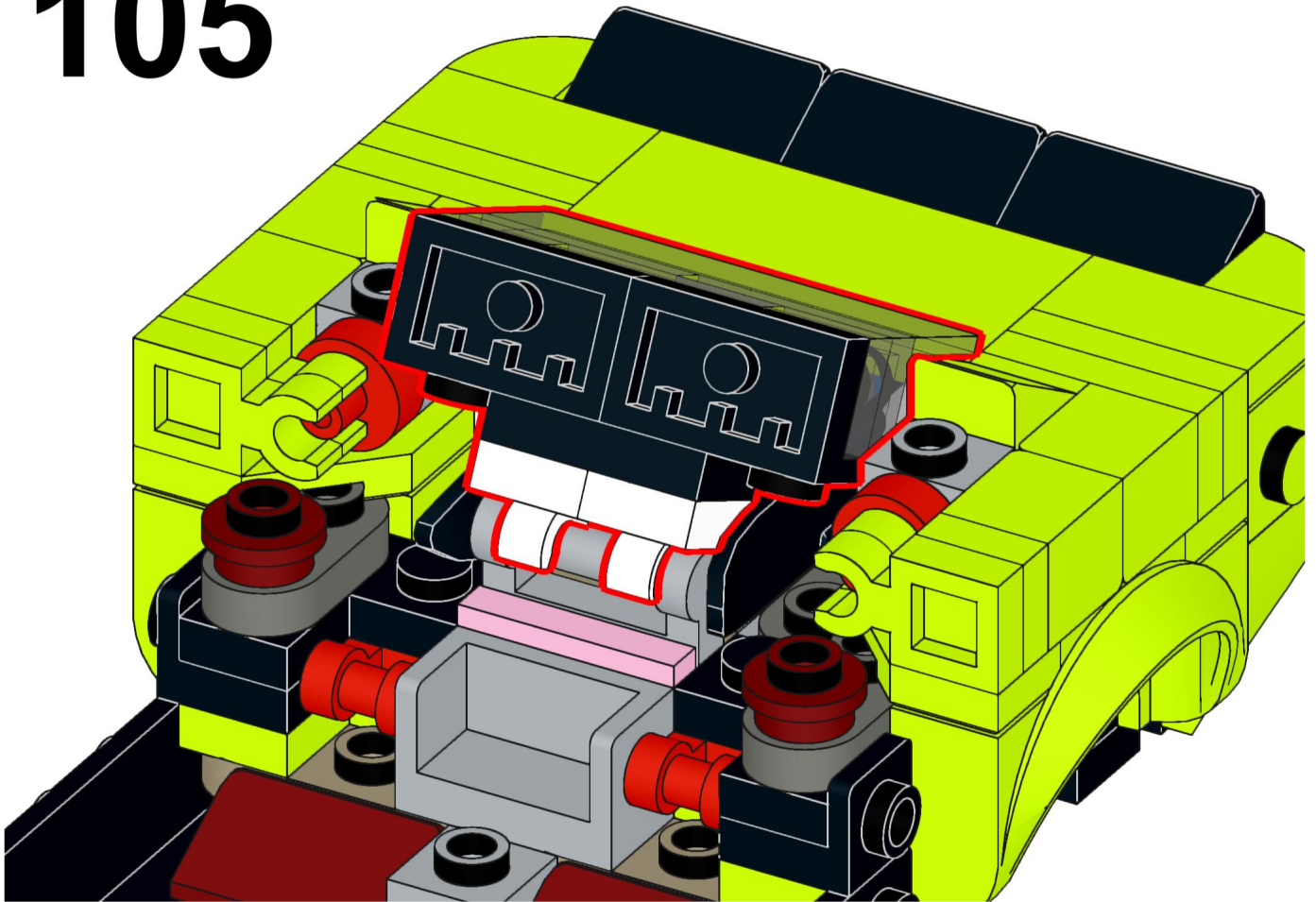
103



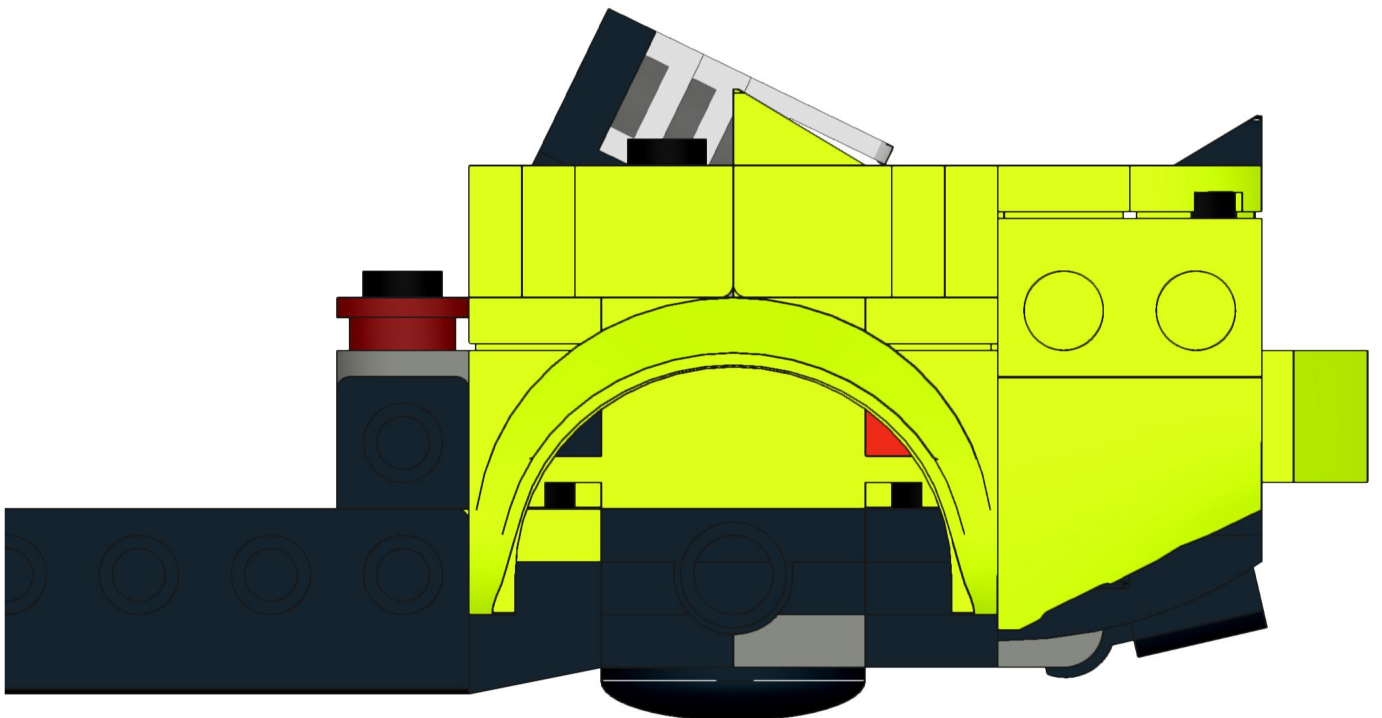
104



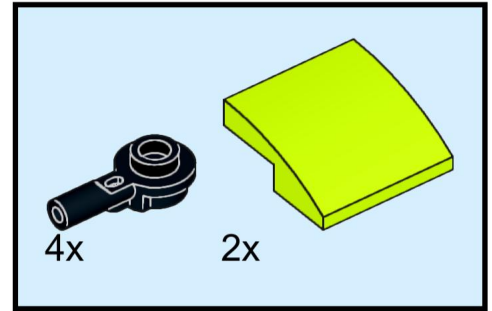
105



106

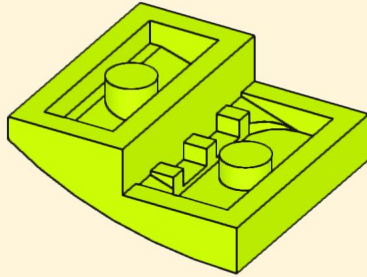


107

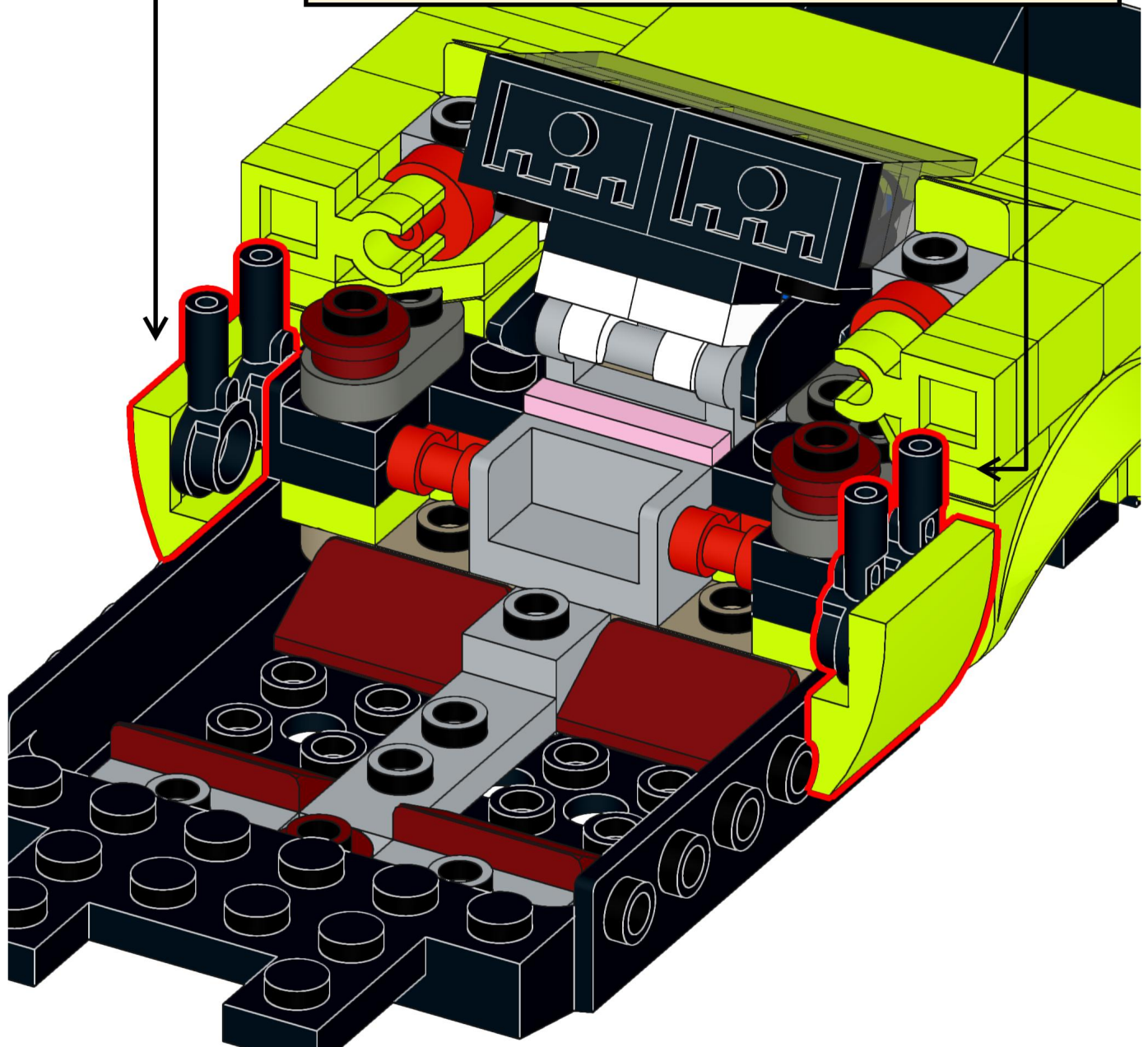
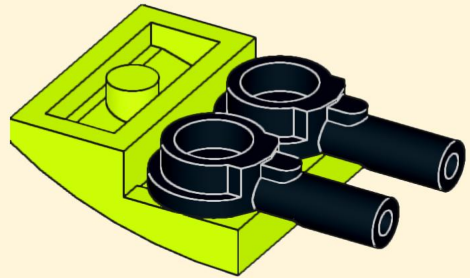


2x

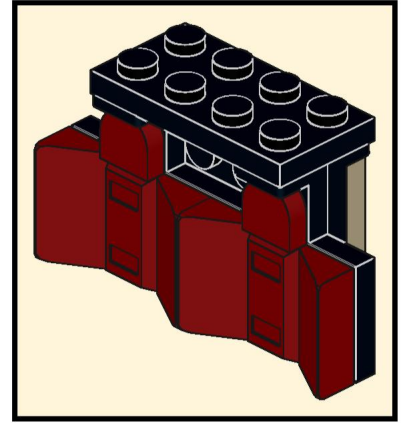
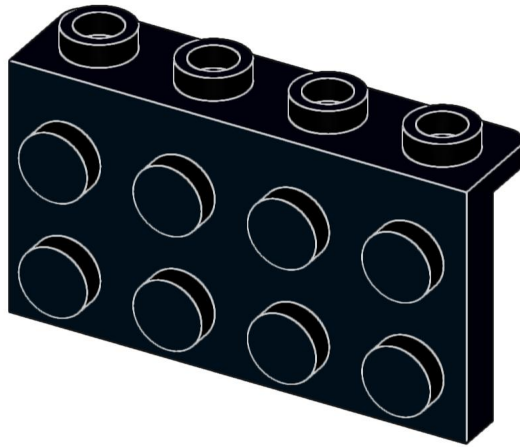
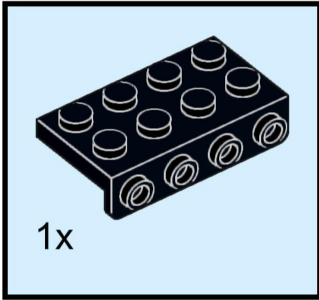
1



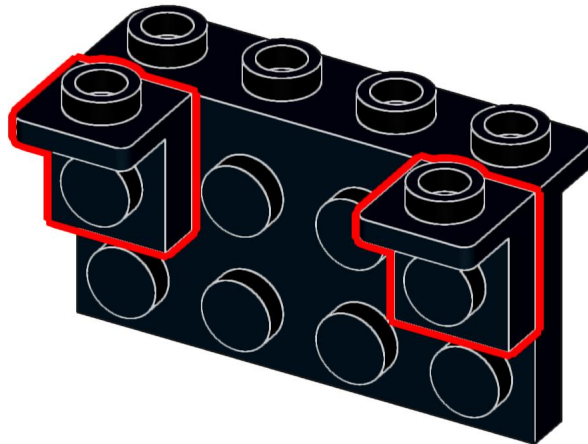
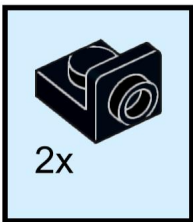
2



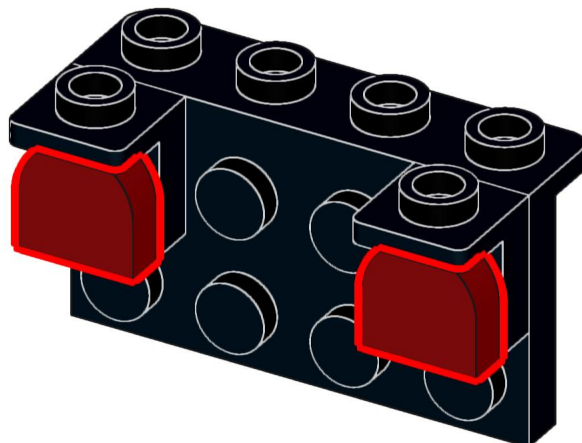
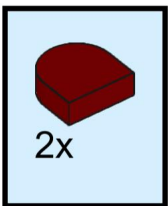
108



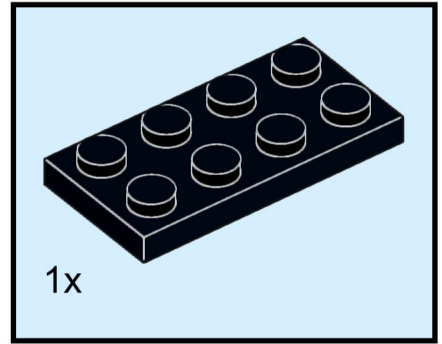
109



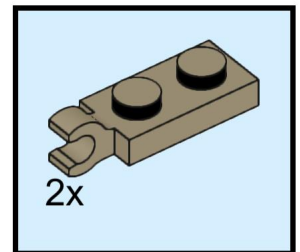
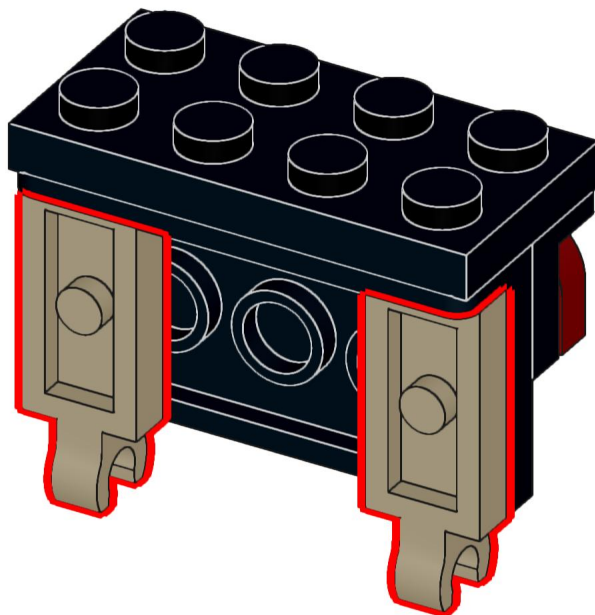
110



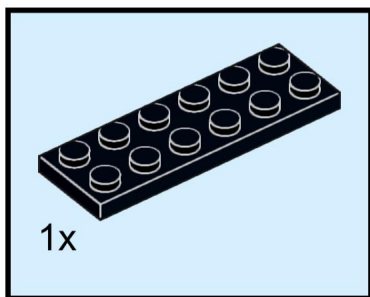
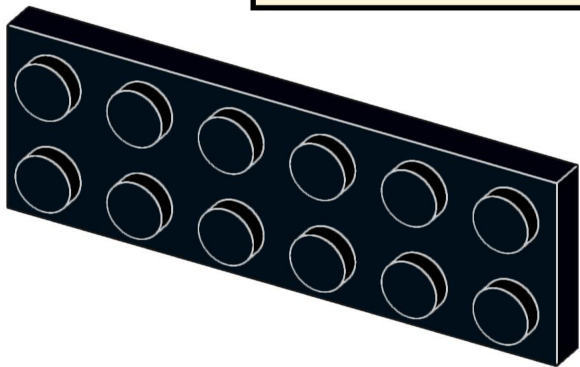
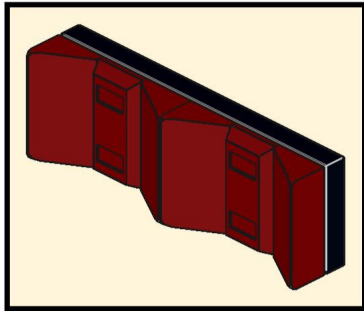
111



112

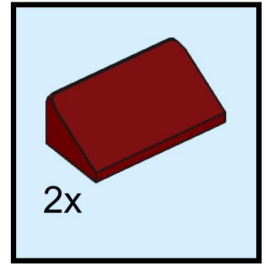


113

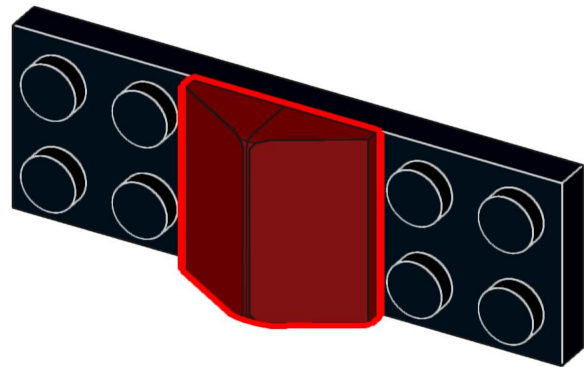


1x

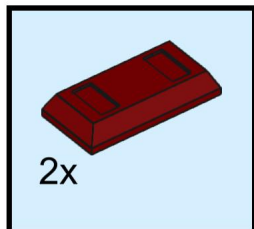
114



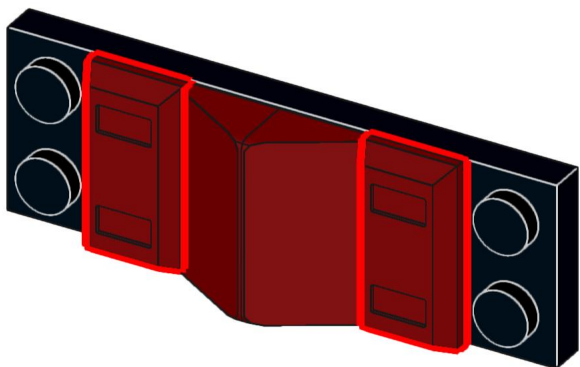
2x



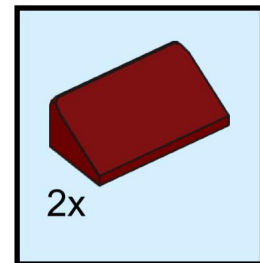
115



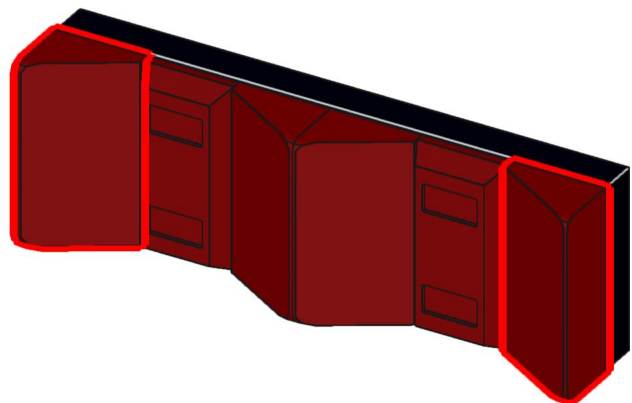
2x



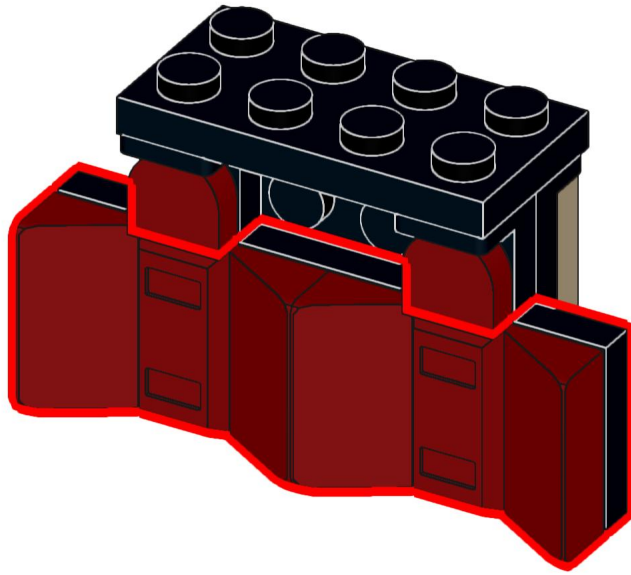
116



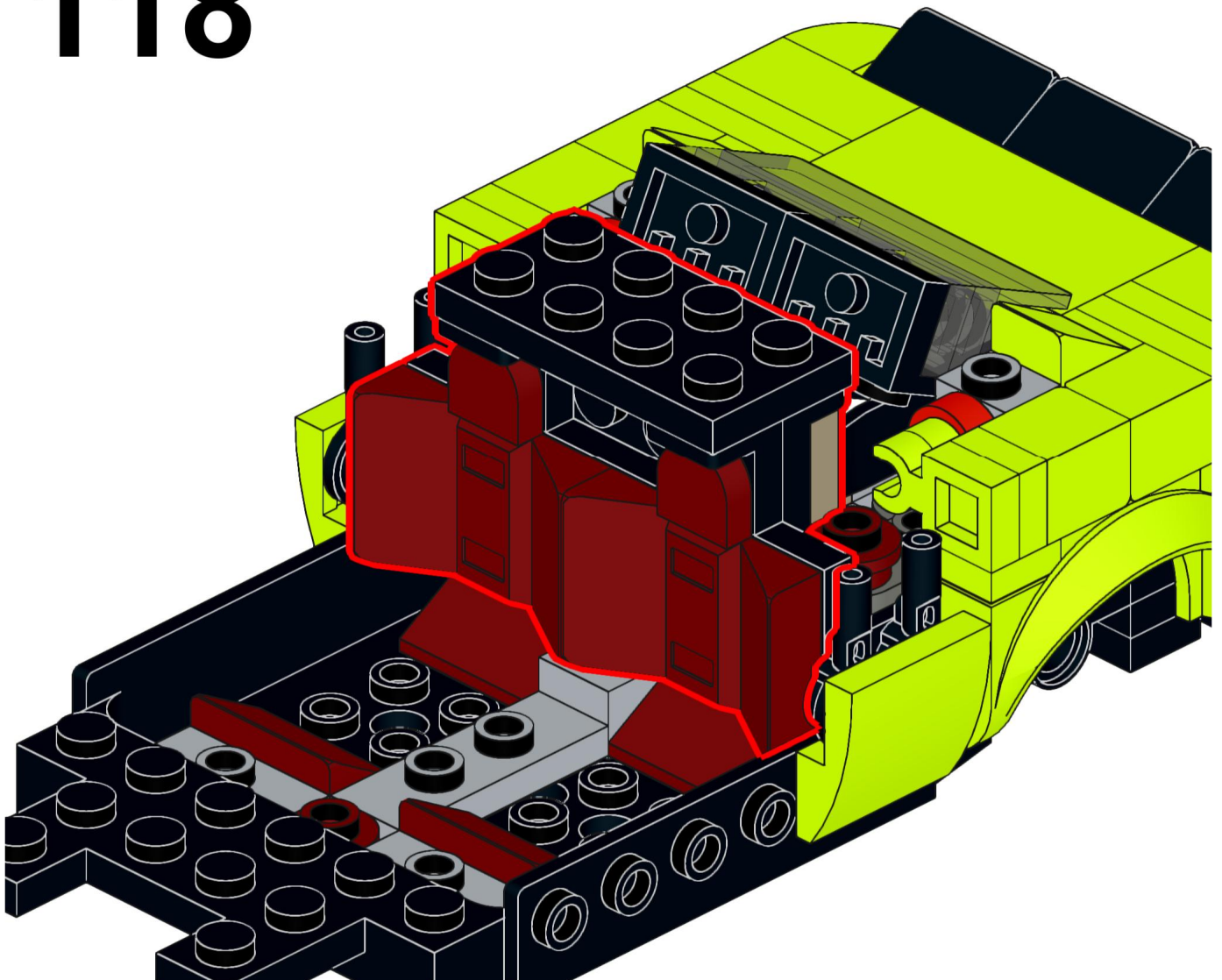
2x



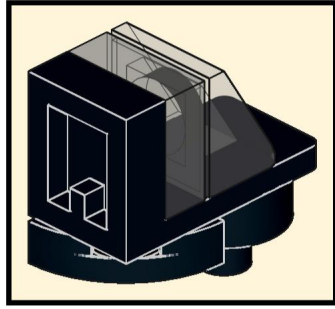
117



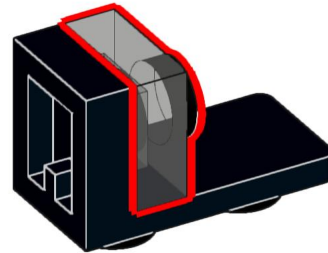
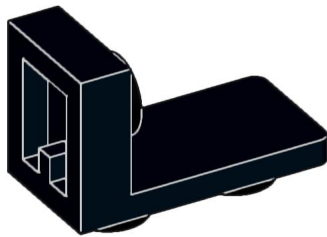
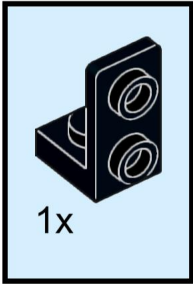
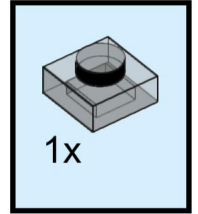
118



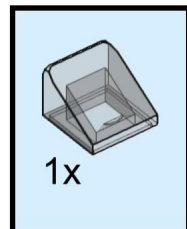
119



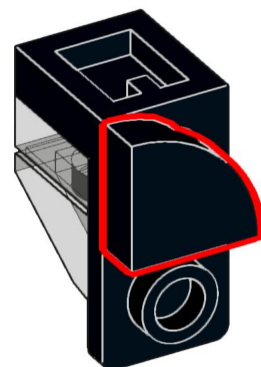
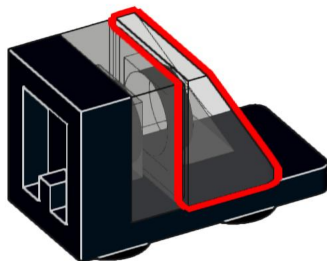
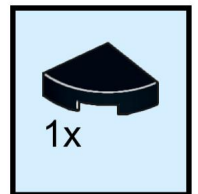
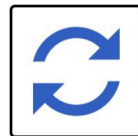
120



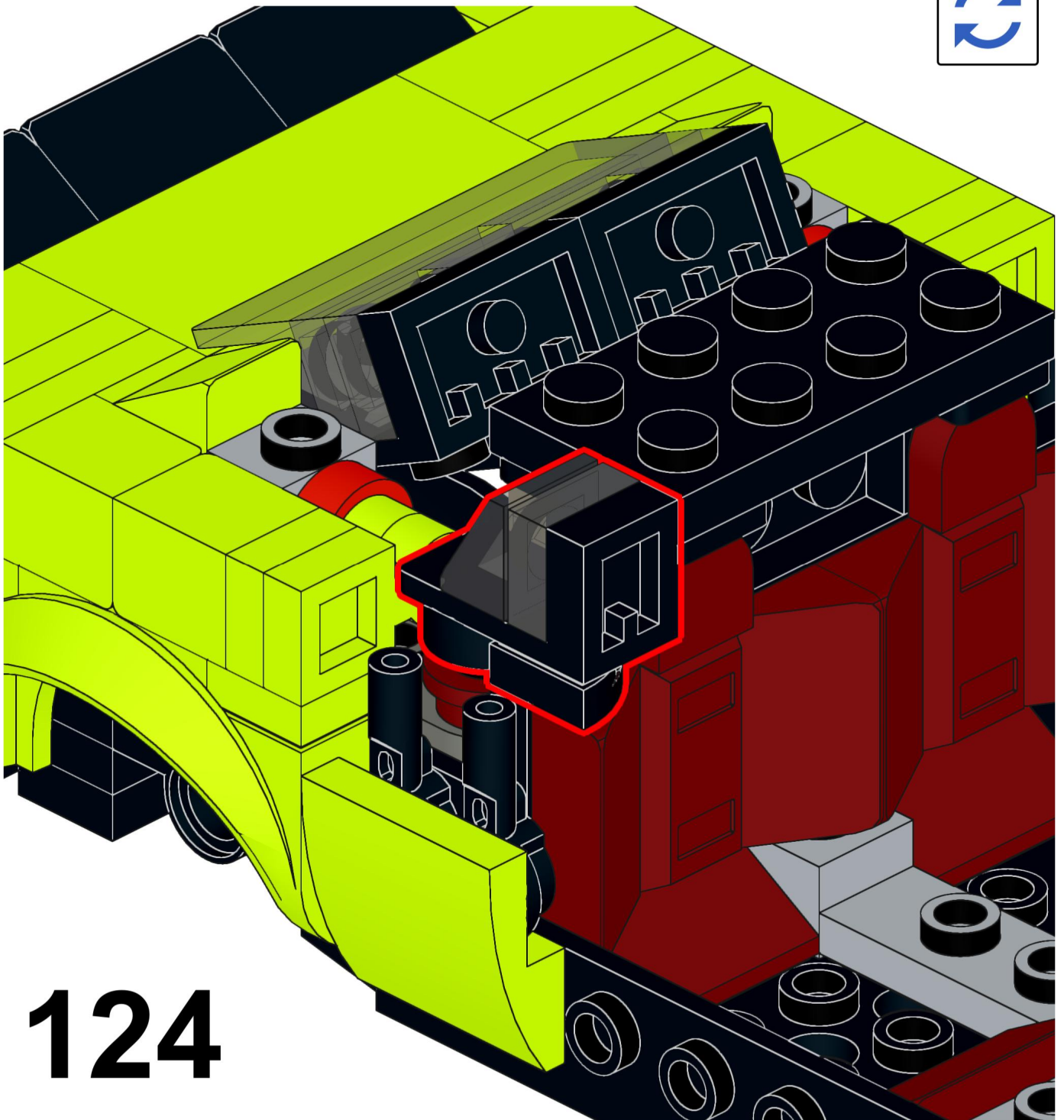
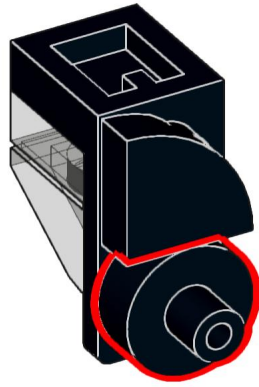
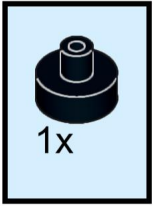
121



122

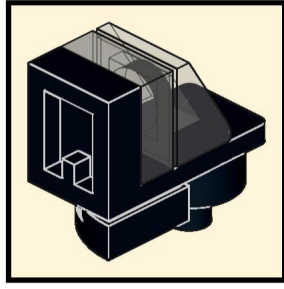


123

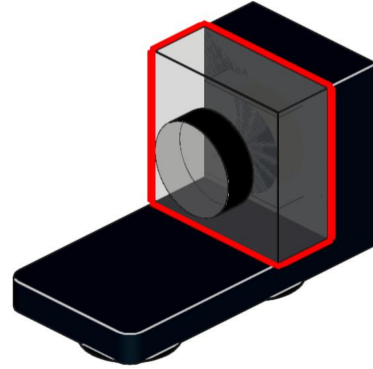
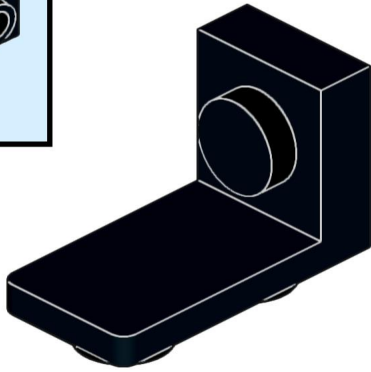
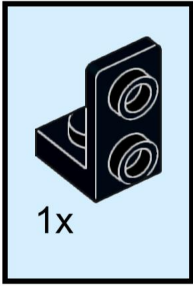
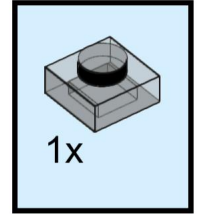


124

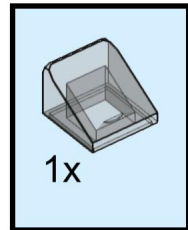
125



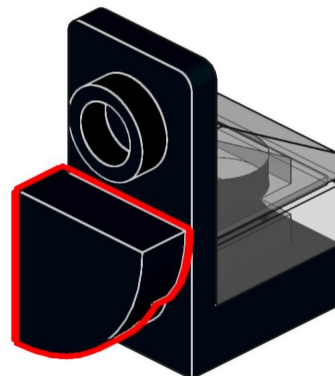
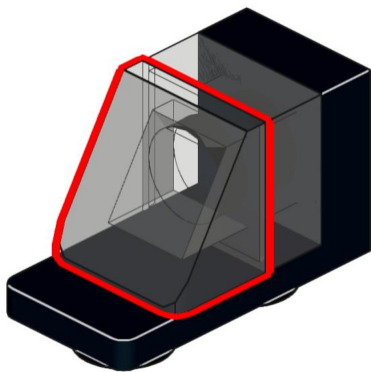
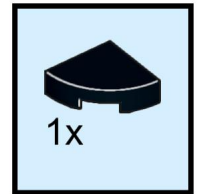
126



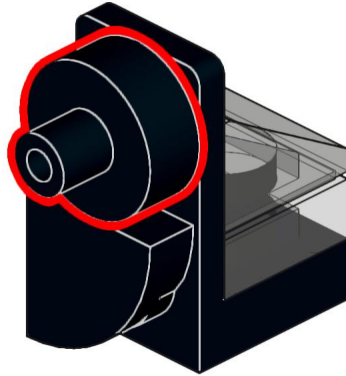
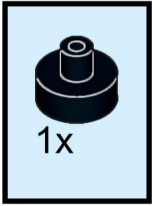
127



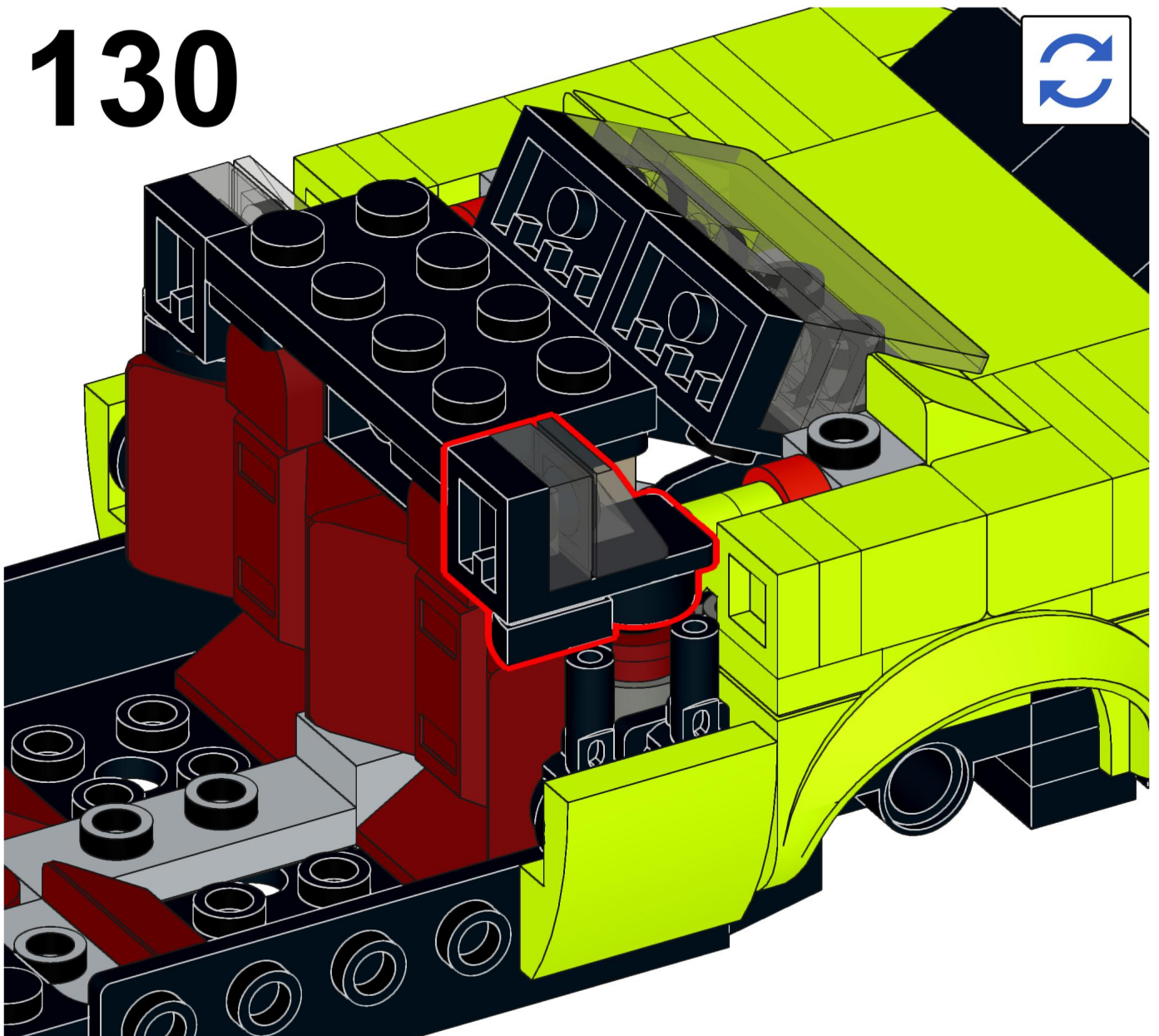
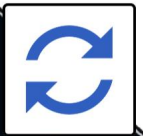
128



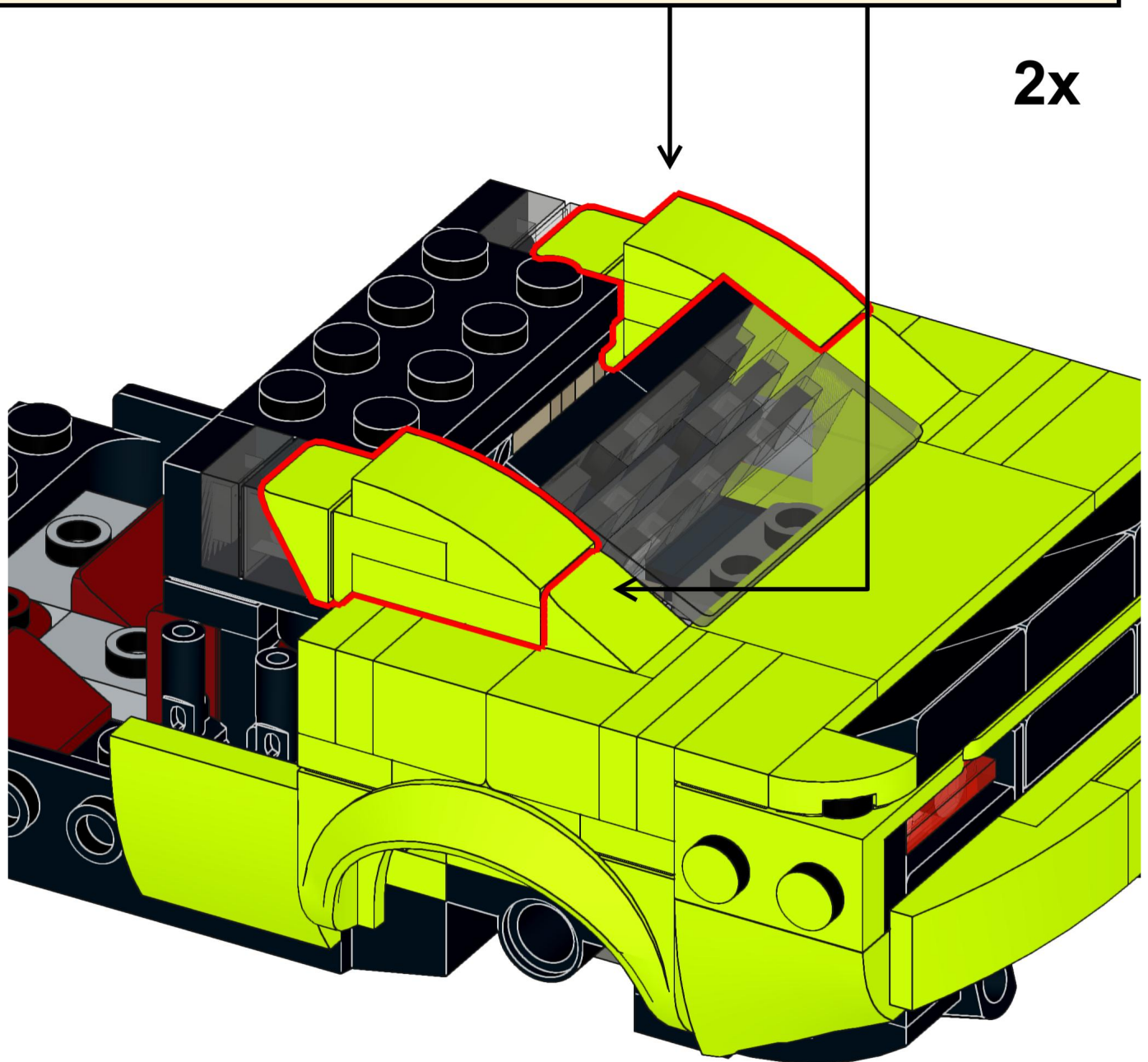
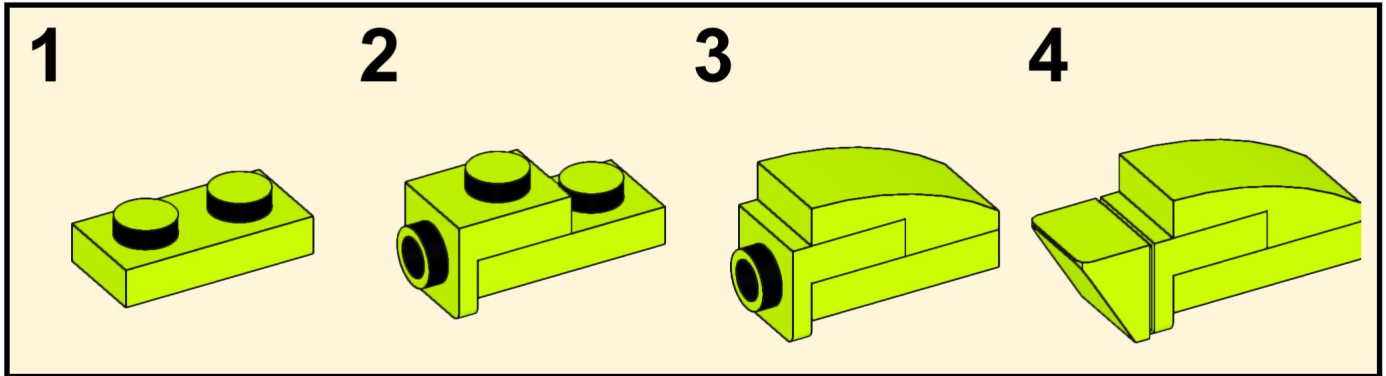
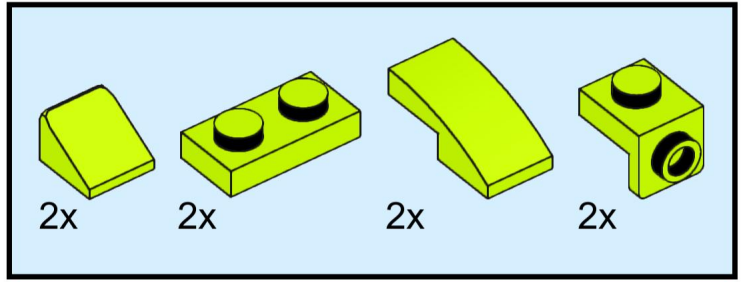
129



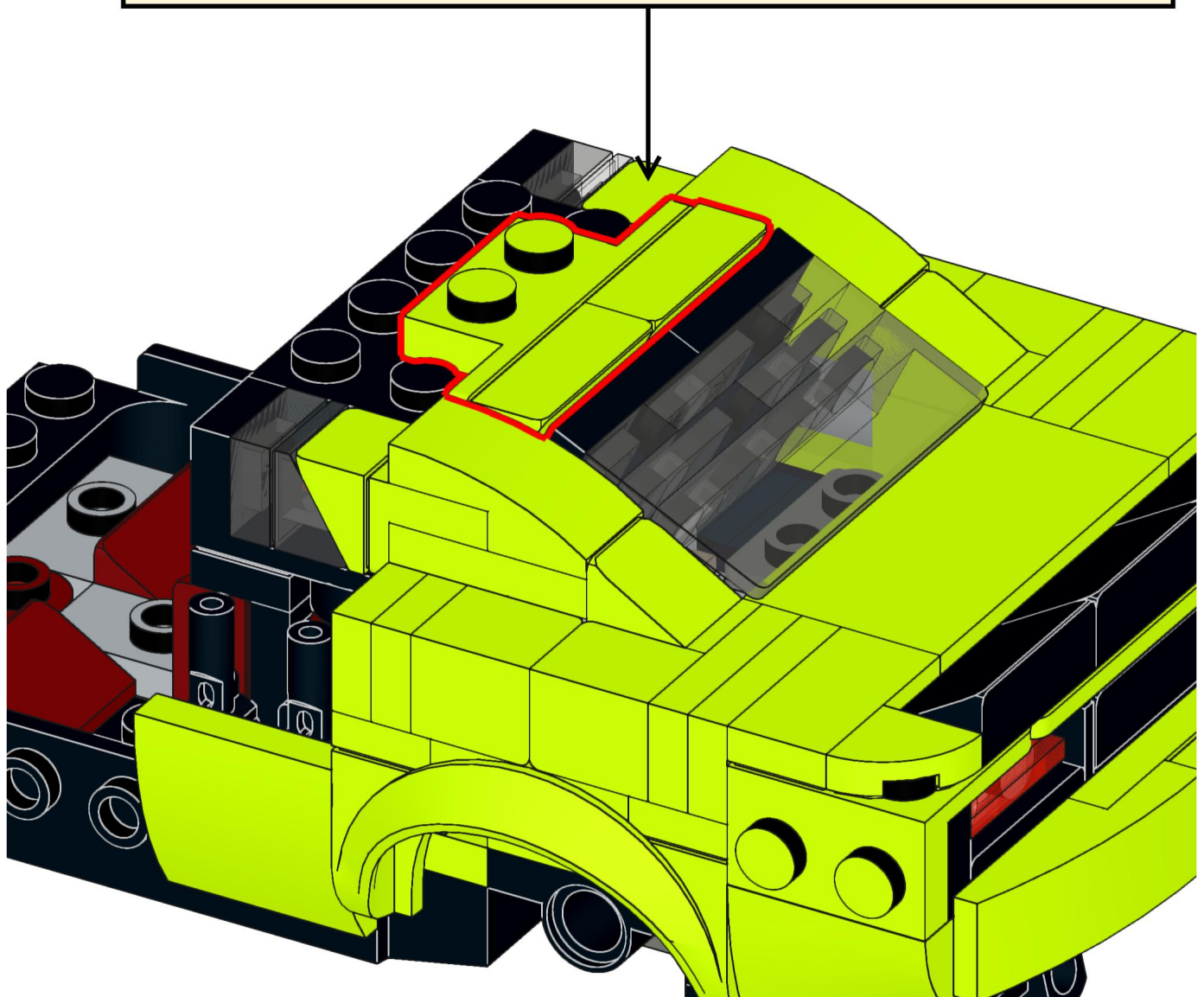
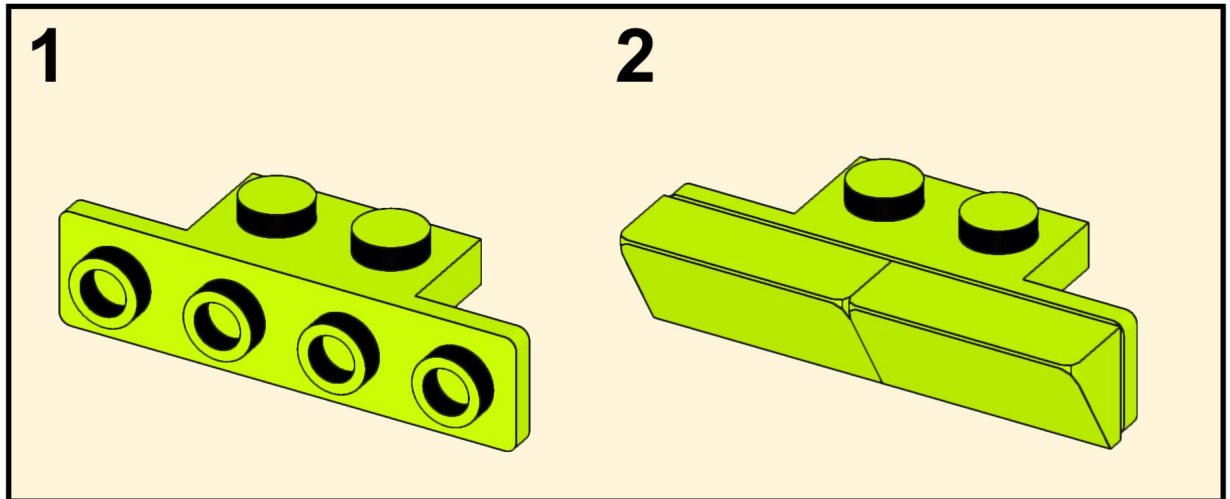
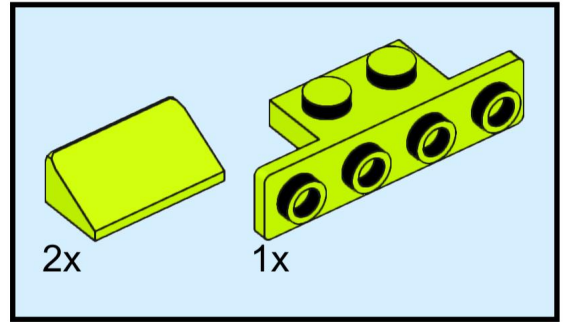
130



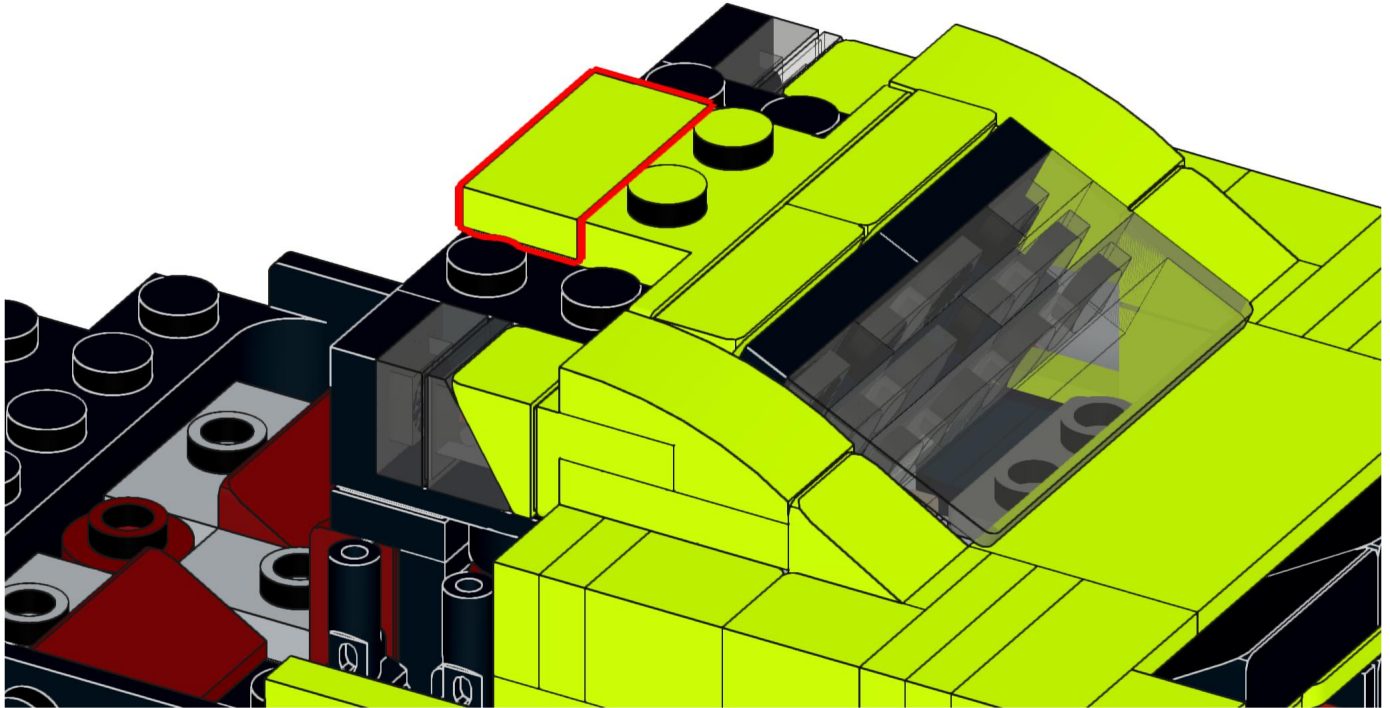
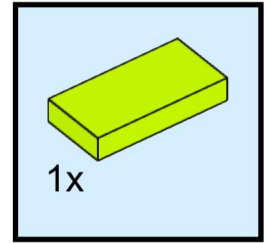
131



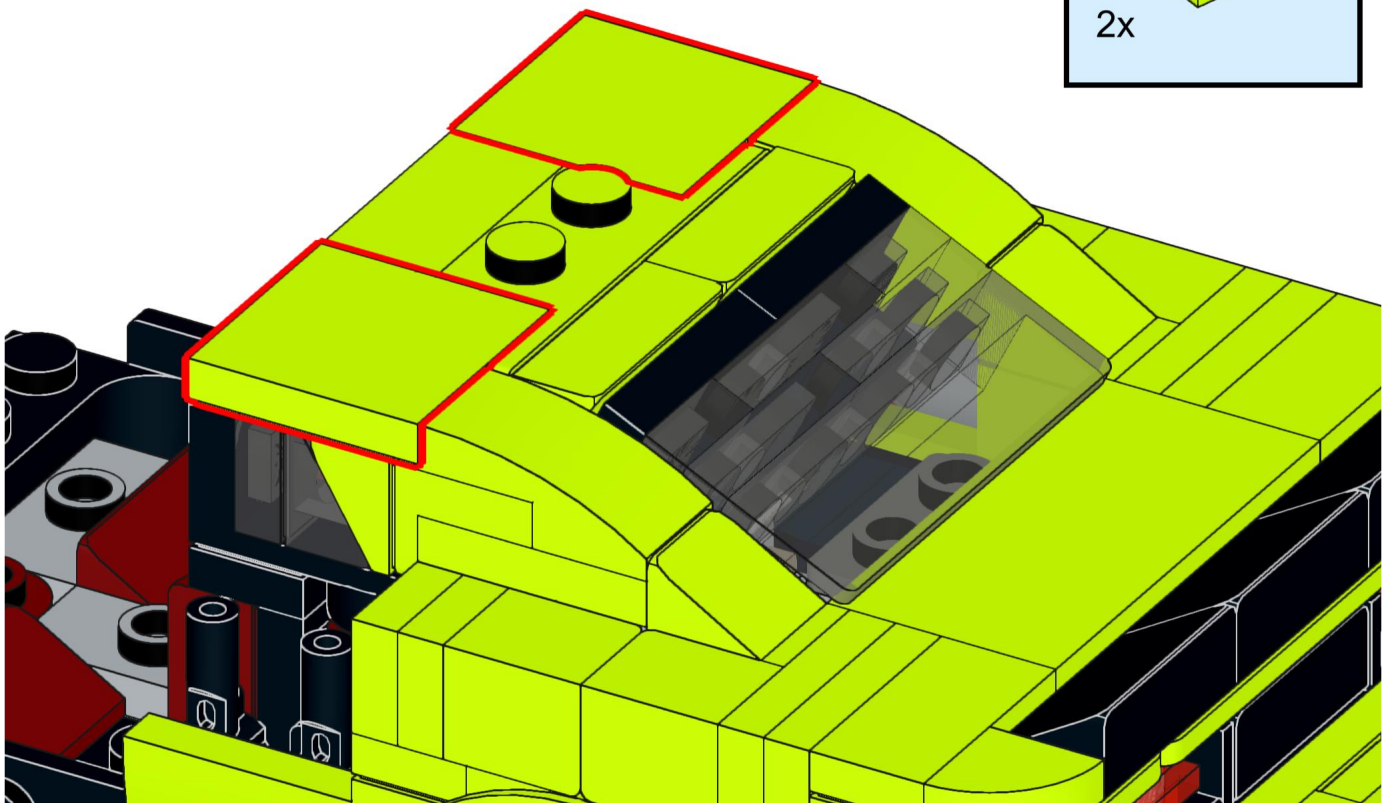
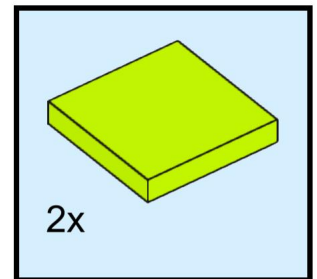
132



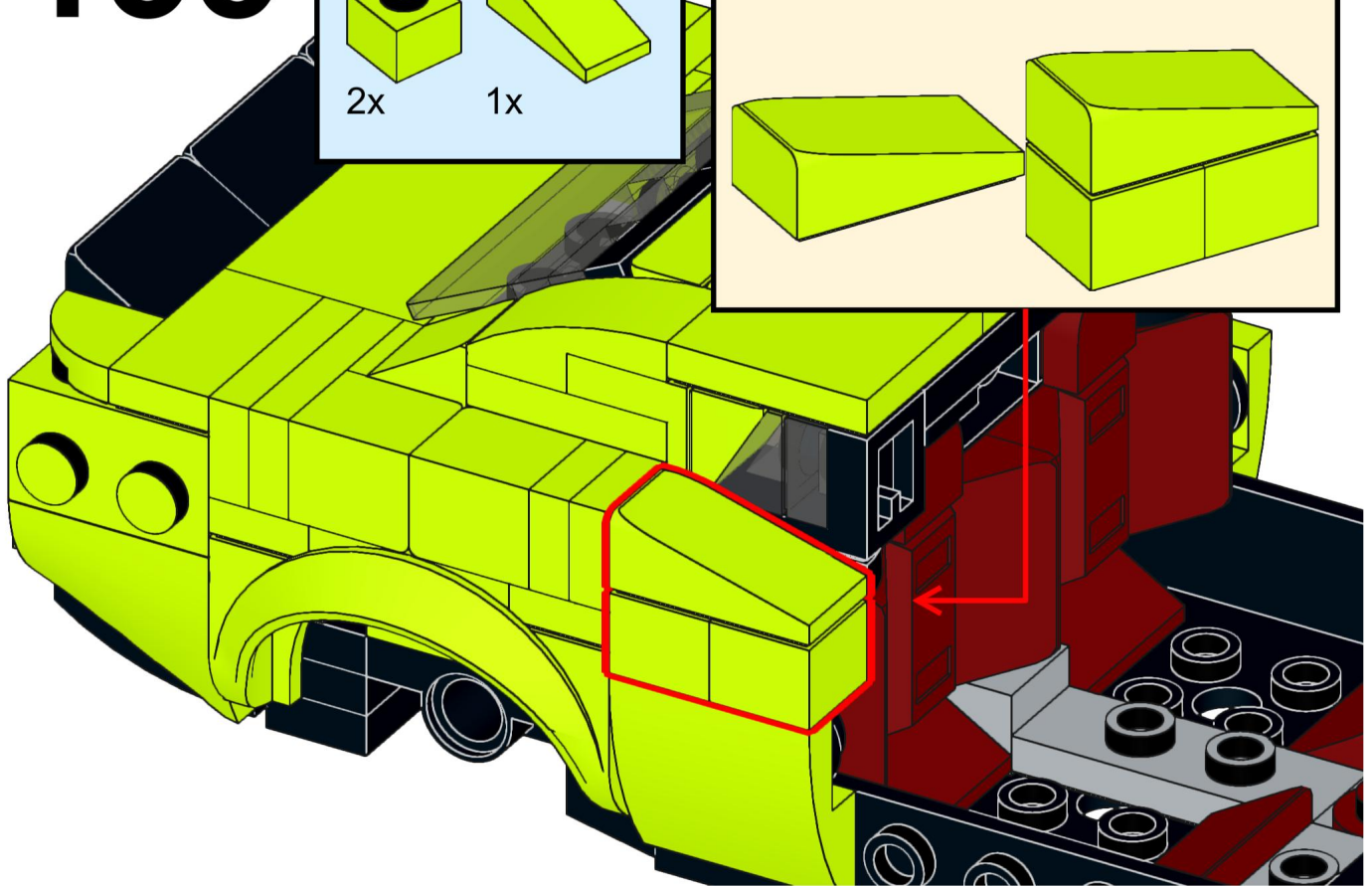
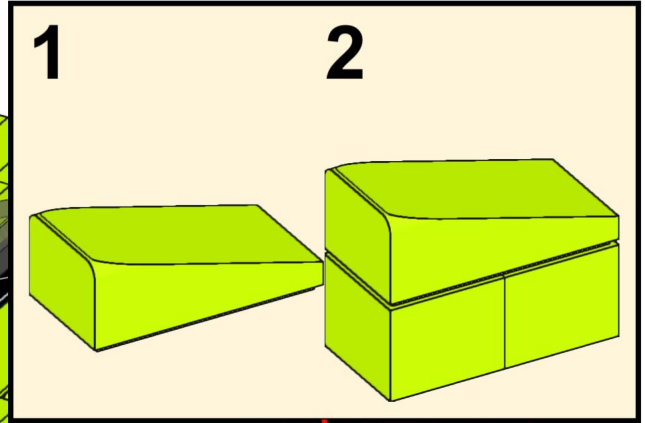
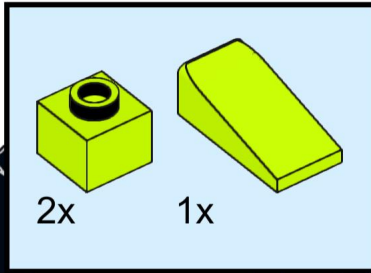
133



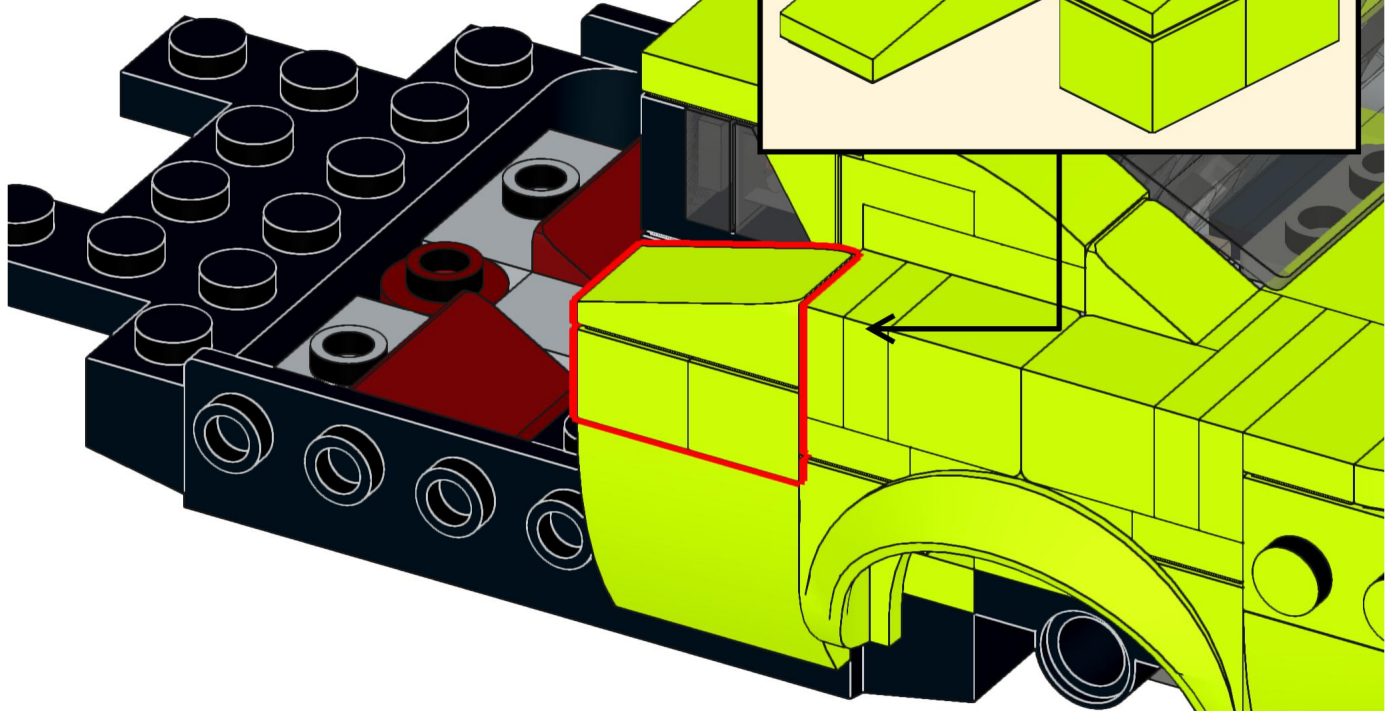
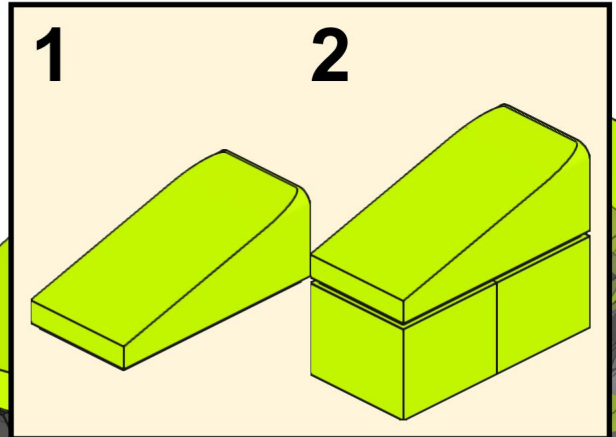
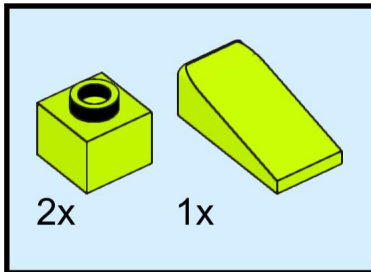
134



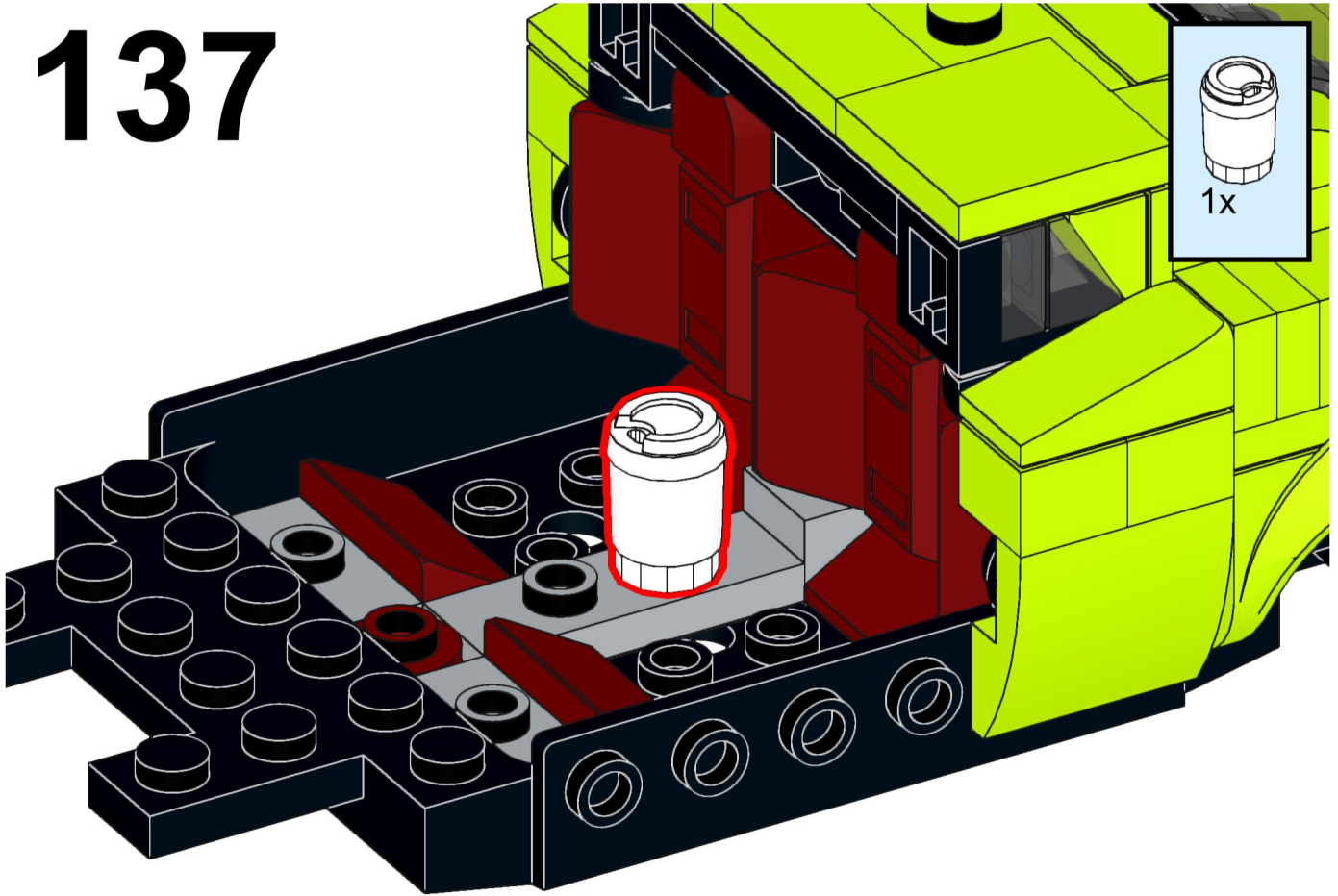
135



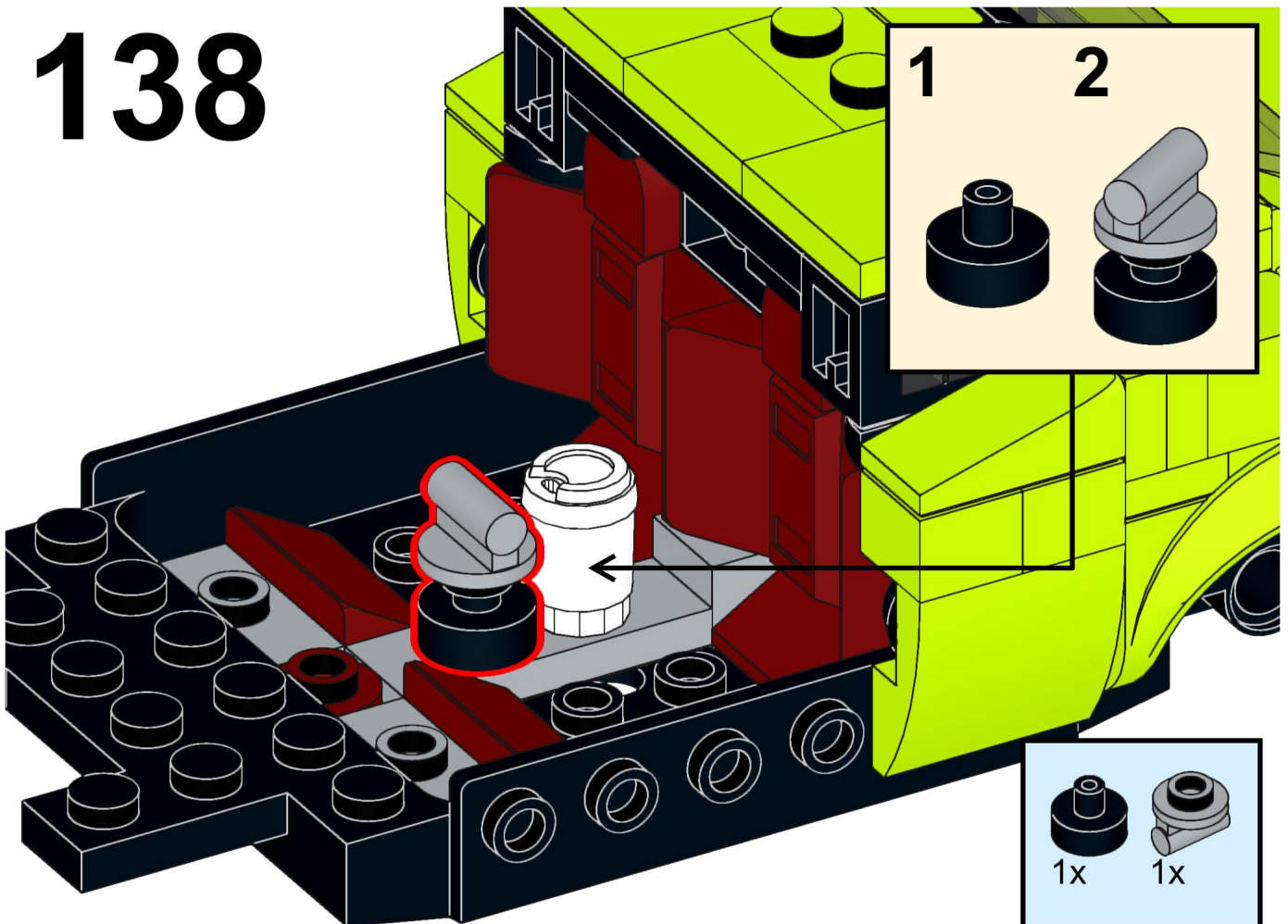
136



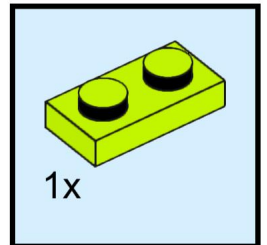
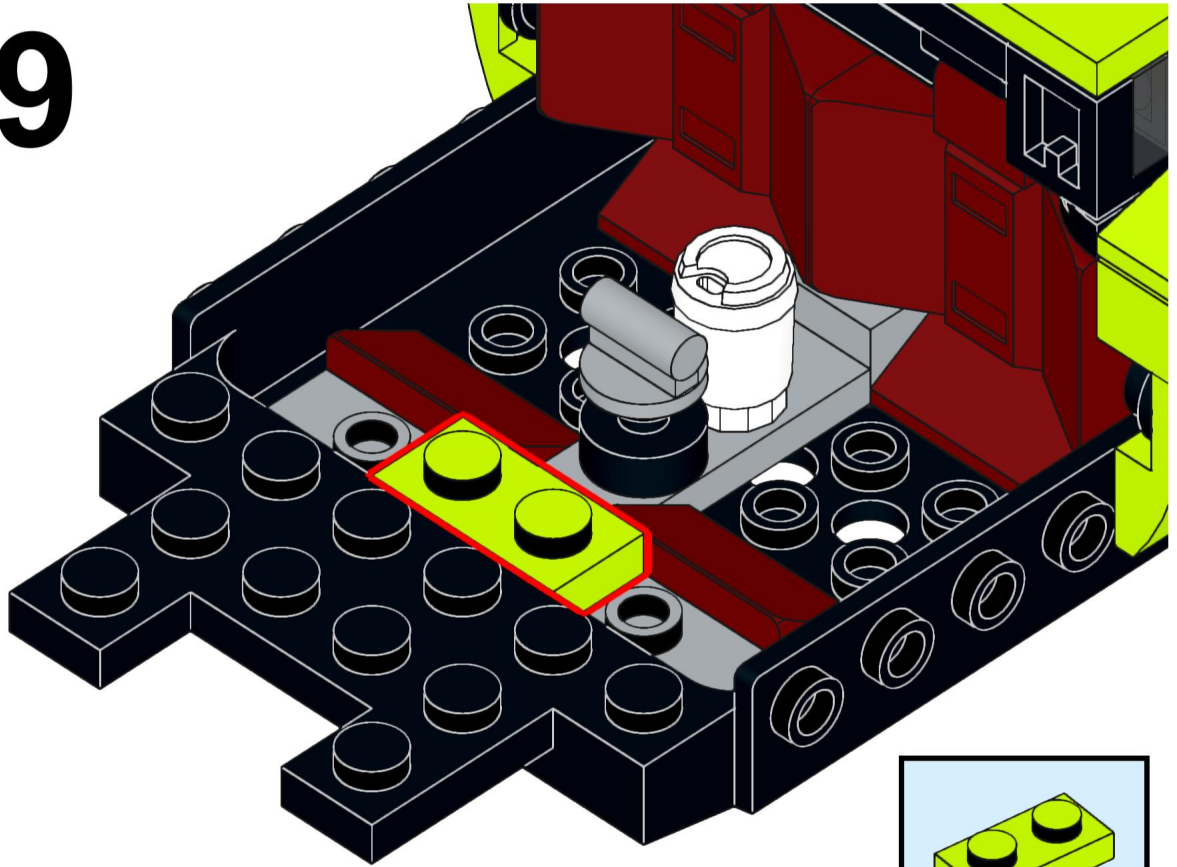
137



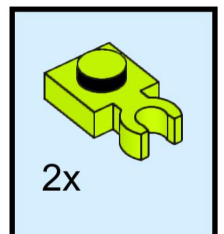
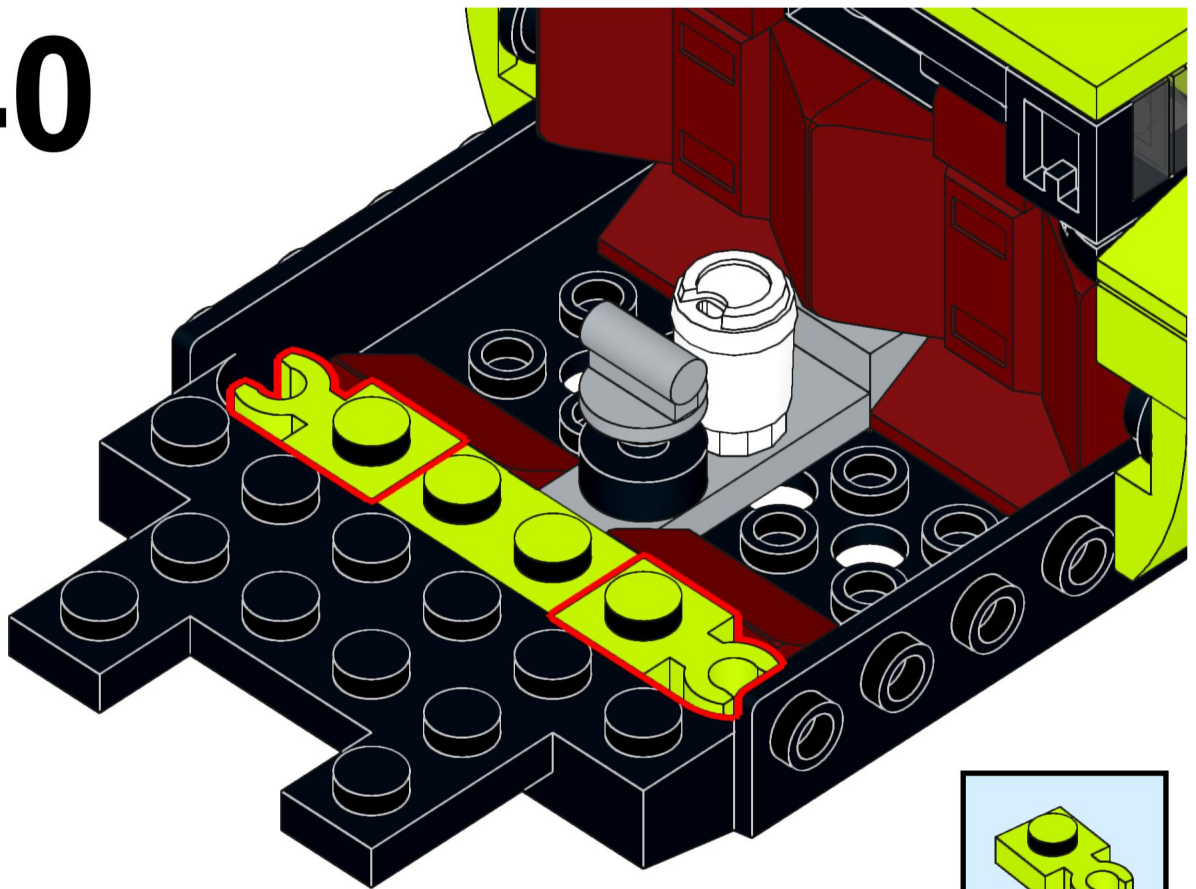
138



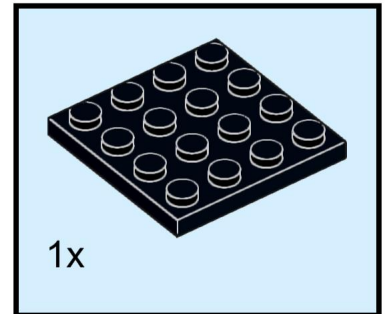
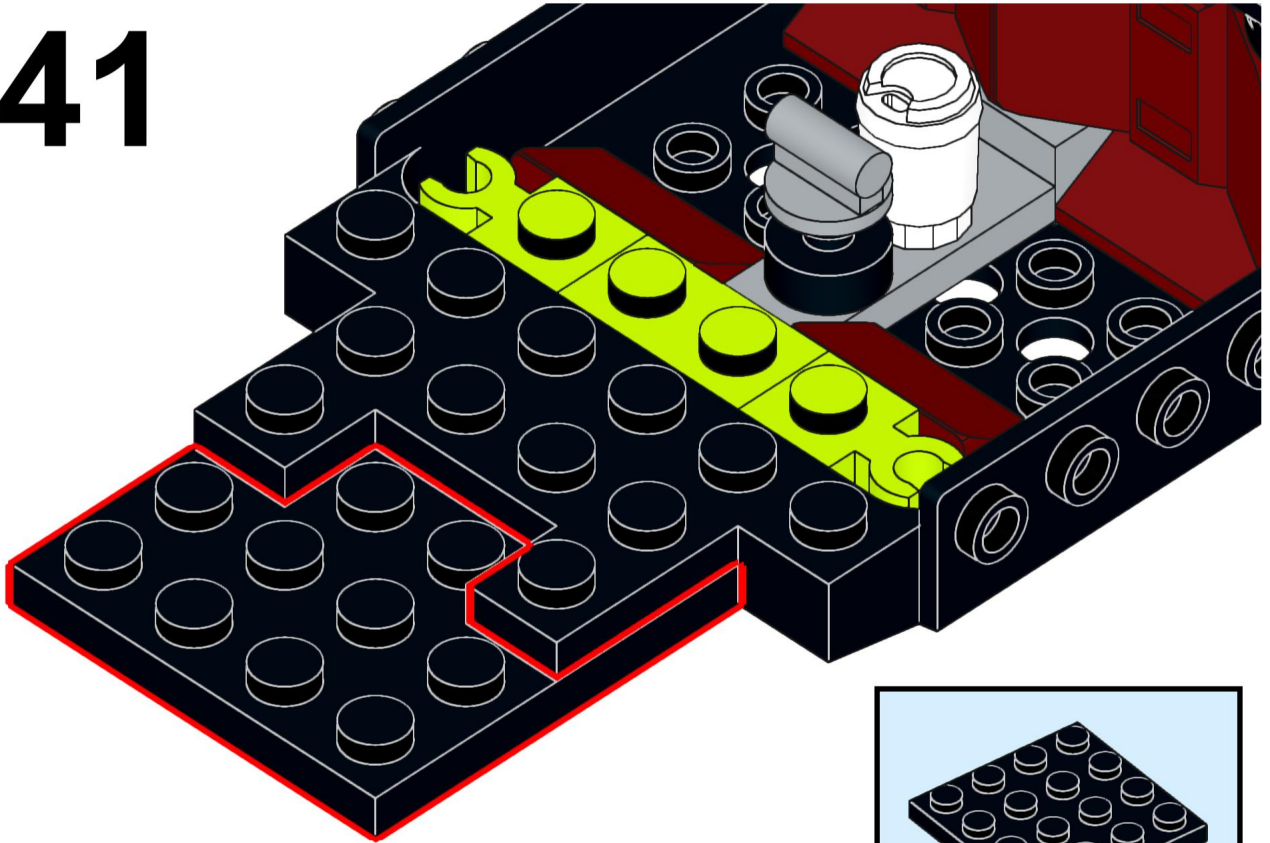
139



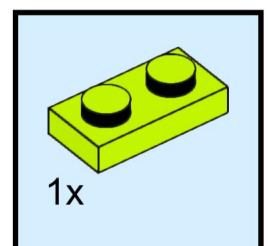
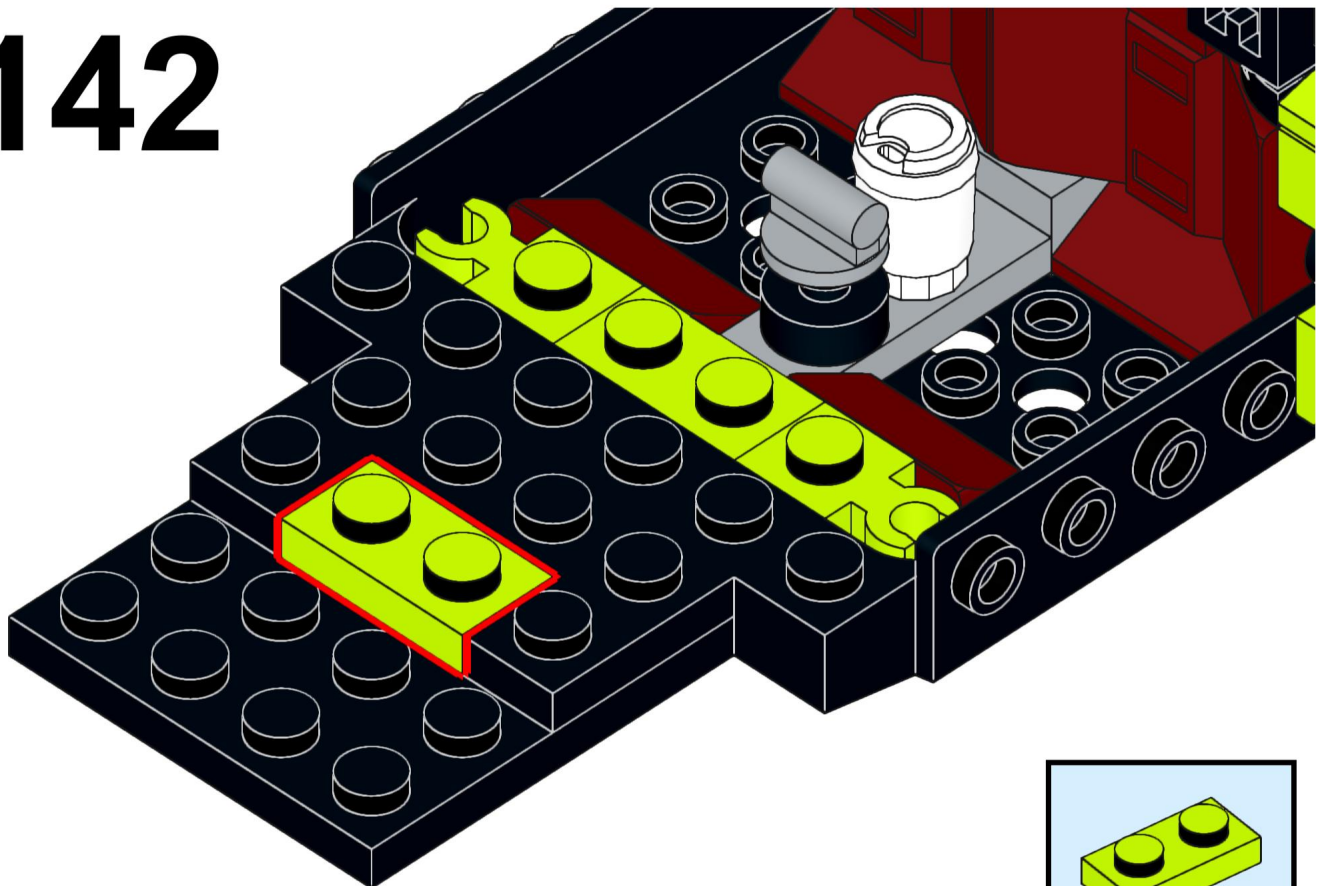
140



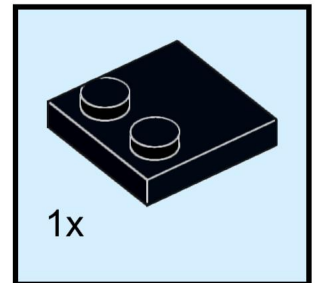
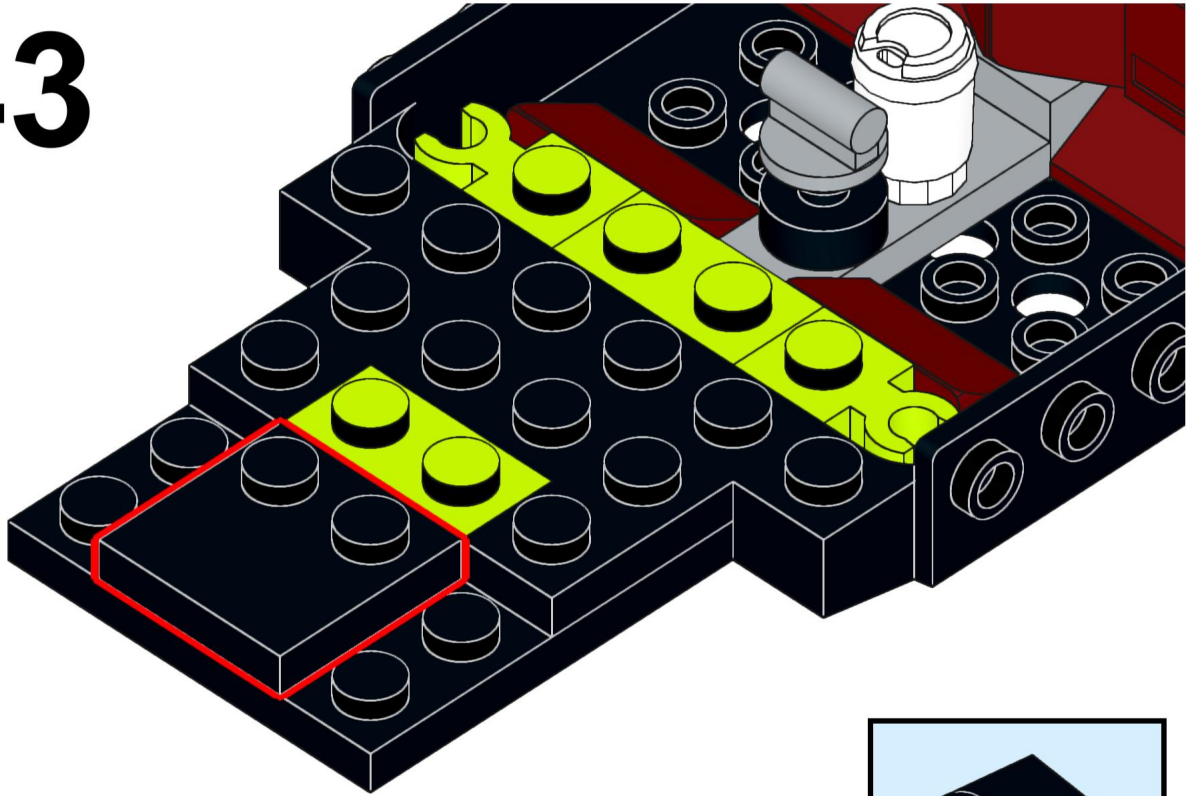
141



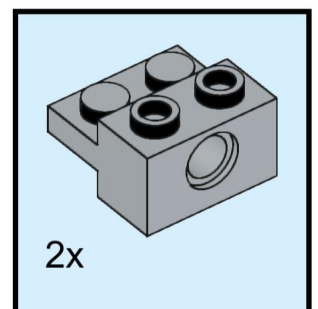
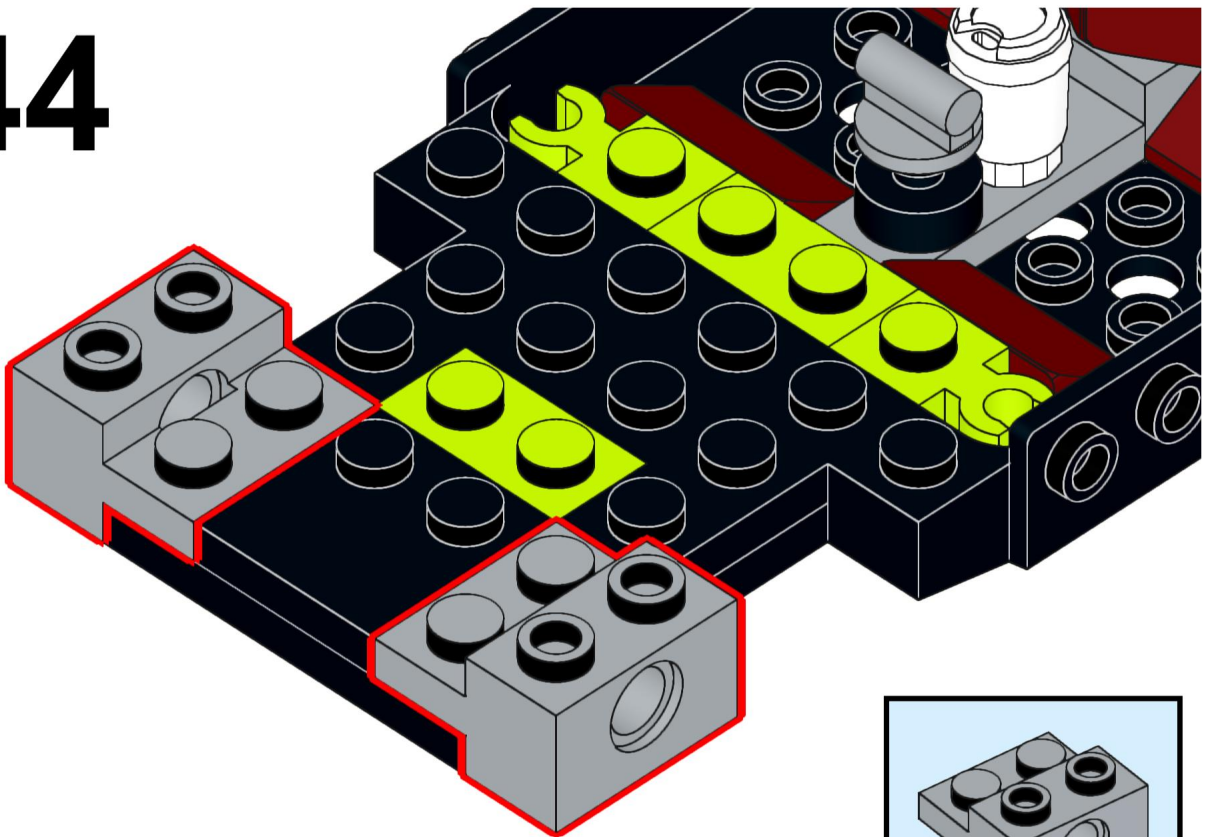
142



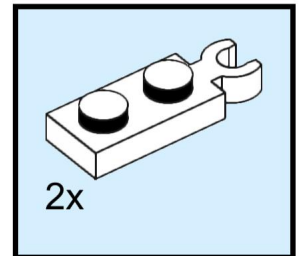
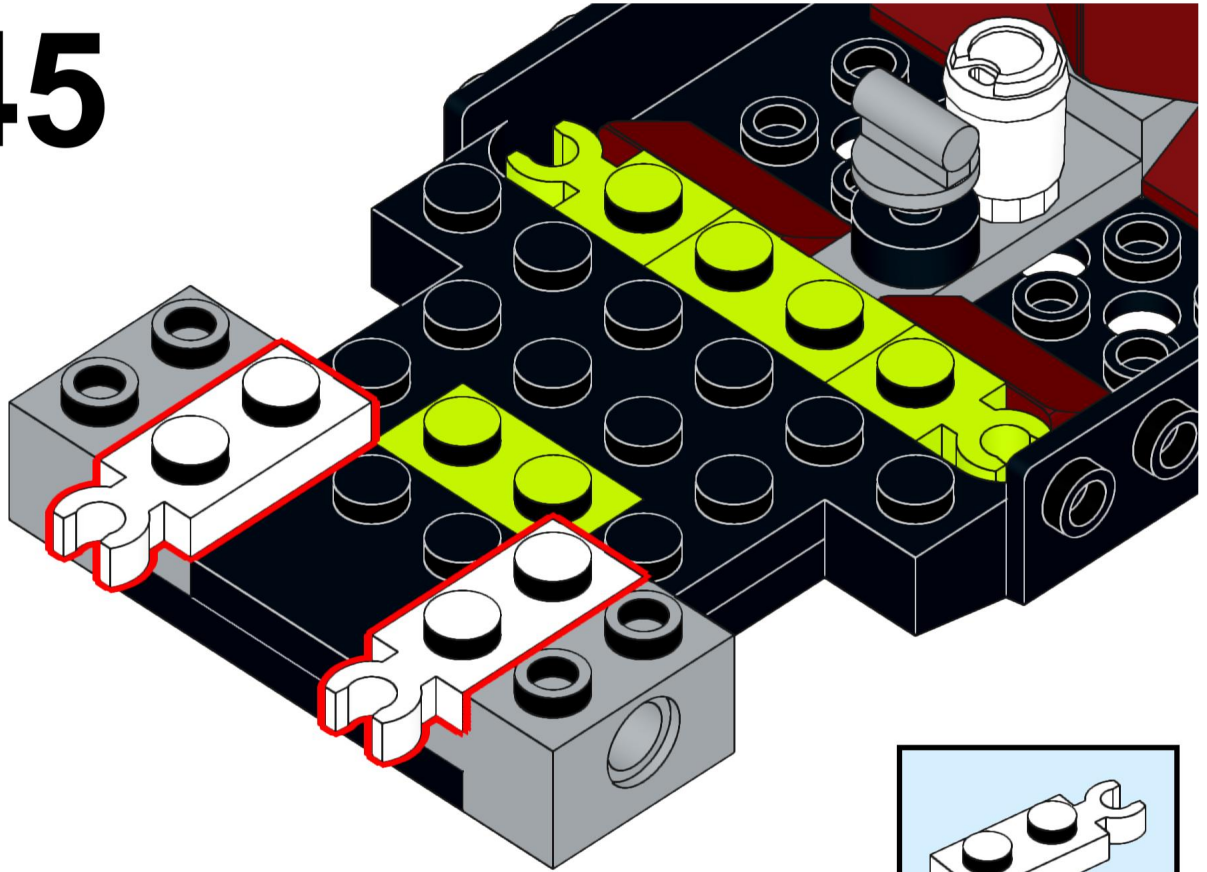
143



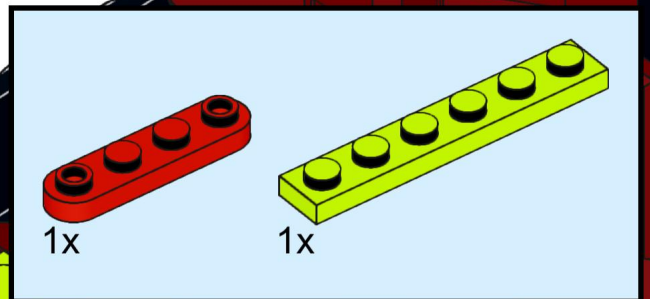
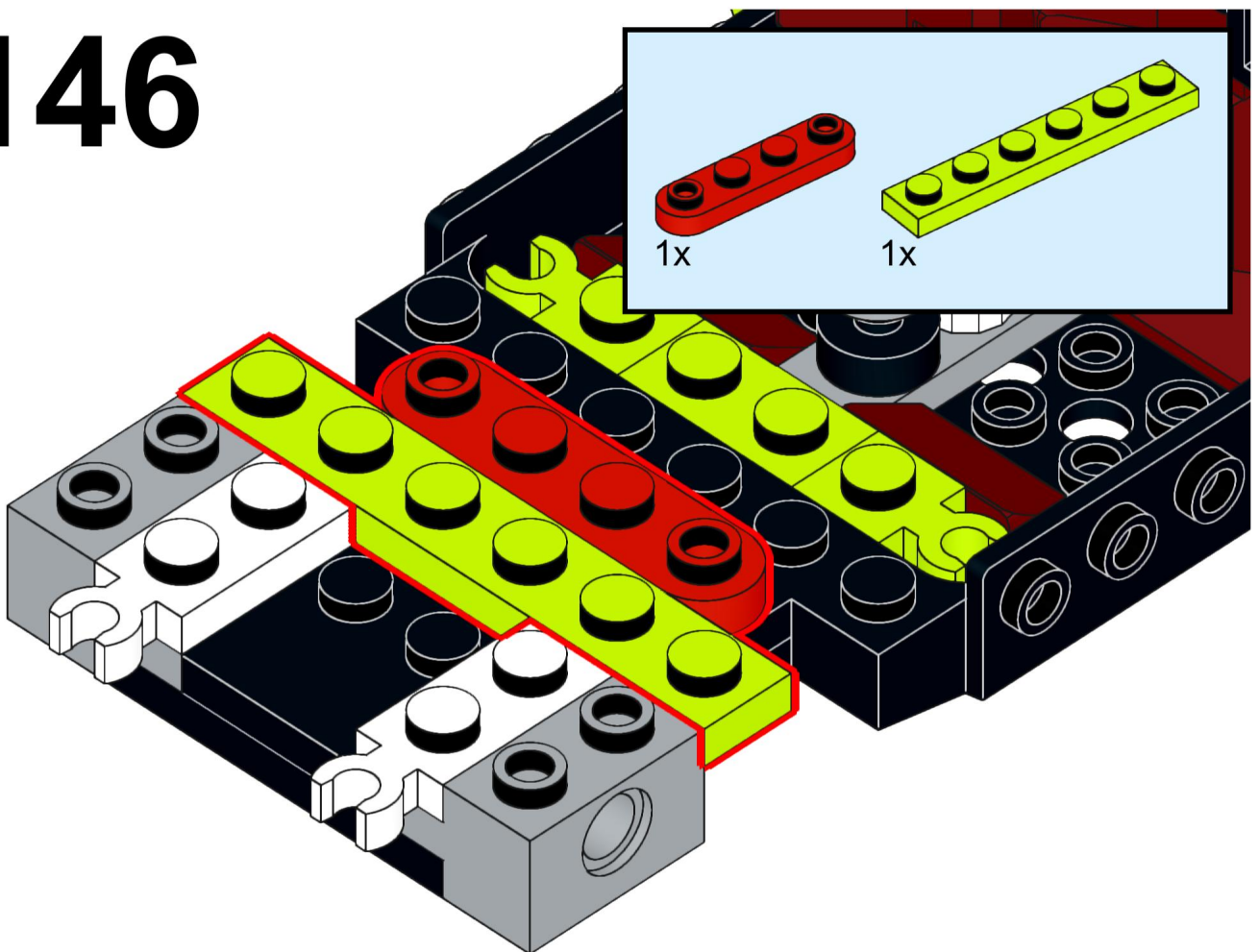
144



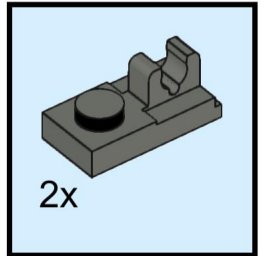
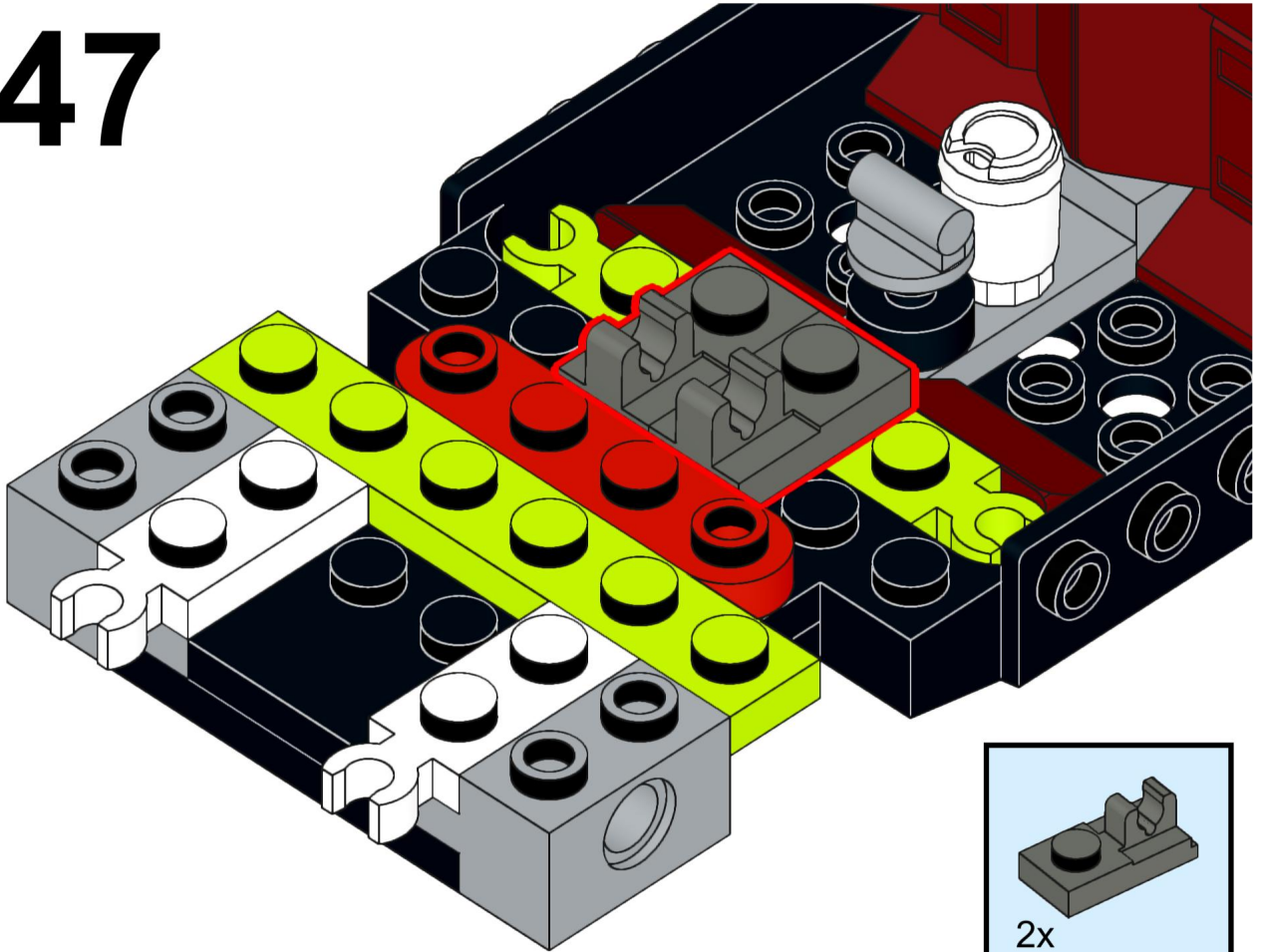
145



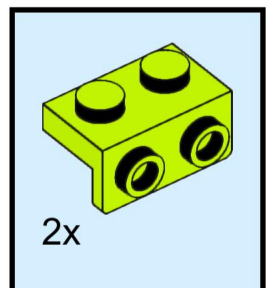
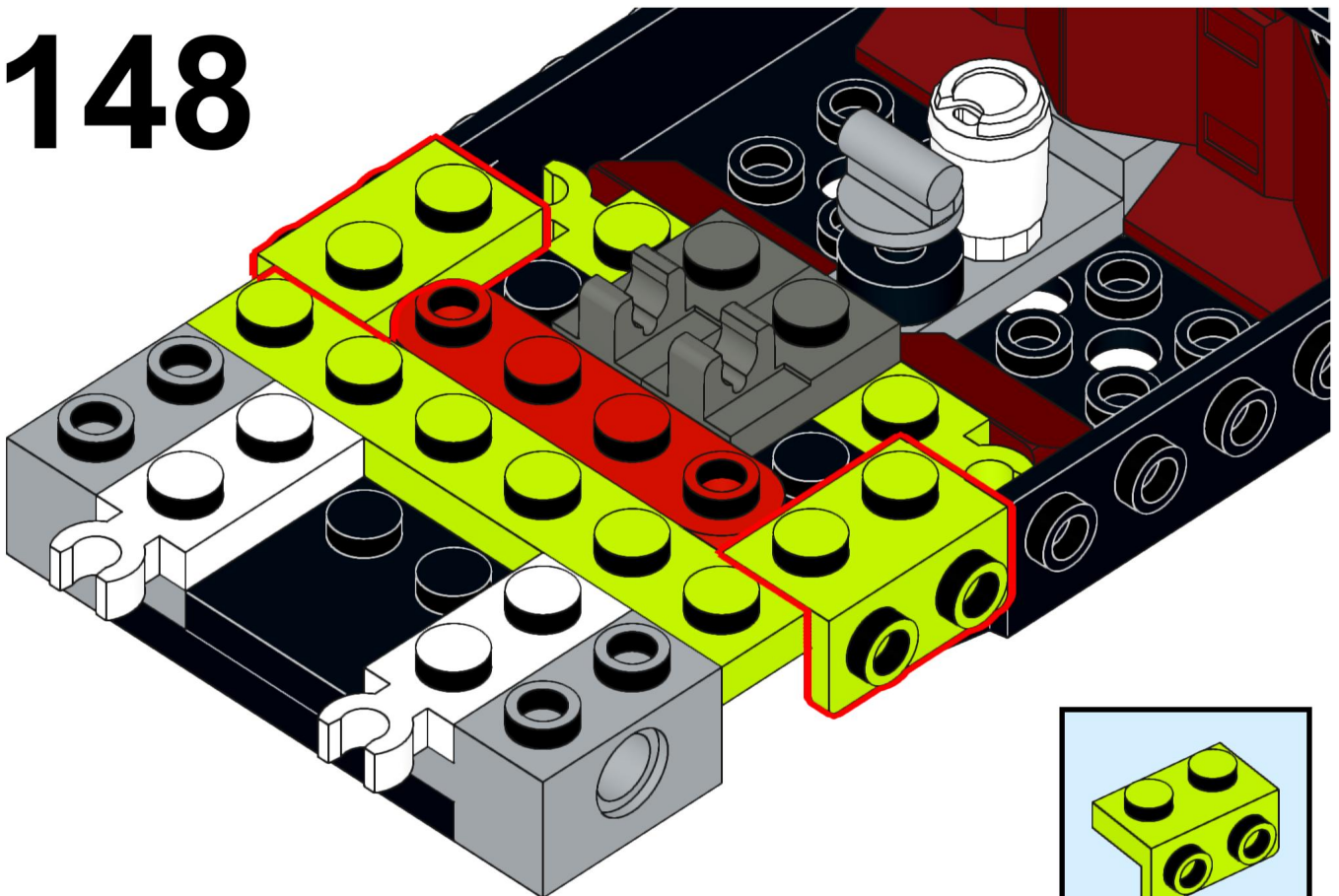
146



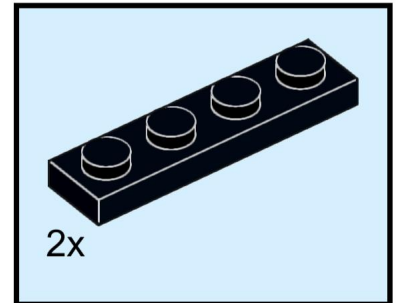
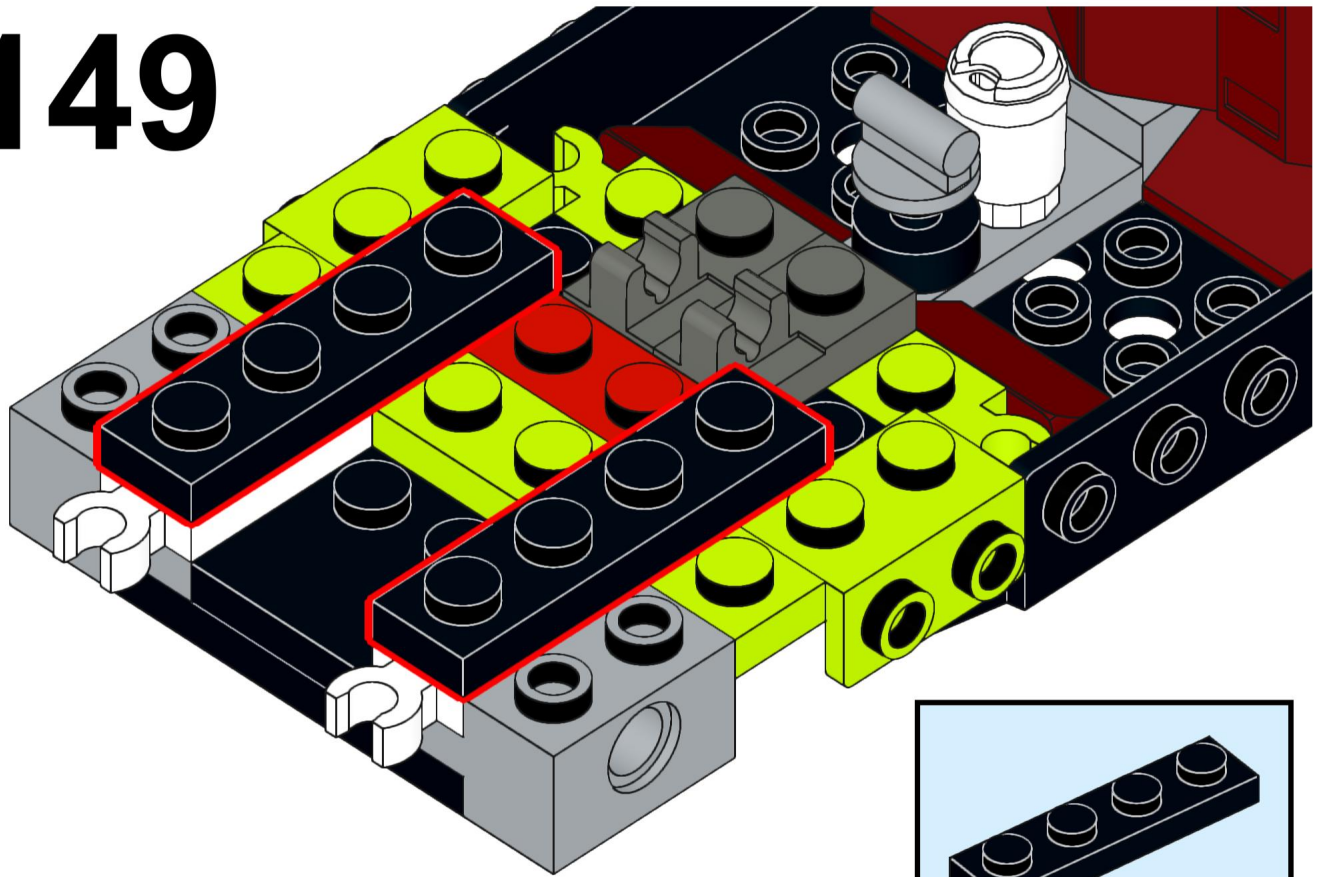
147



148

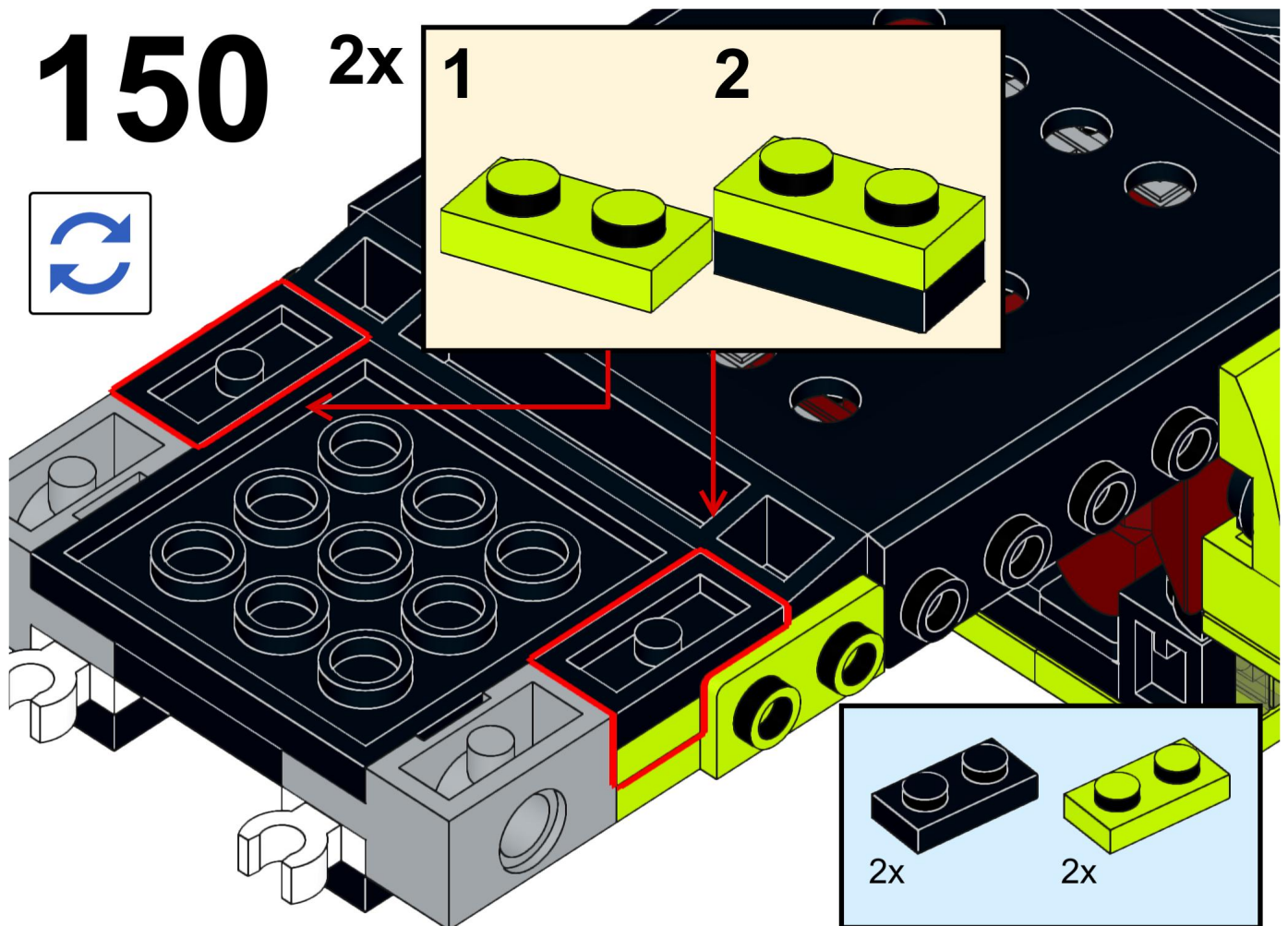
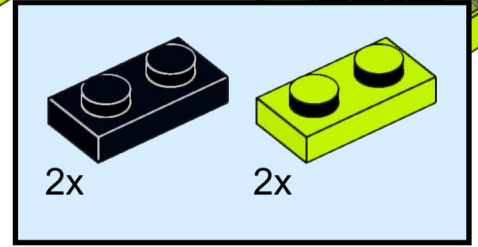
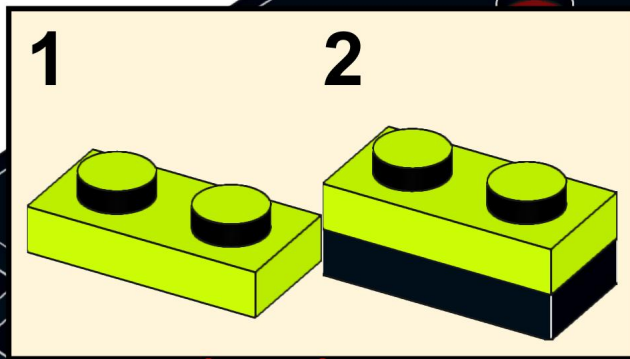


149

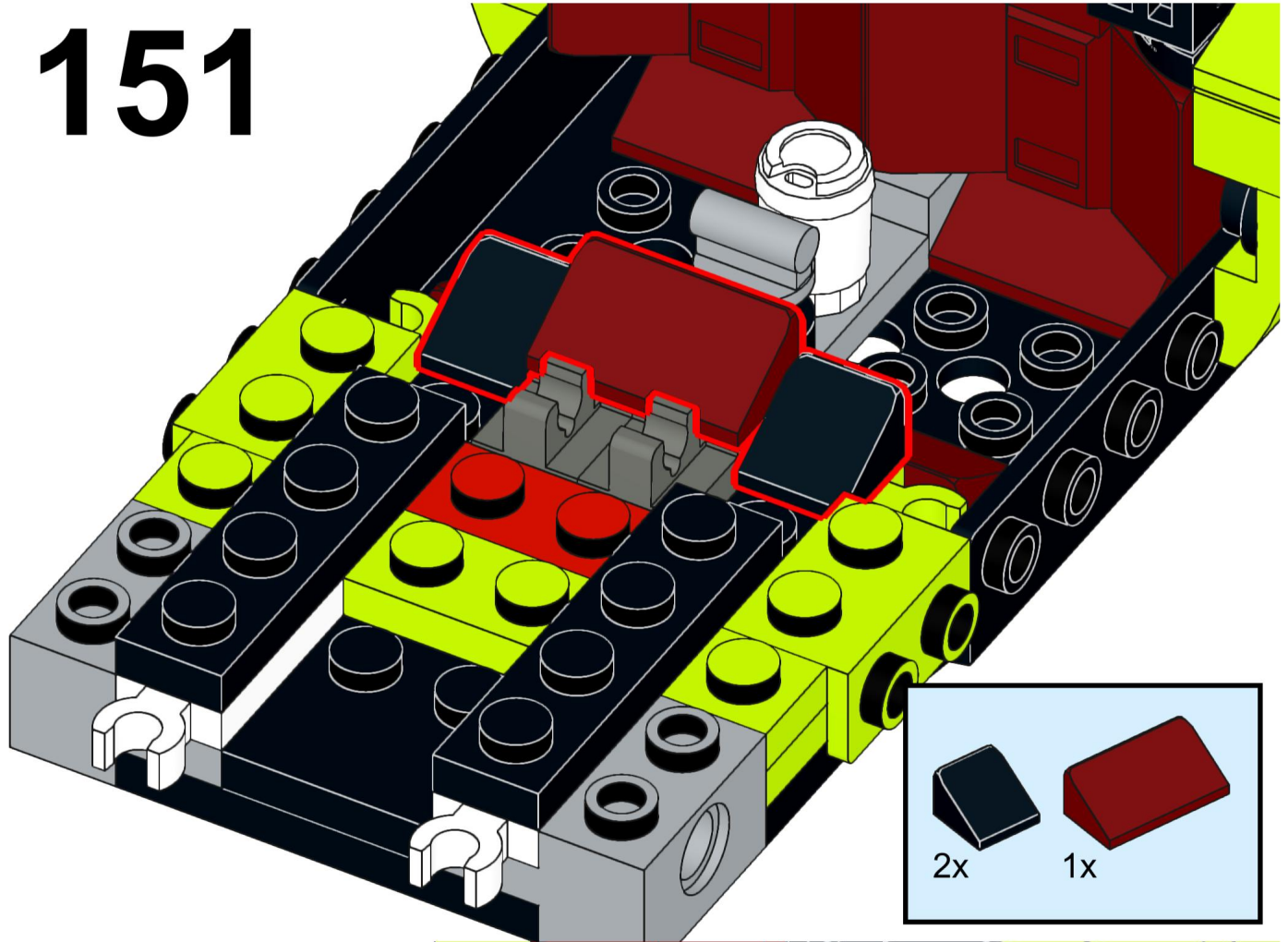


150

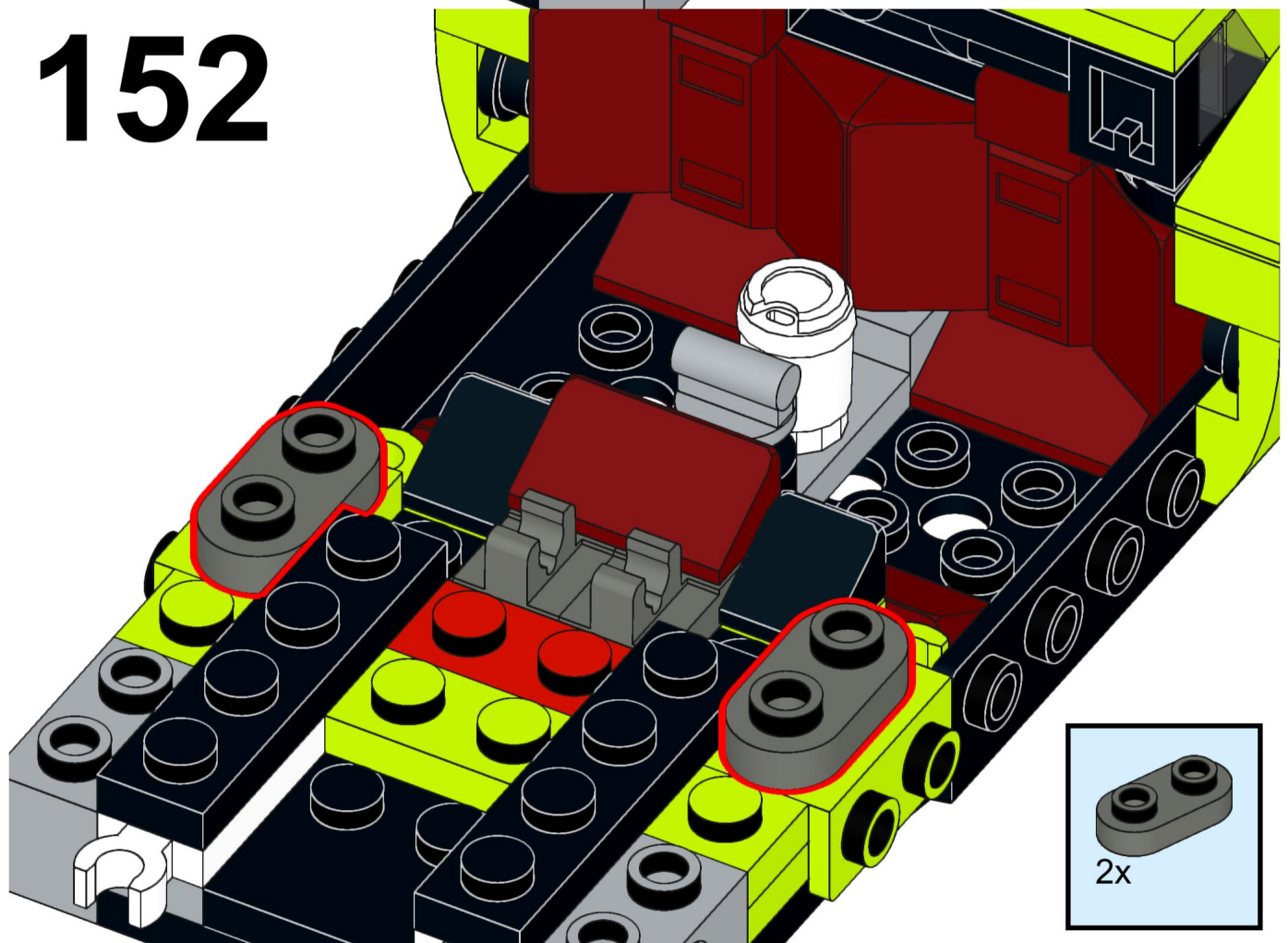
2x



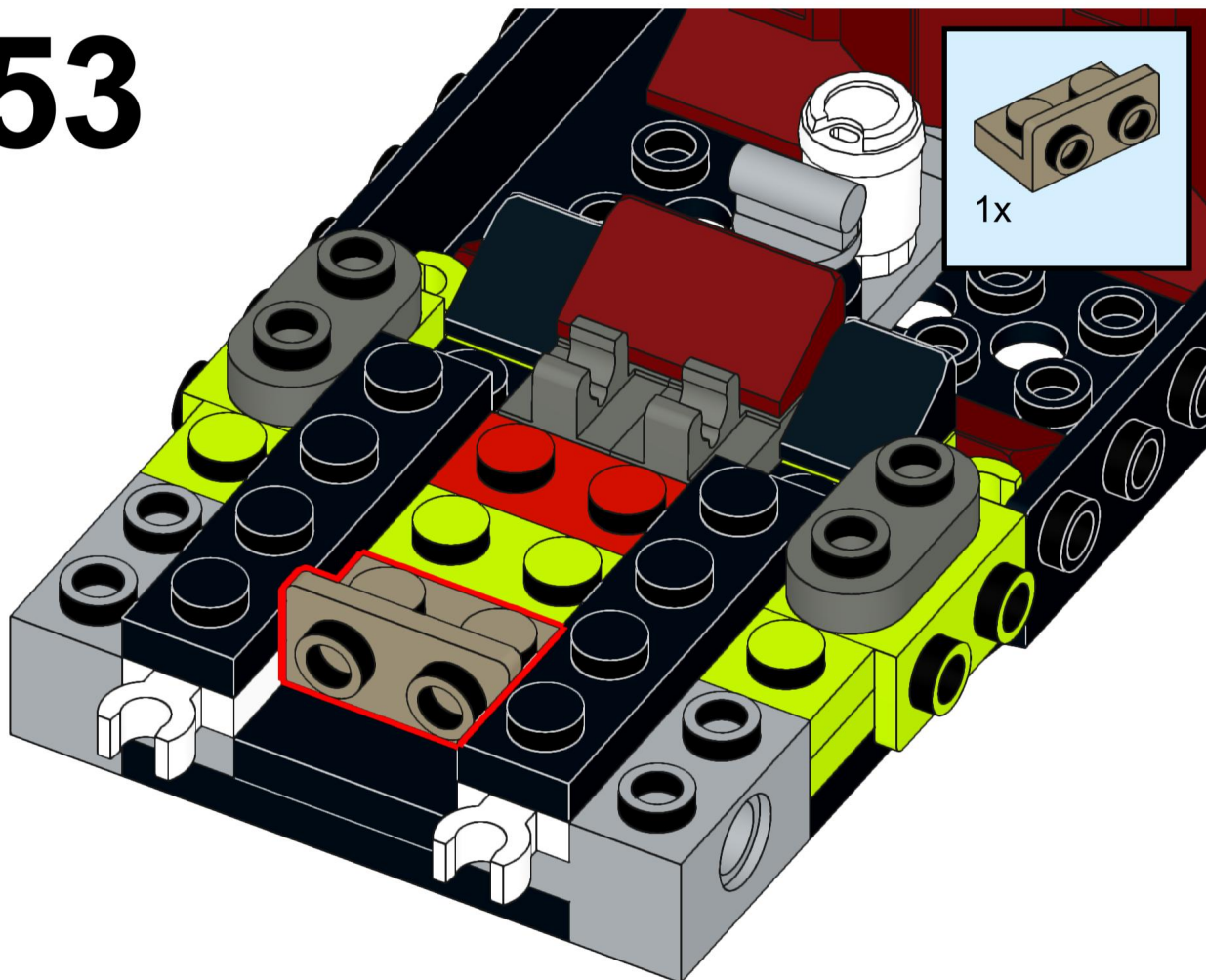
151



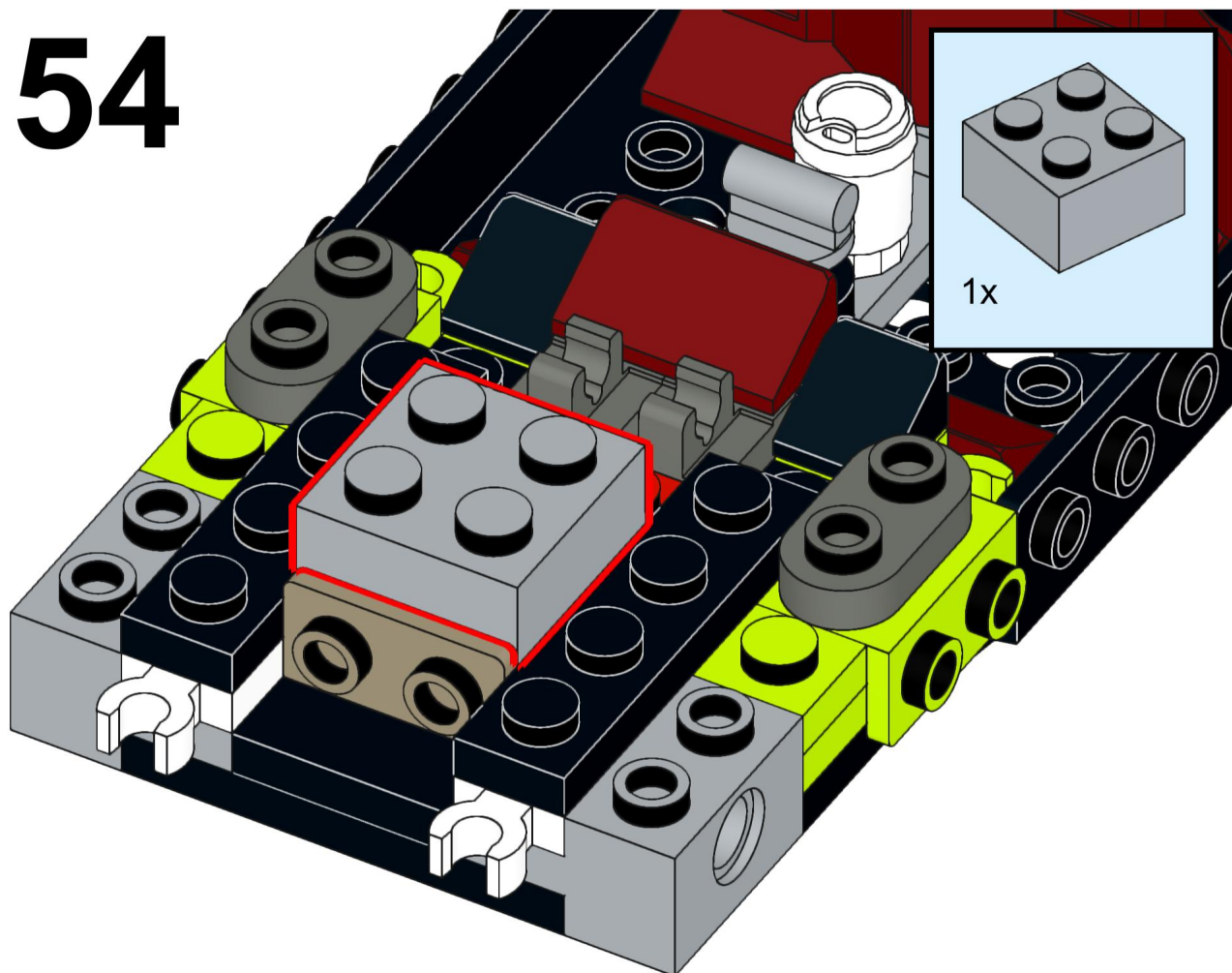
152



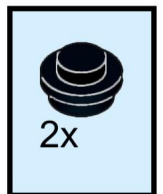
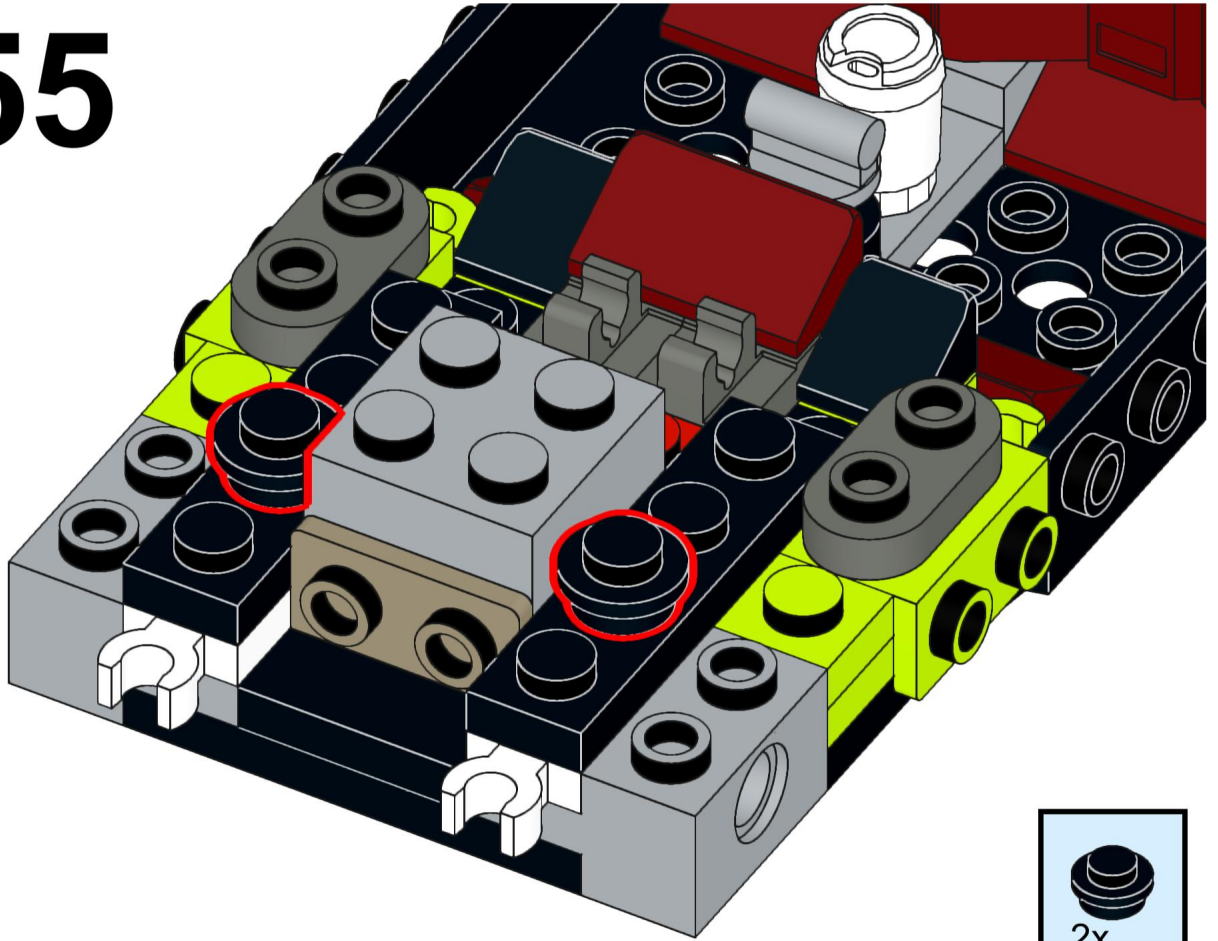
153



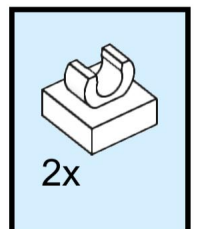
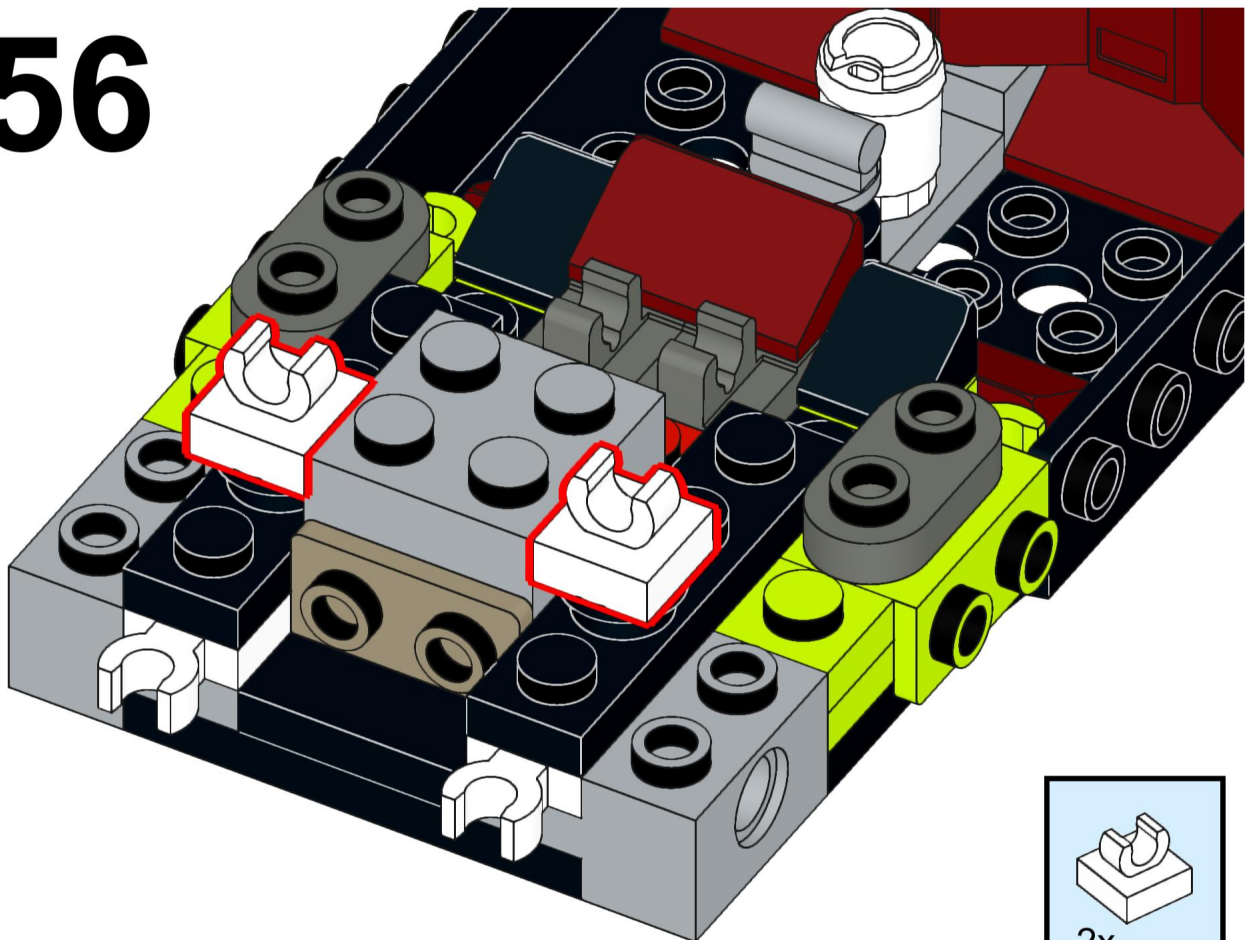
154



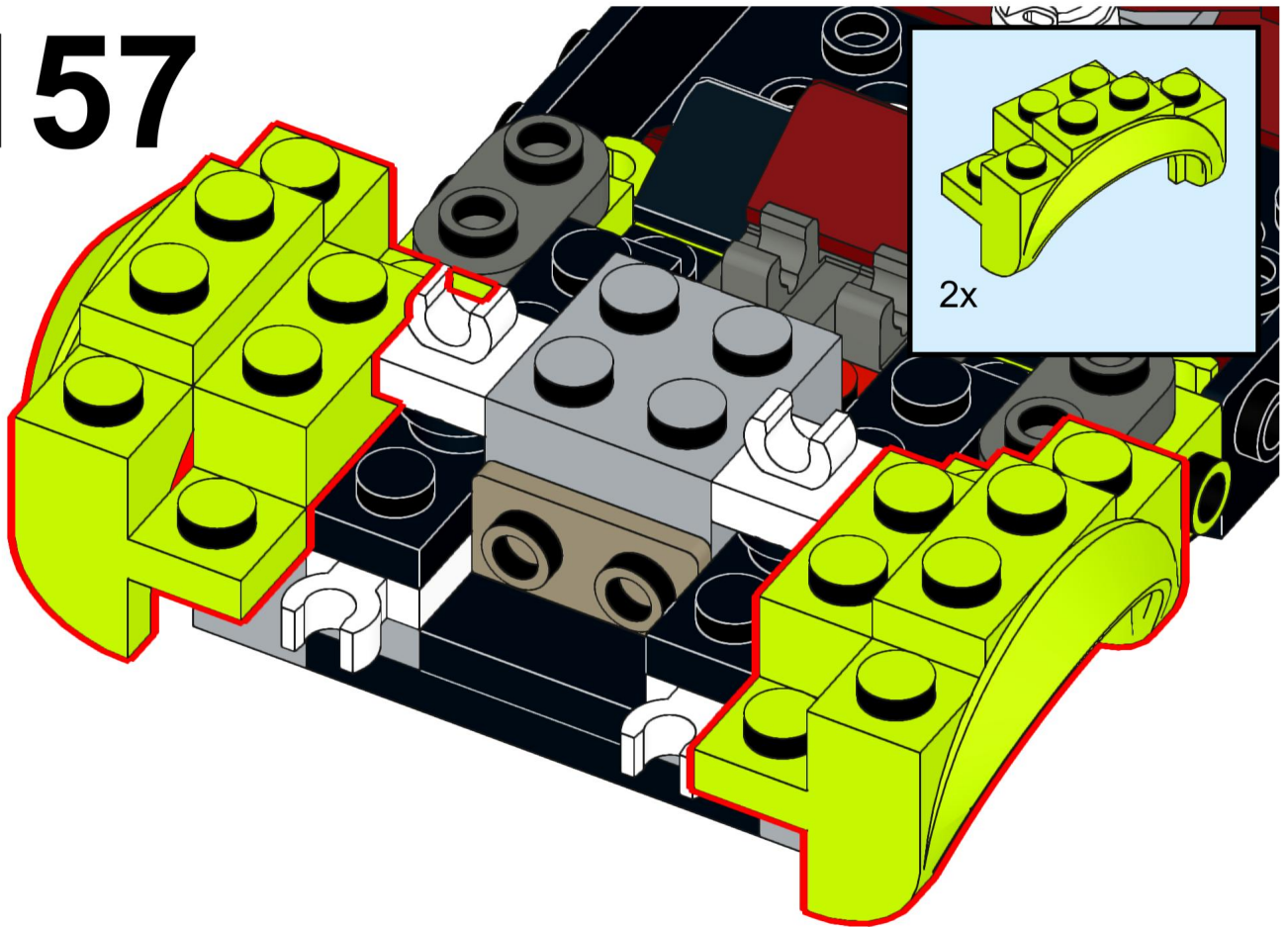
155



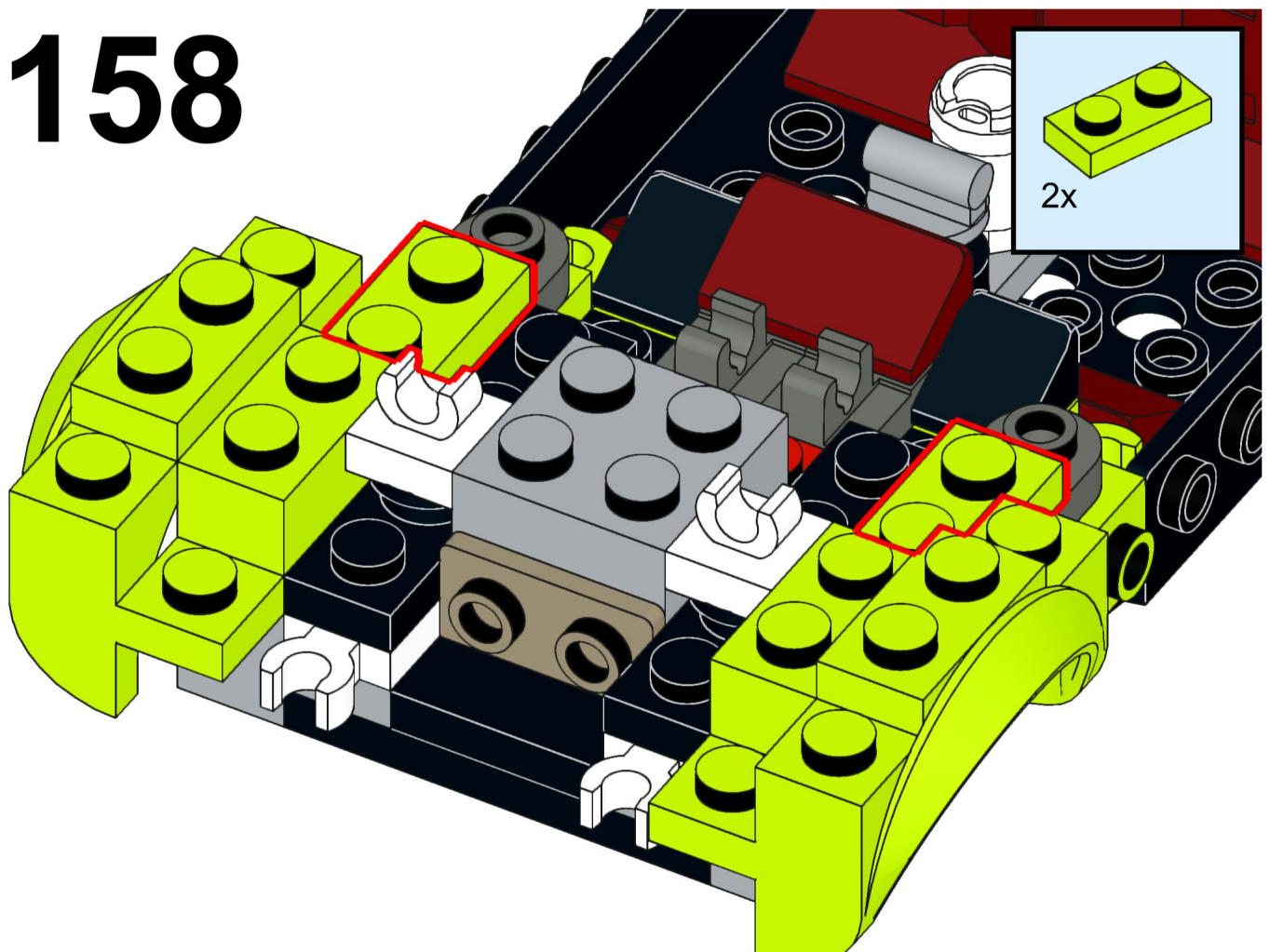
156



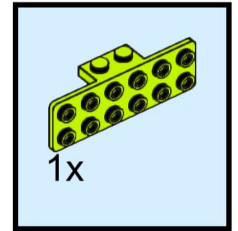
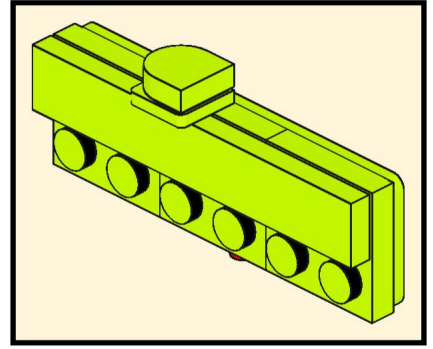
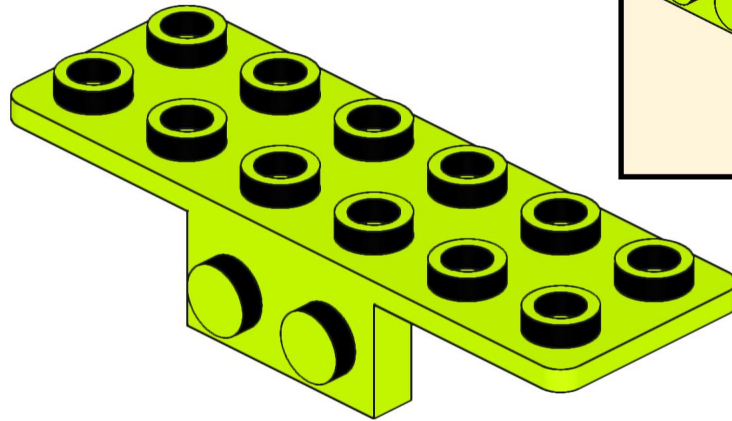
157



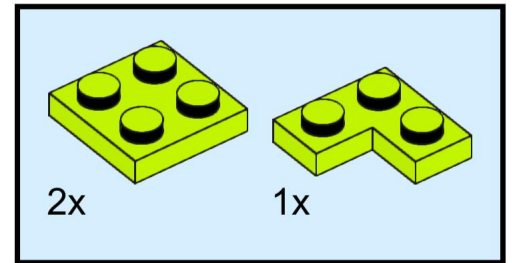
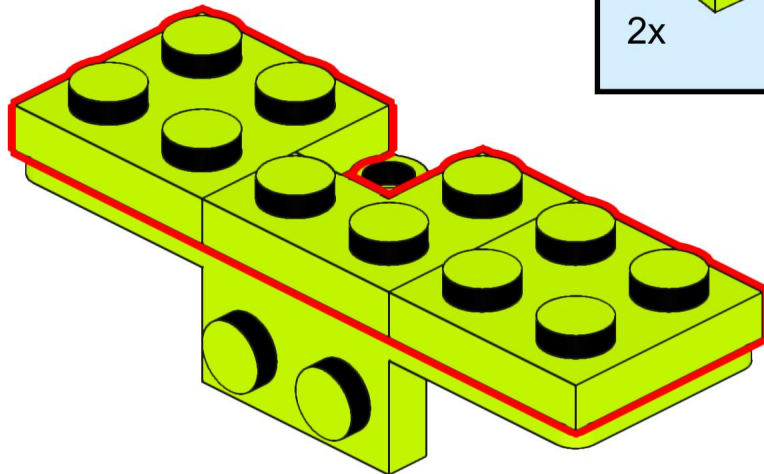
158



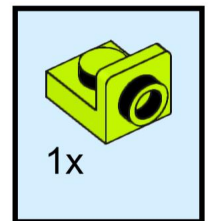
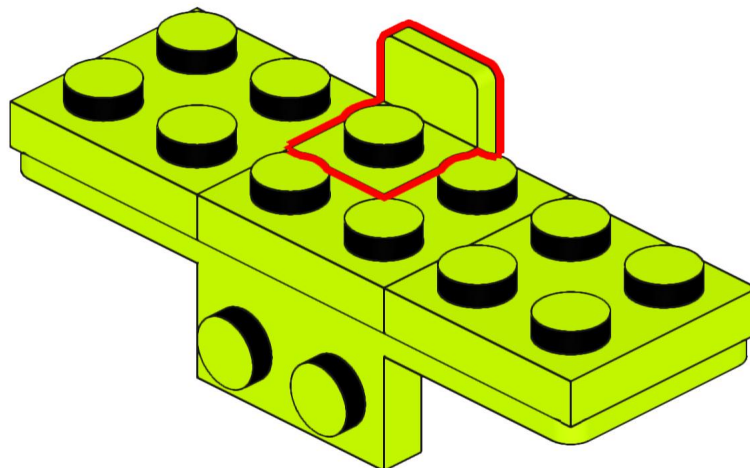
159



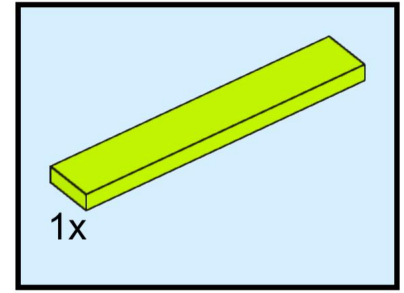
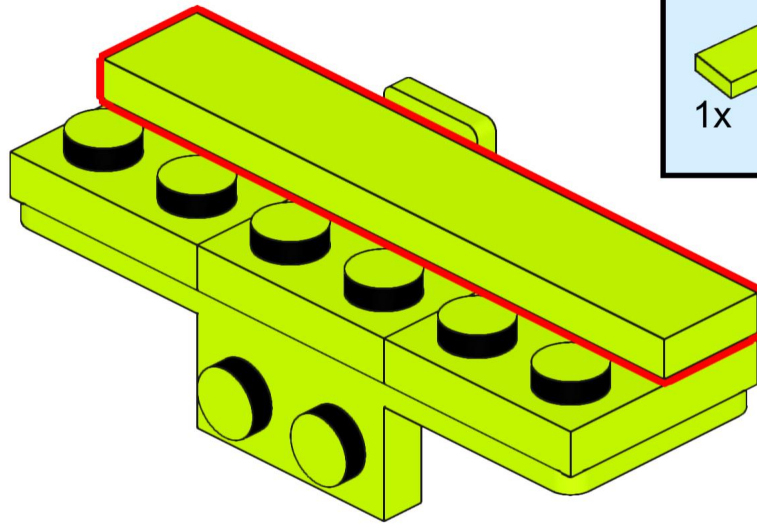
160



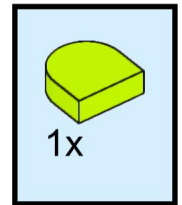
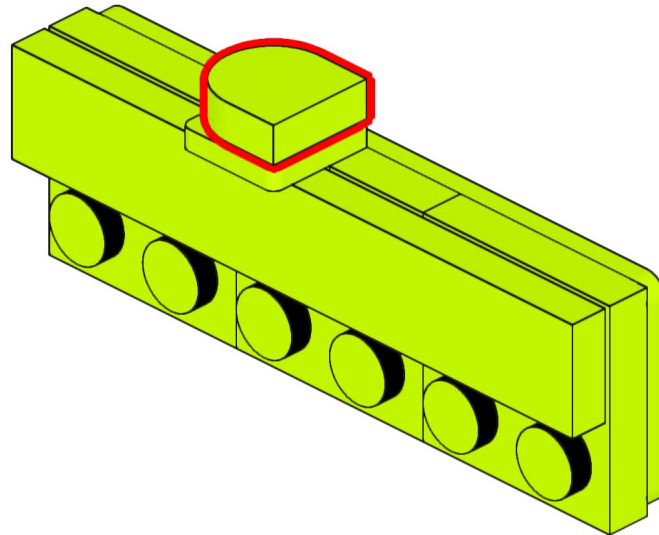
161



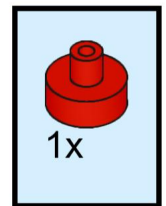
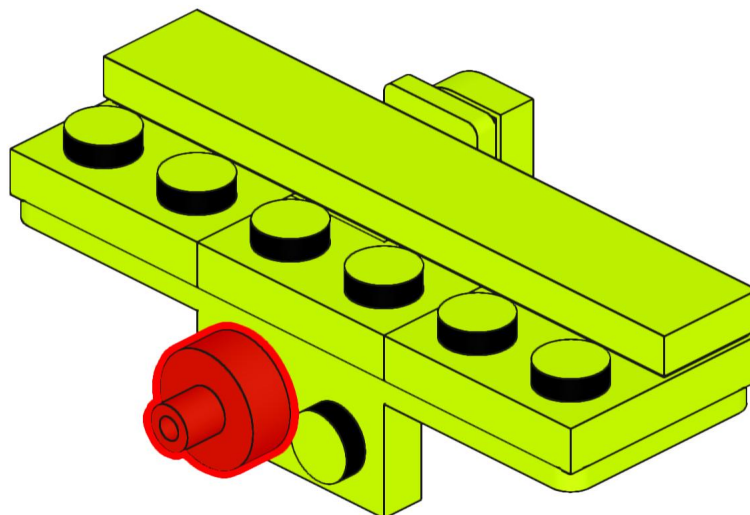
162



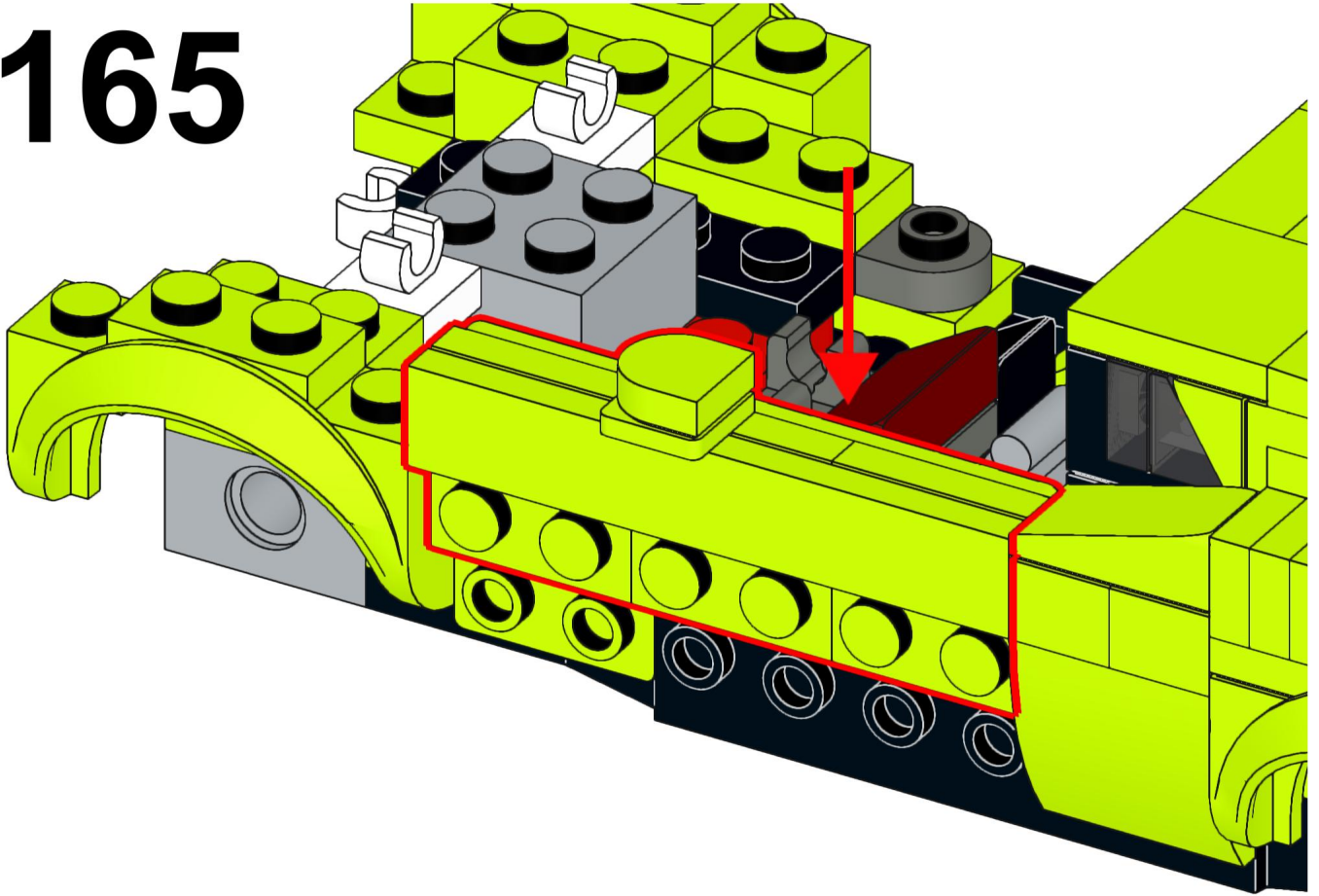
163



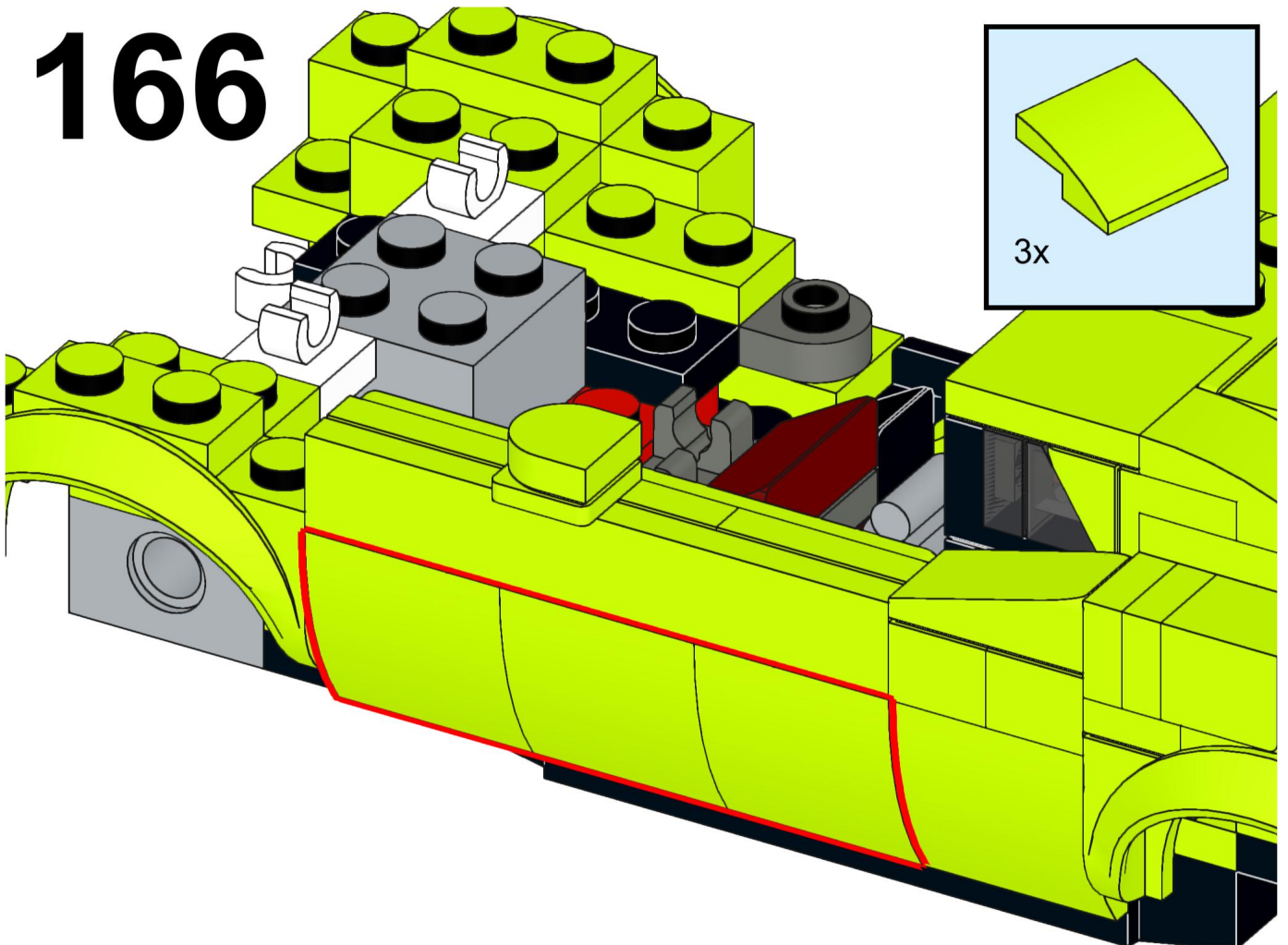
164



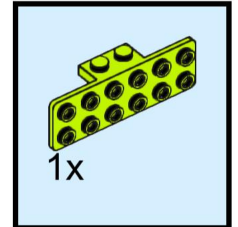
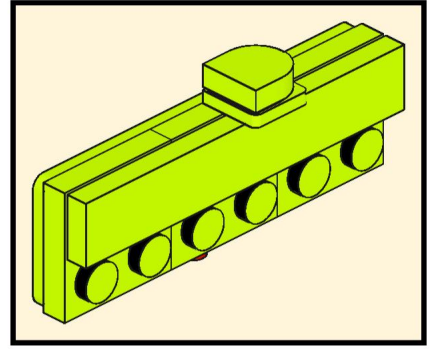
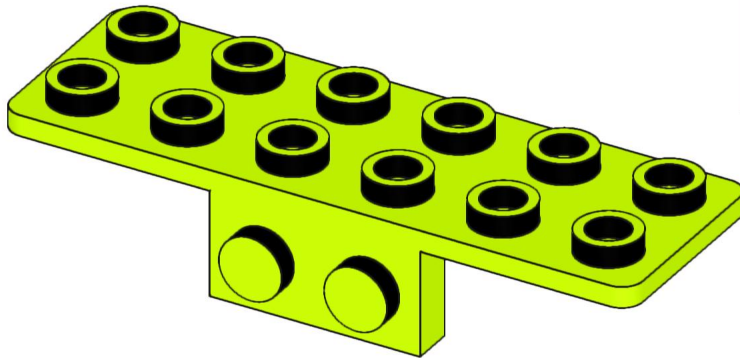
165



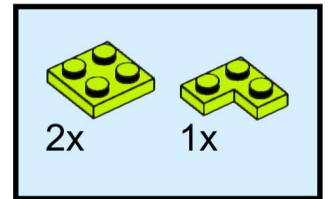
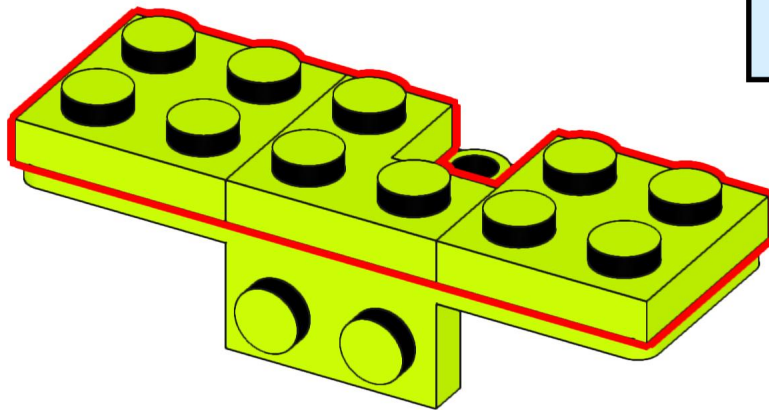
166



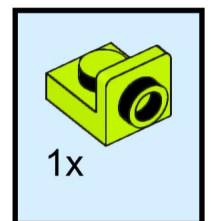
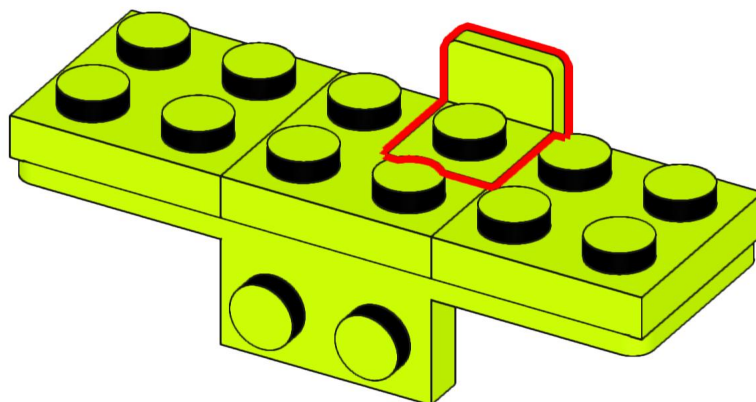
167



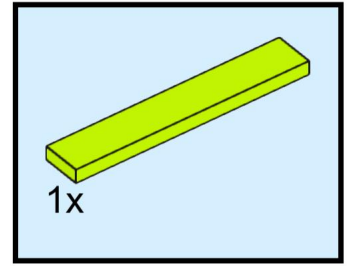
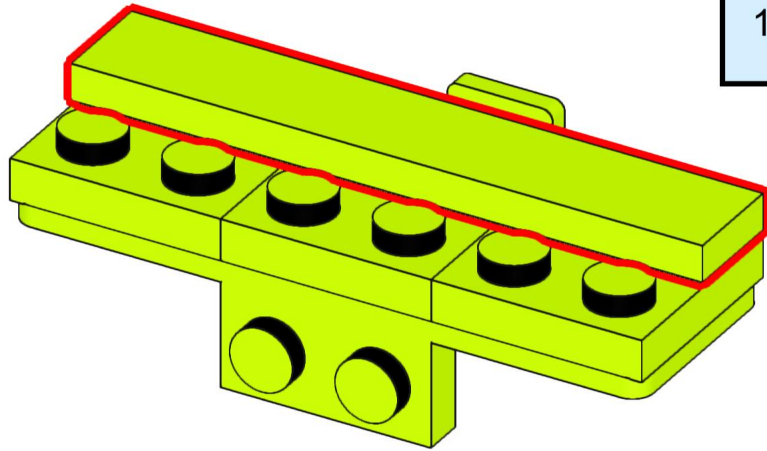
168



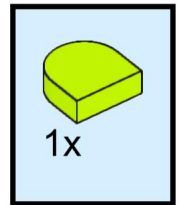
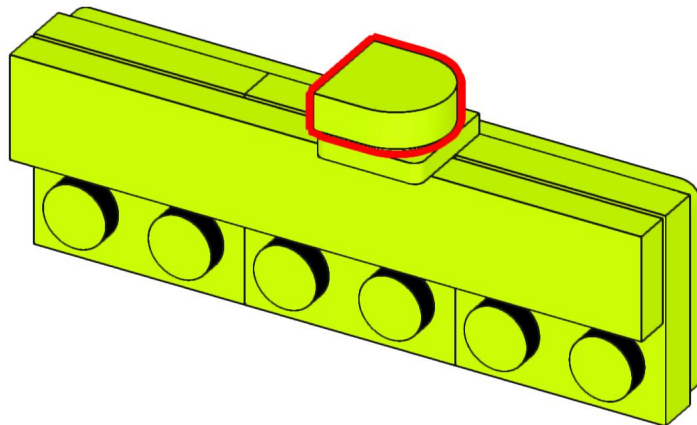
169



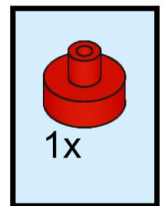
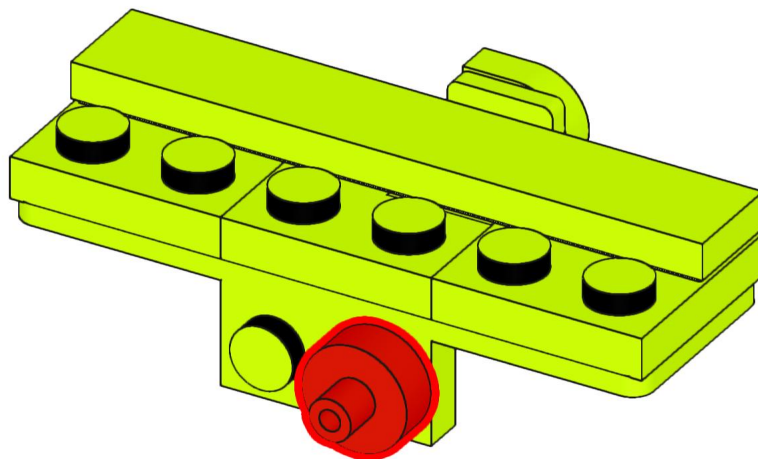
170

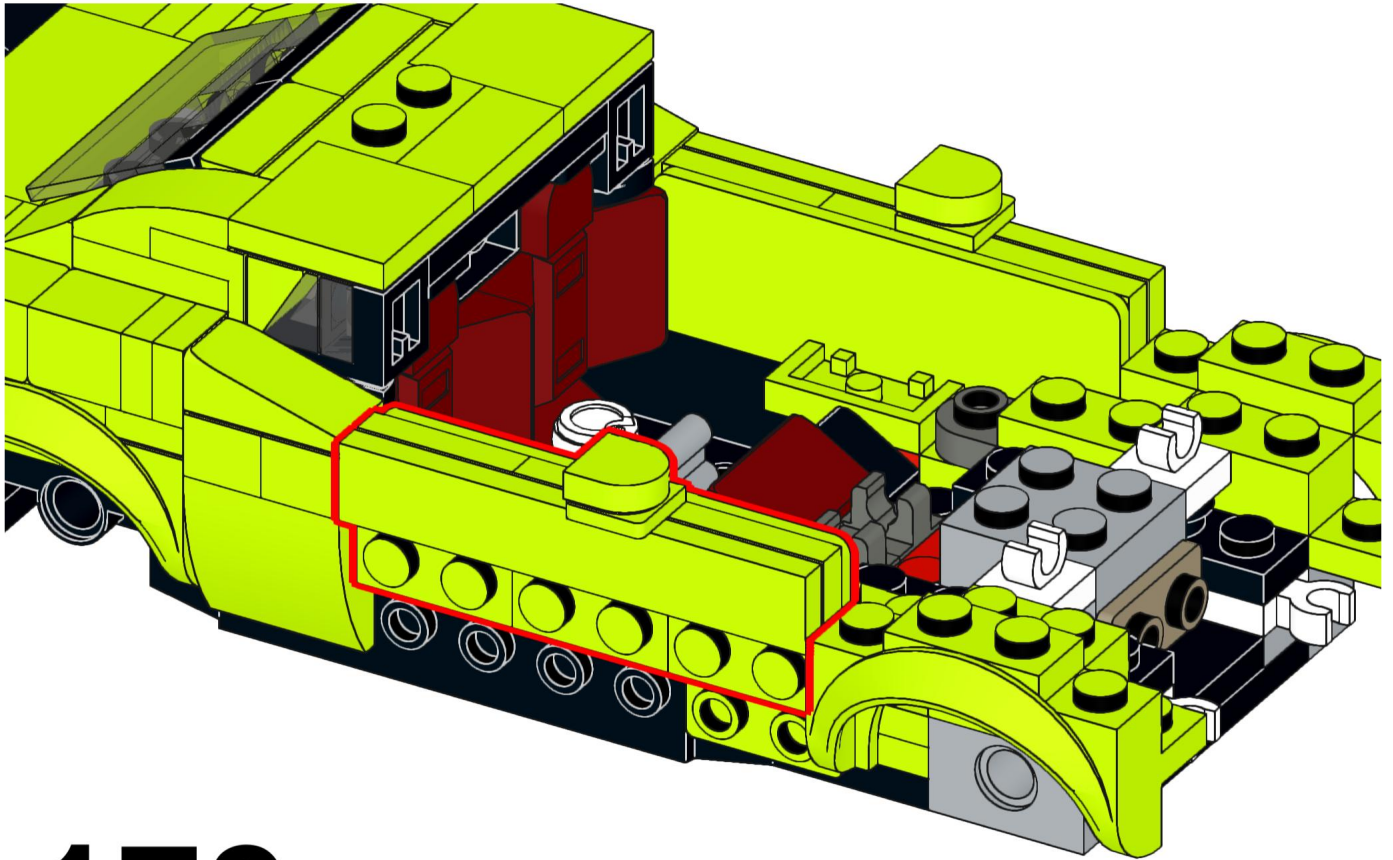


171

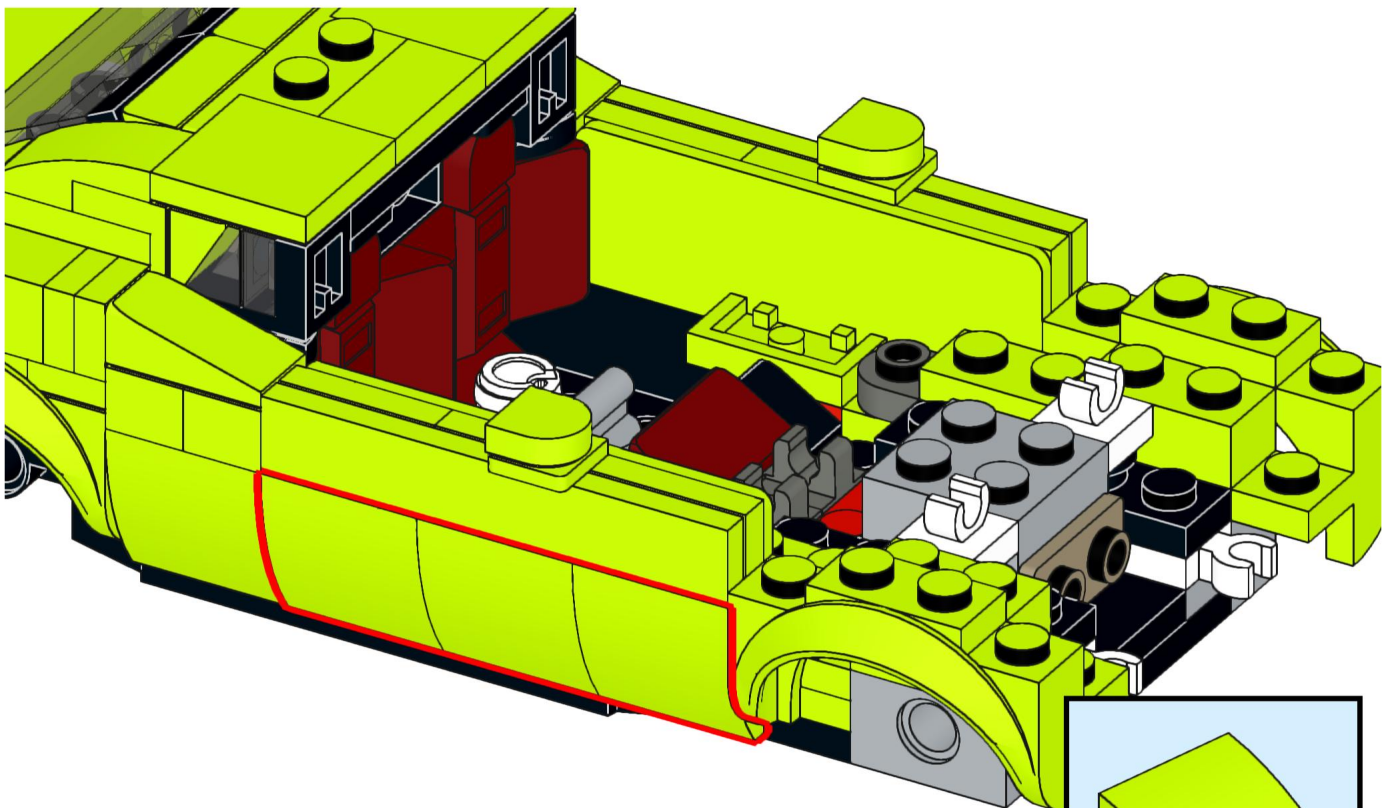


172

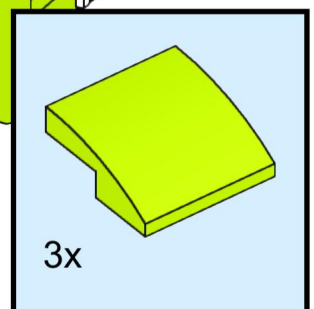




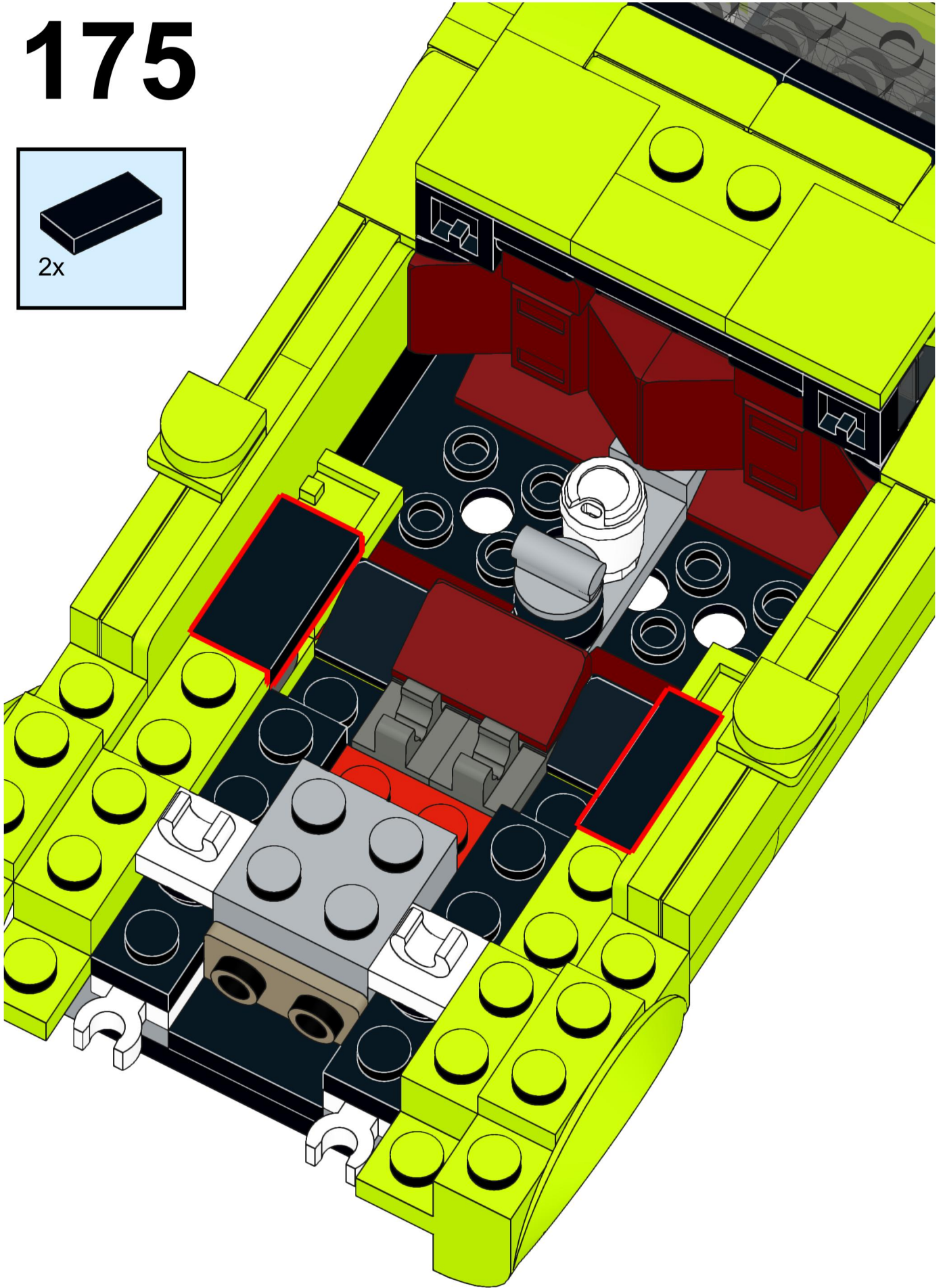
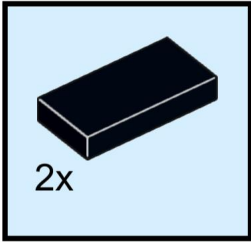
173



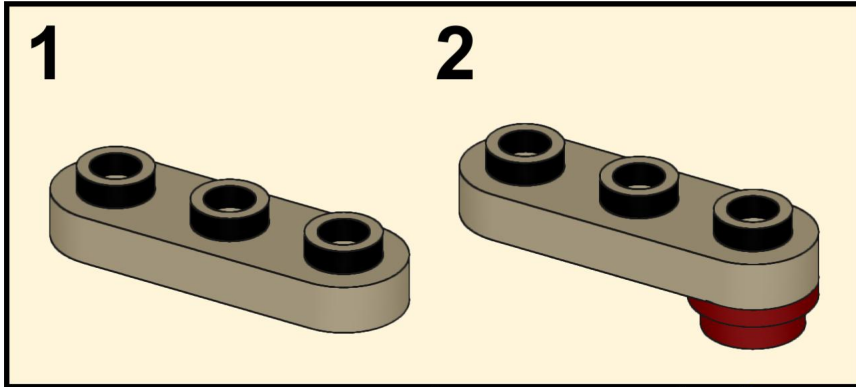
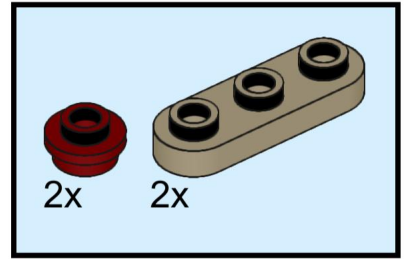
174



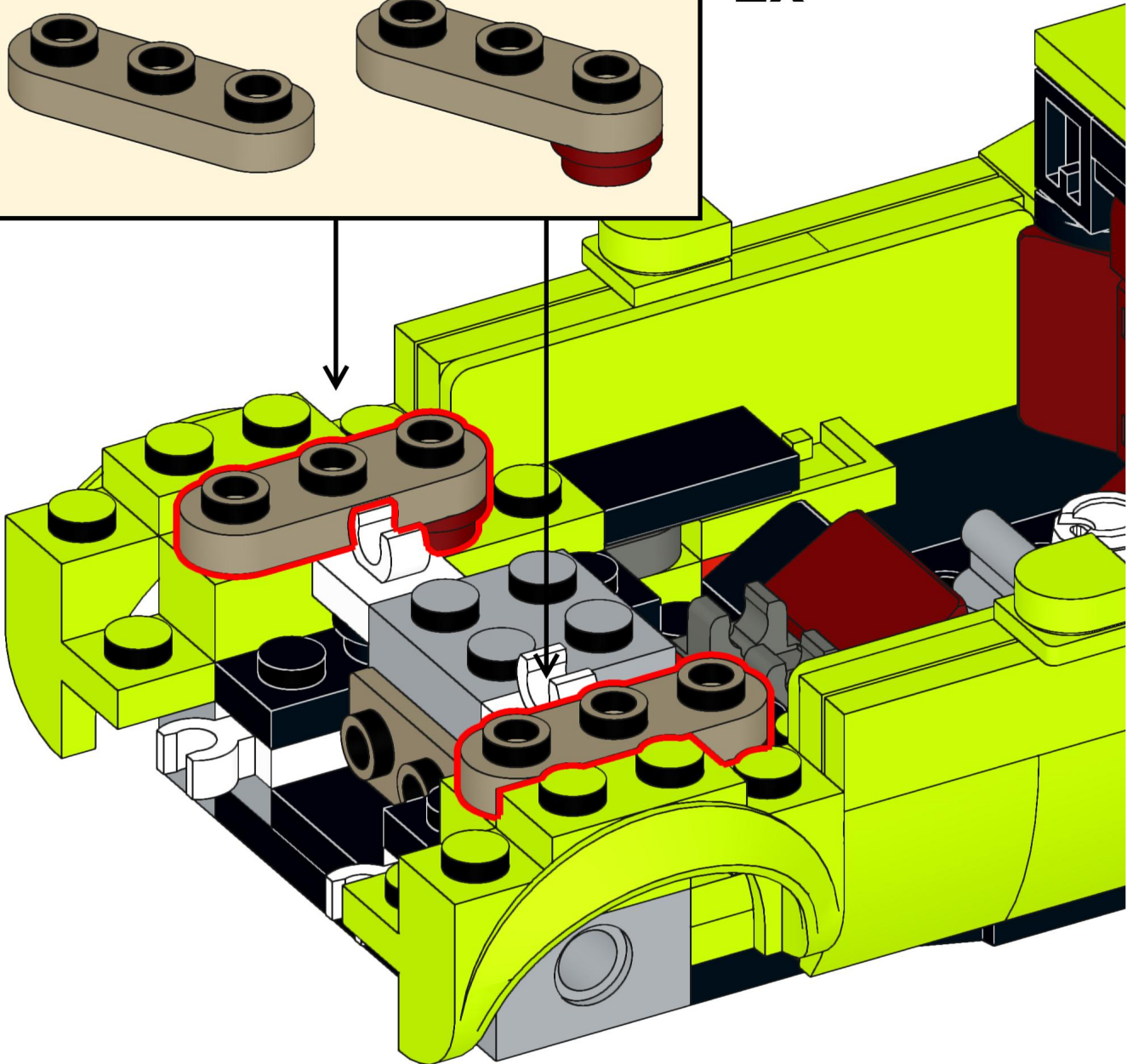
175



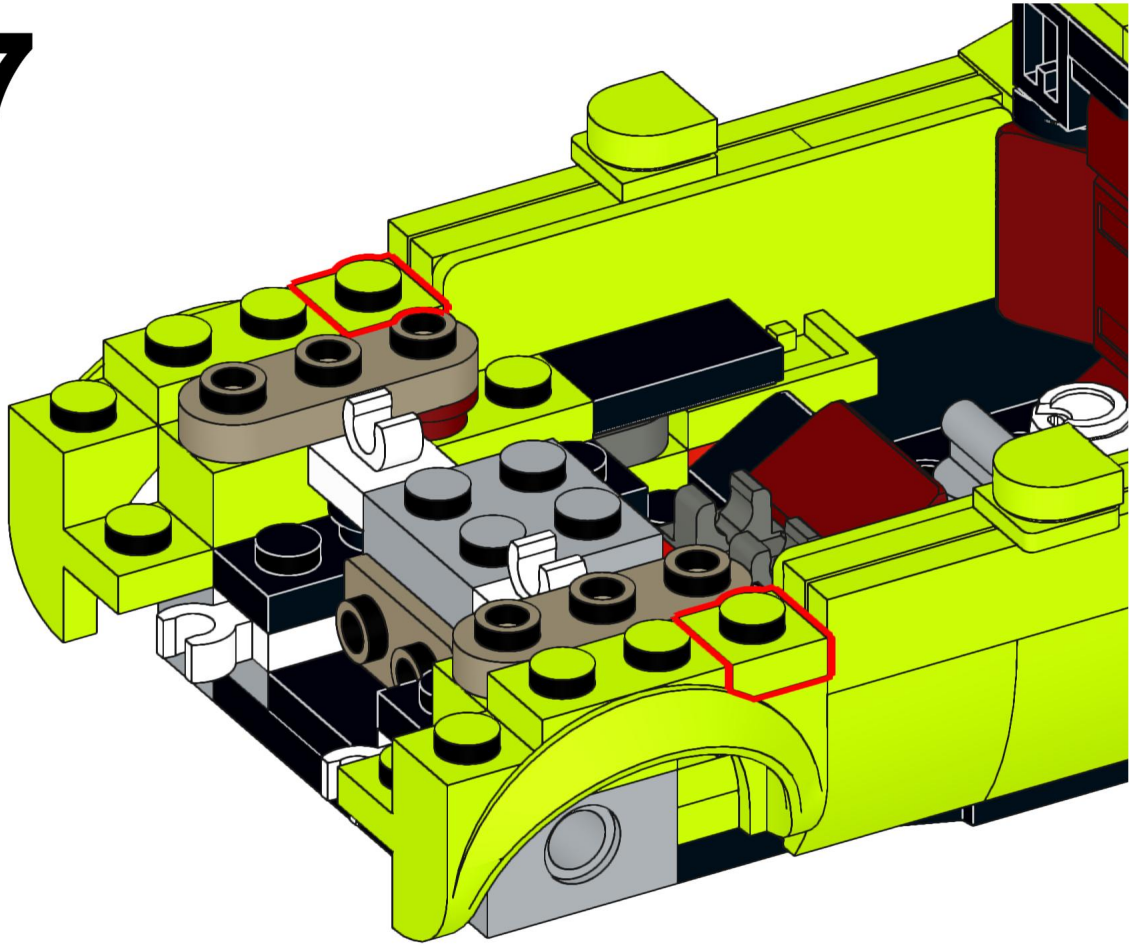
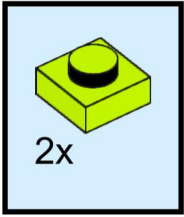
176



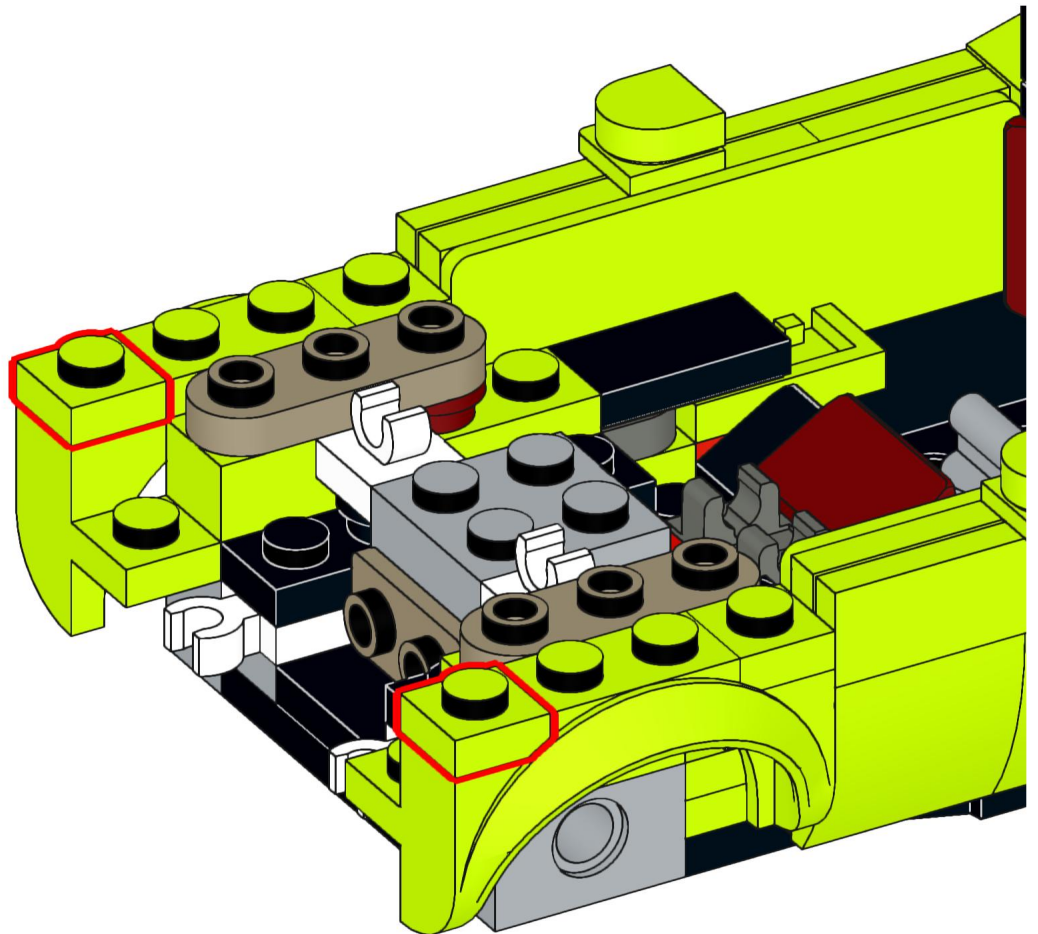
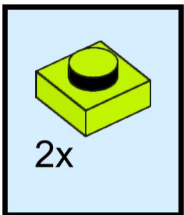
2x



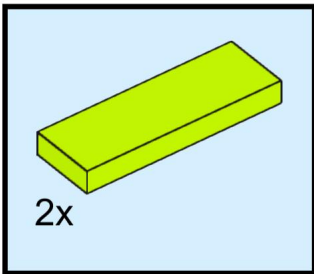
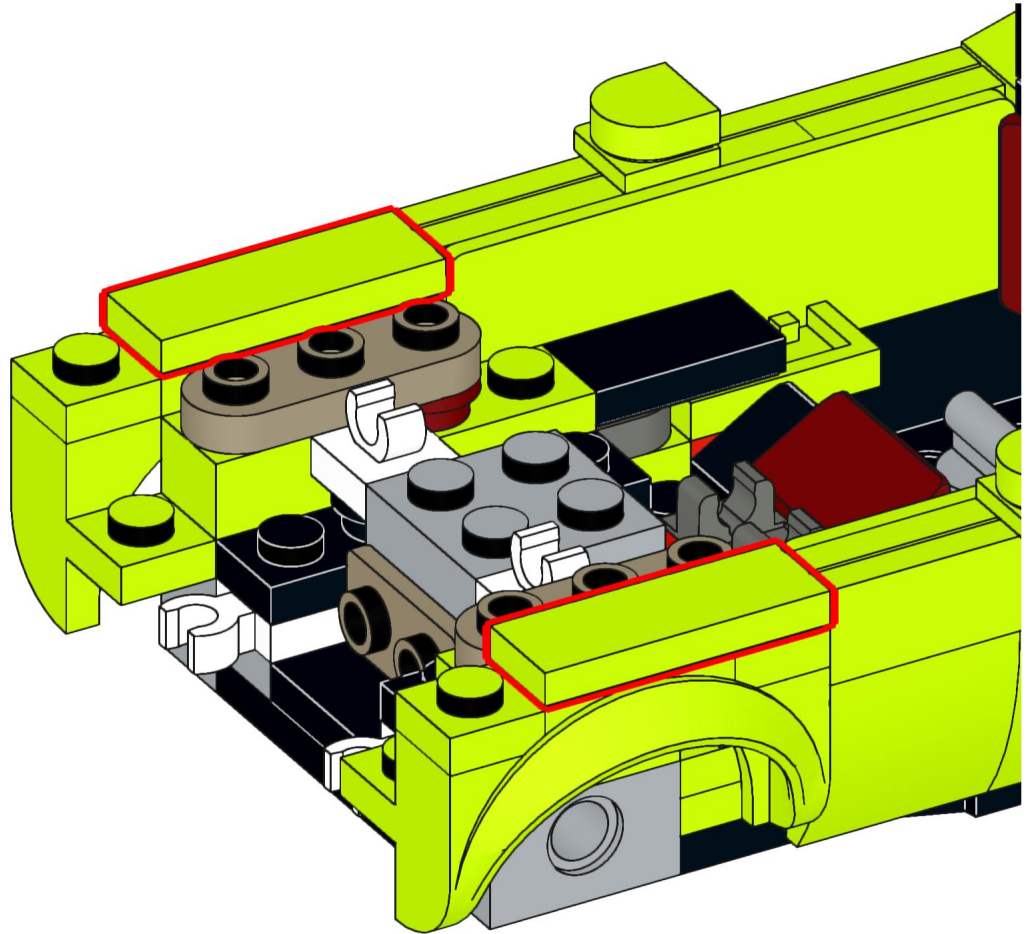
177



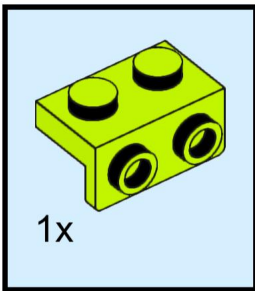
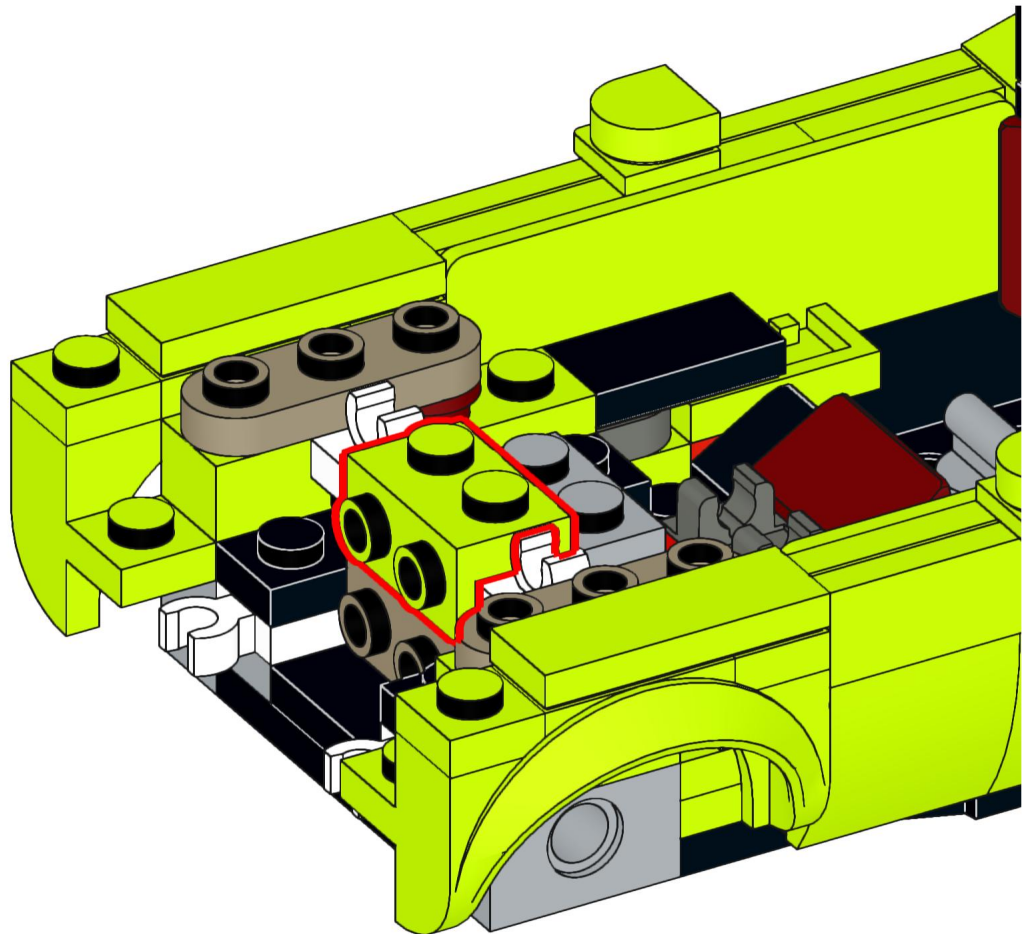
178



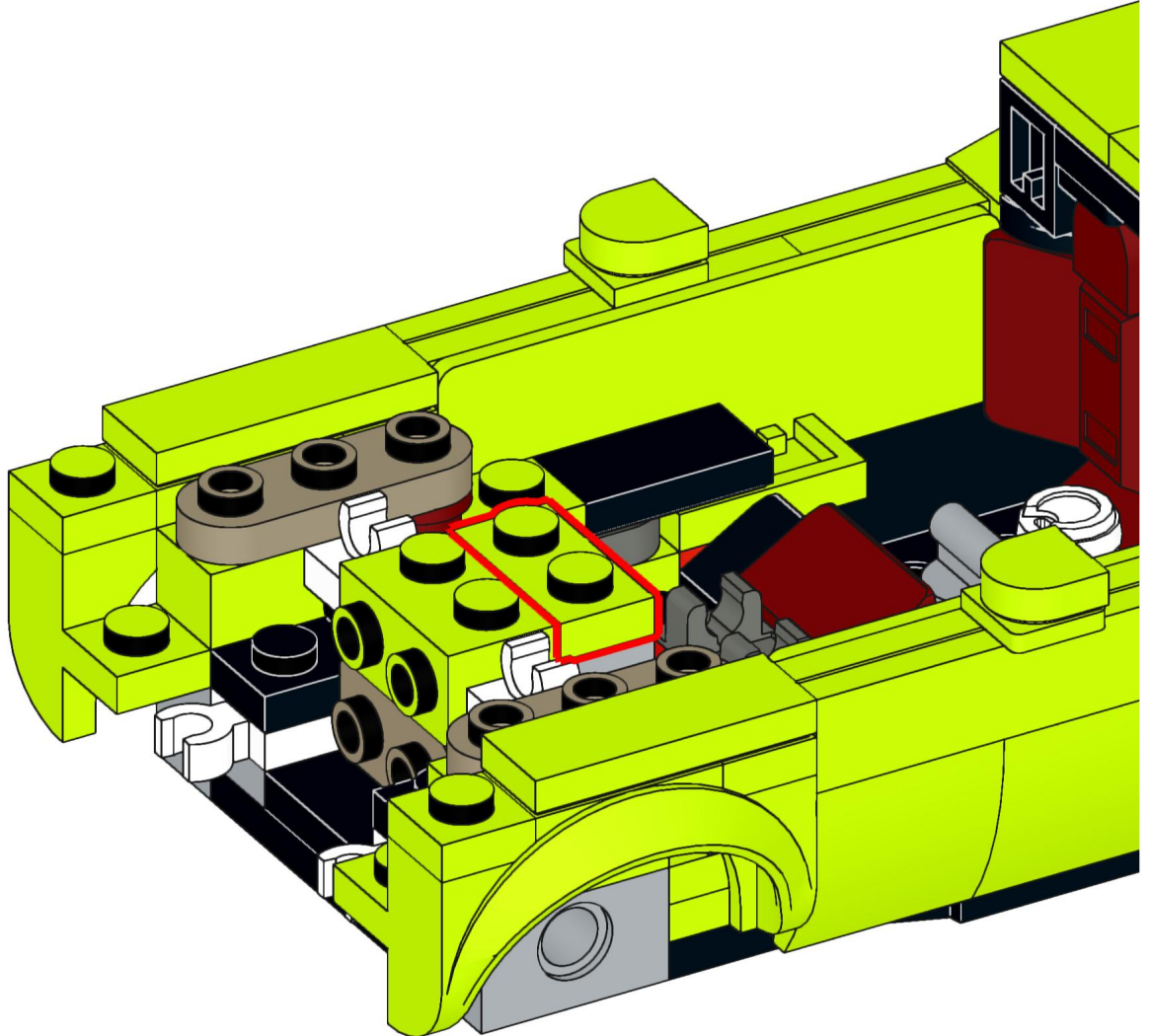
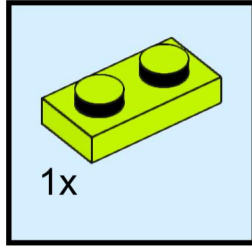
179



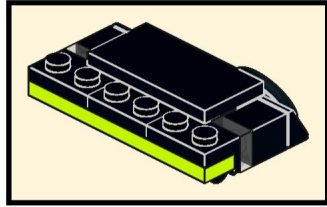
180



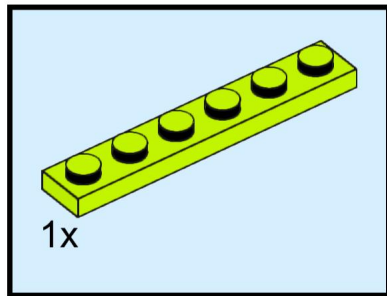
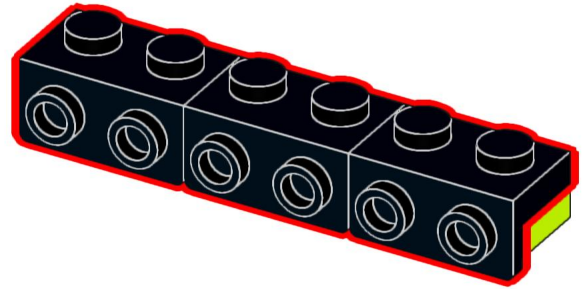
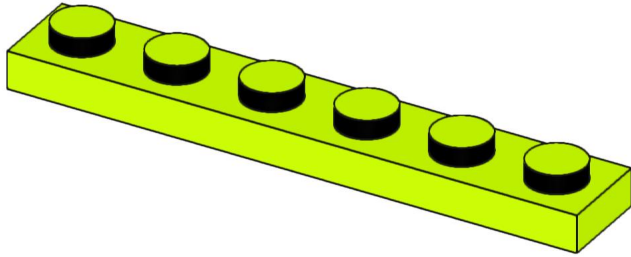
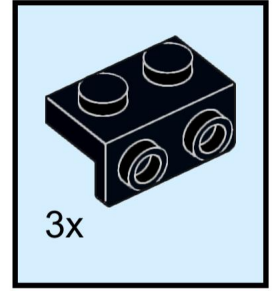
181



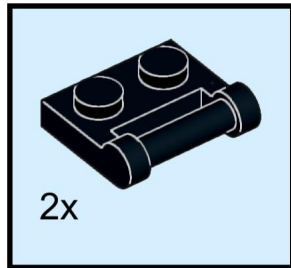
182



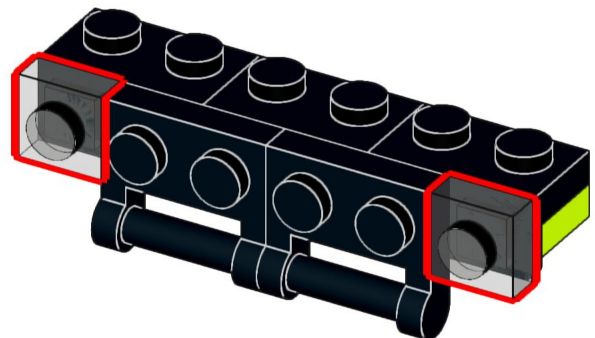
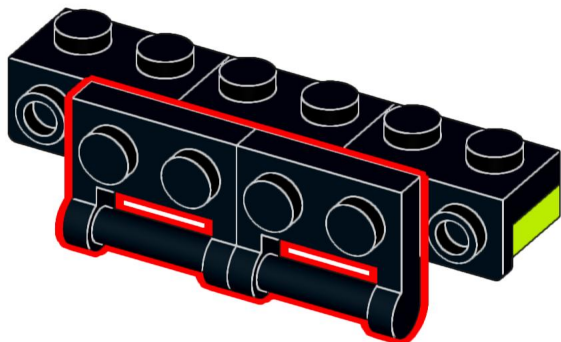
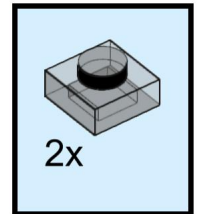
183



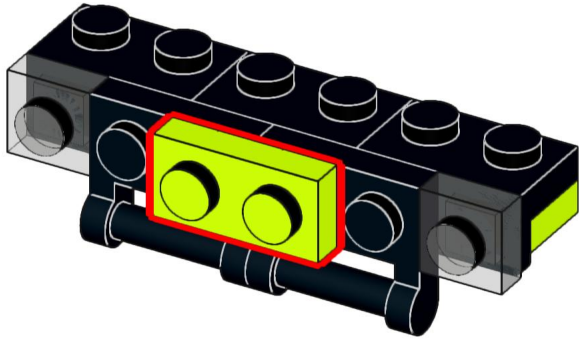
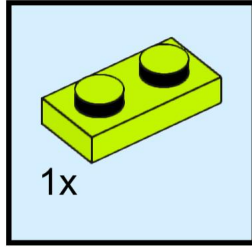
184



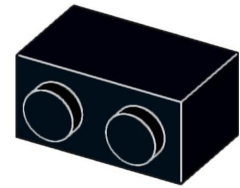
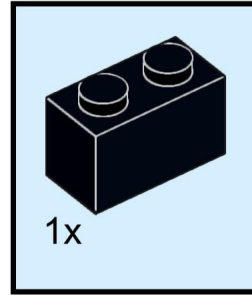
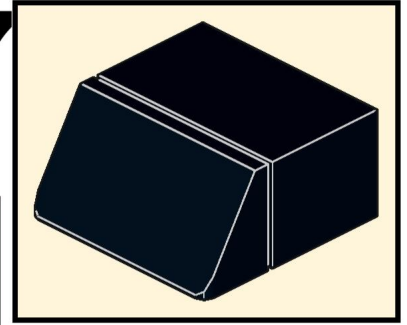
185



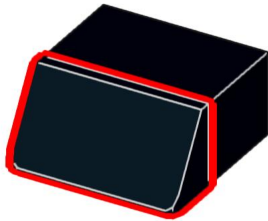
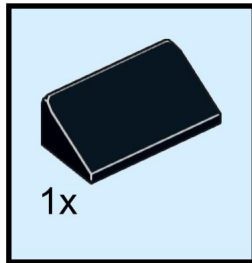
186



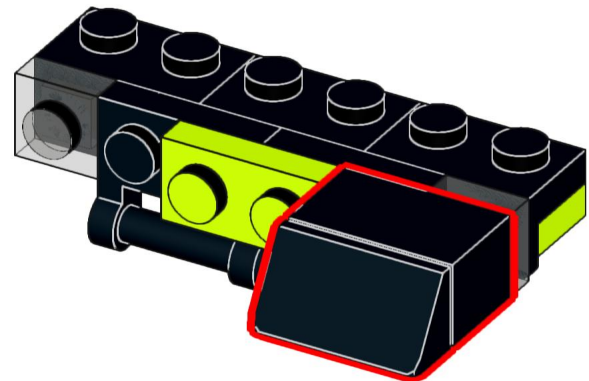
187



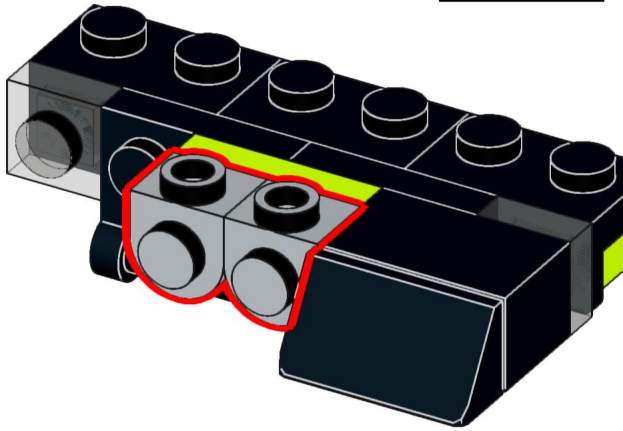
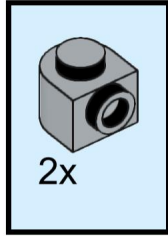
188



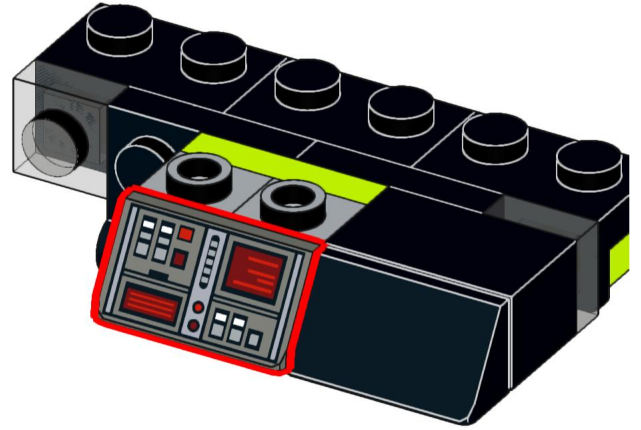
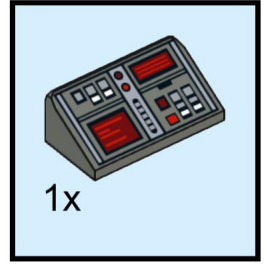
189



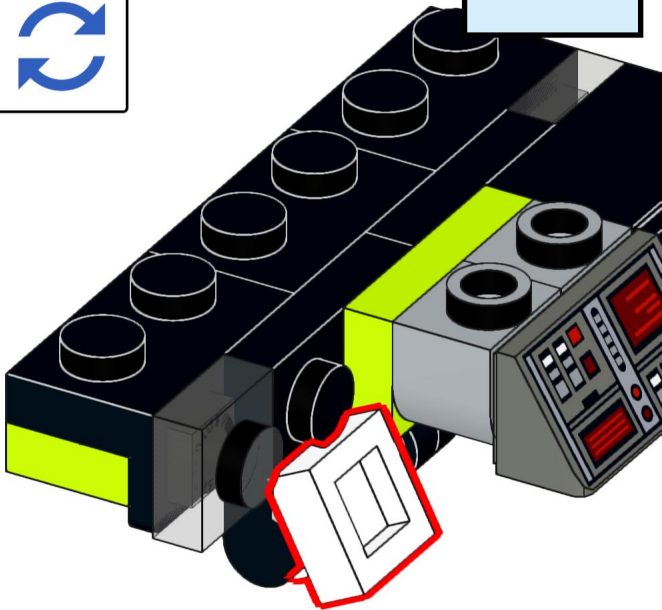
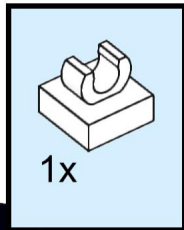
190



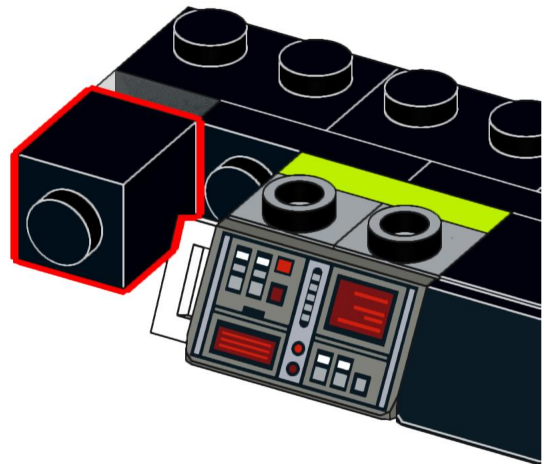
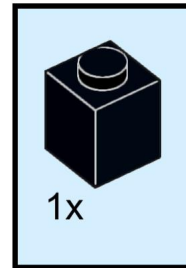
191



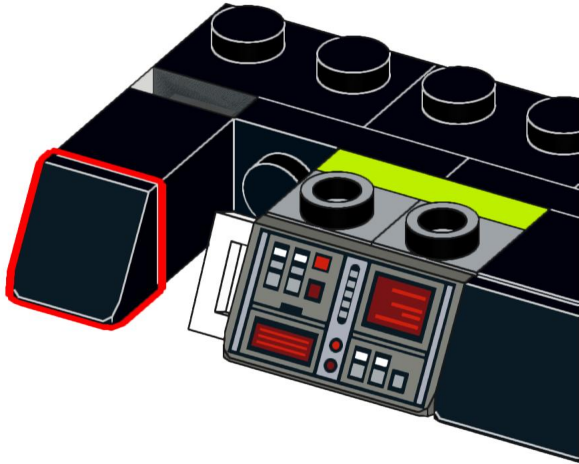
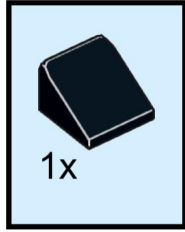
192



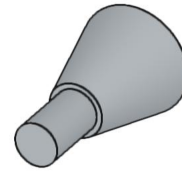
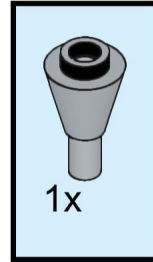
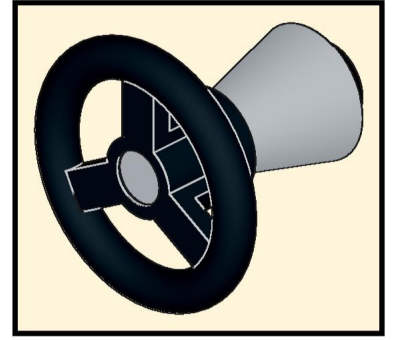
193



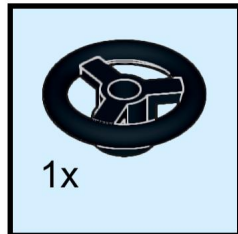
194



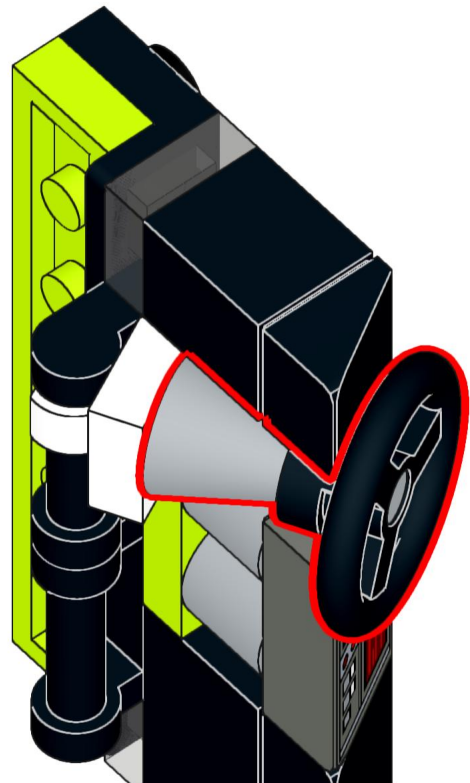
195



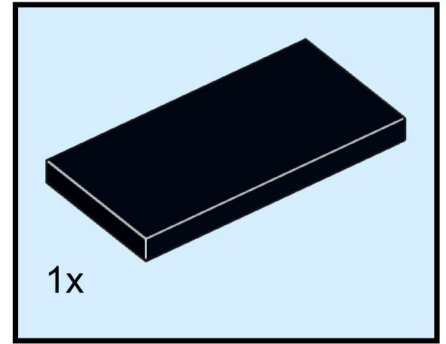
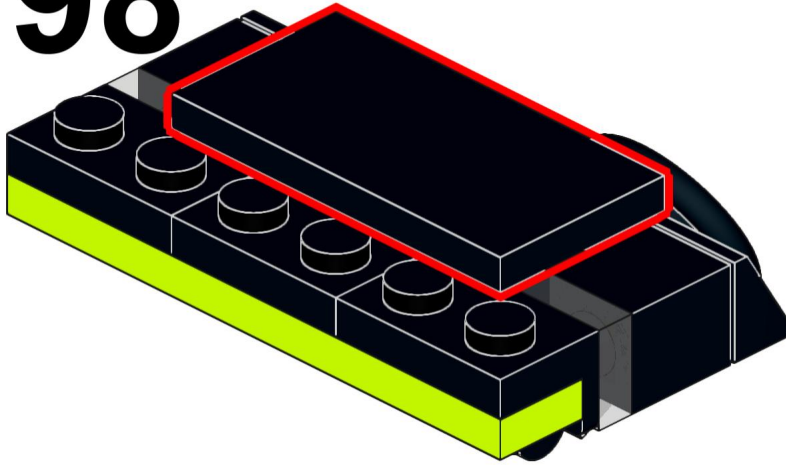
196



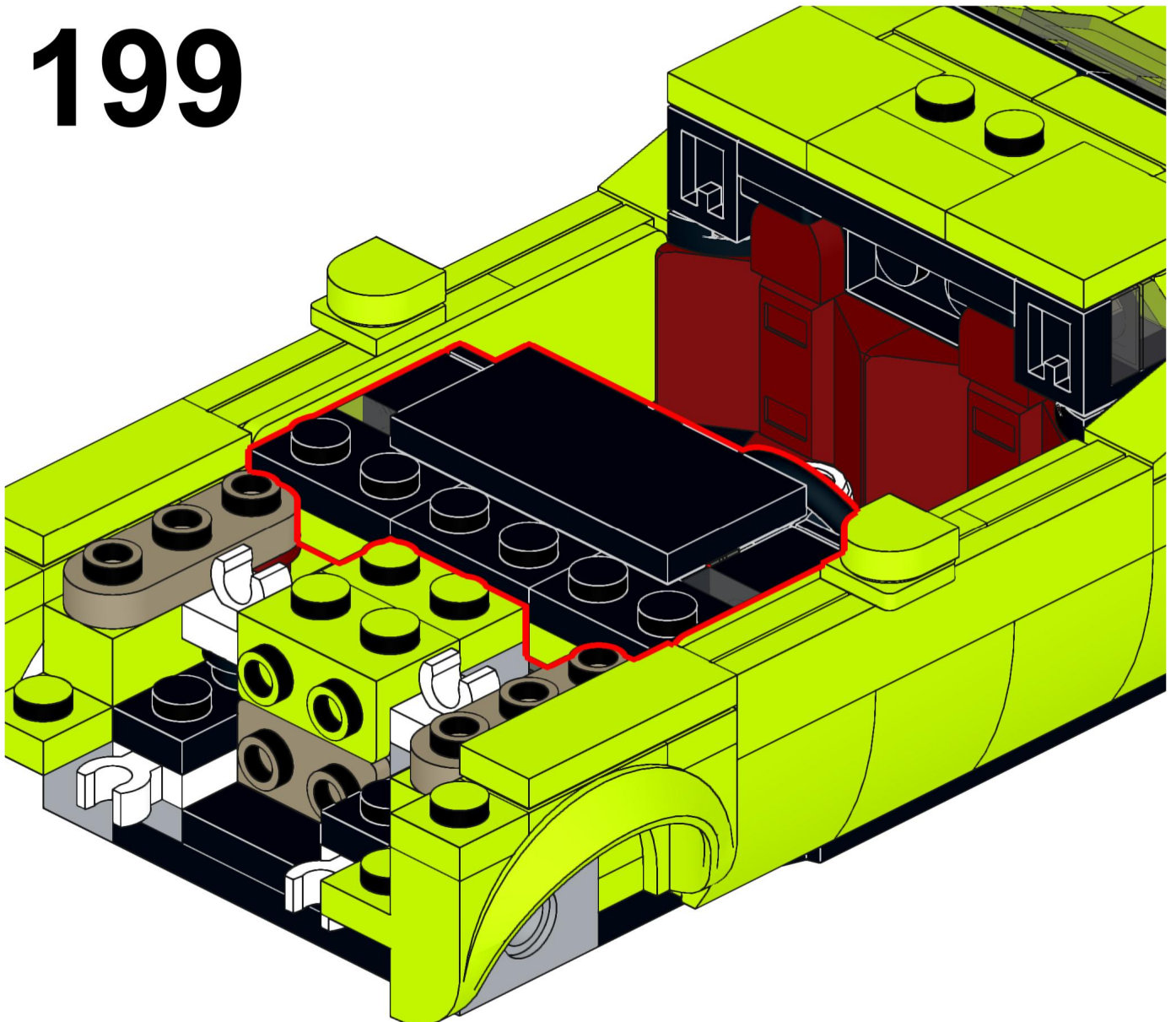
197



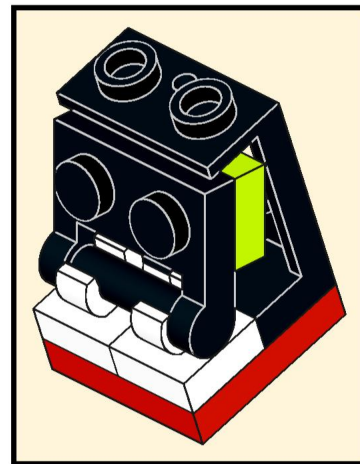
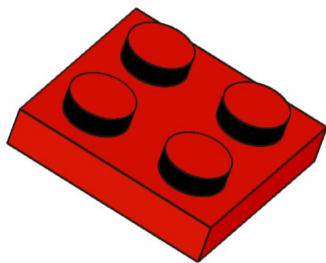
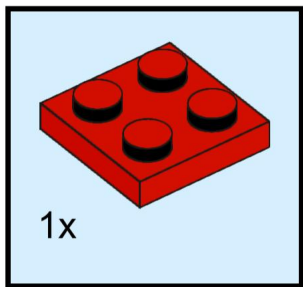
198



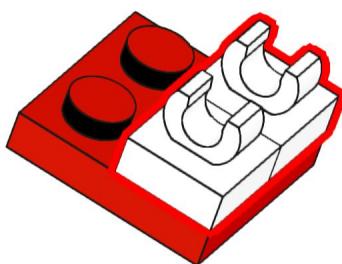
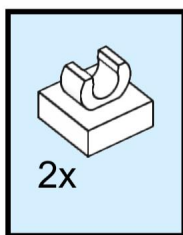
199



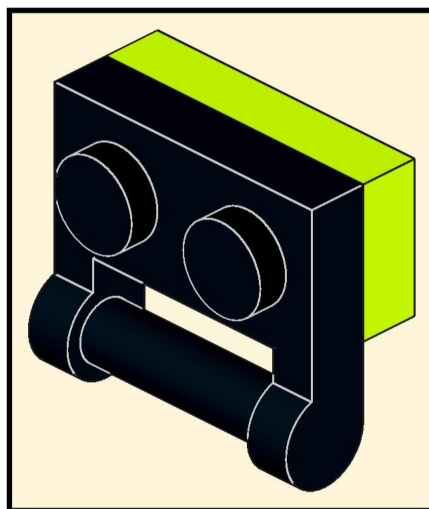
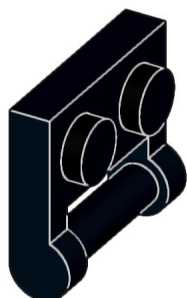
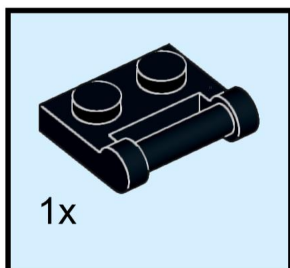
200



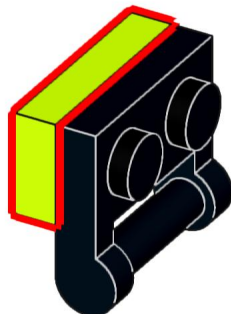
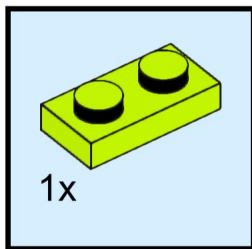
201



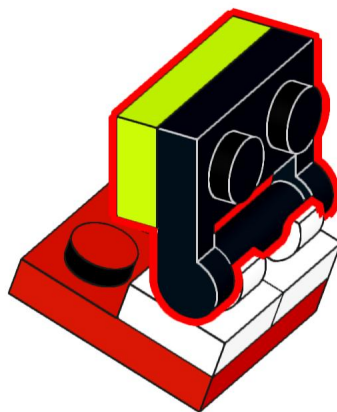
202



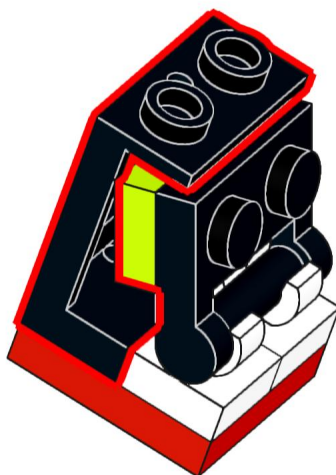
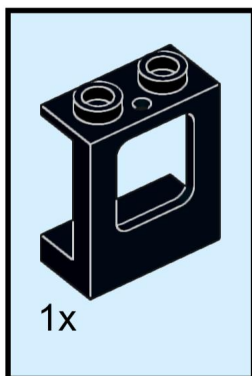
203



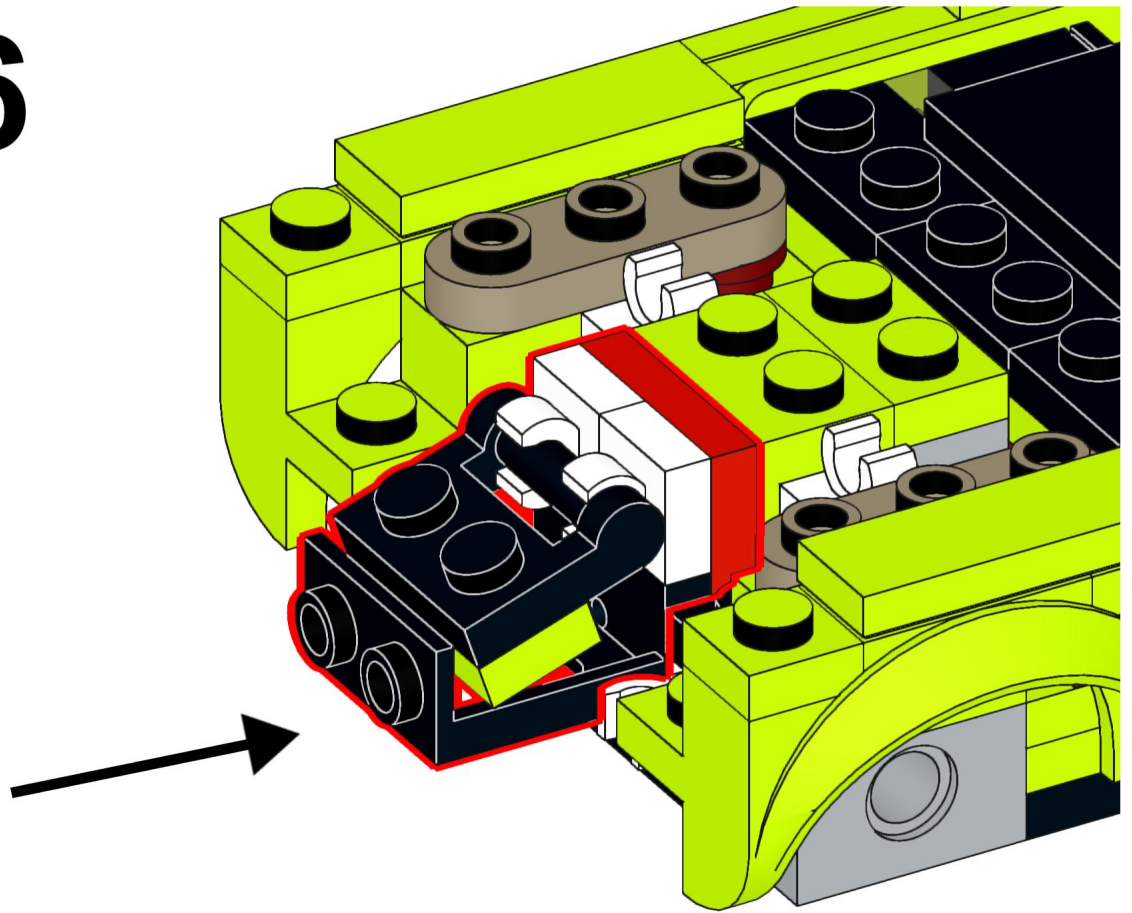
204



205

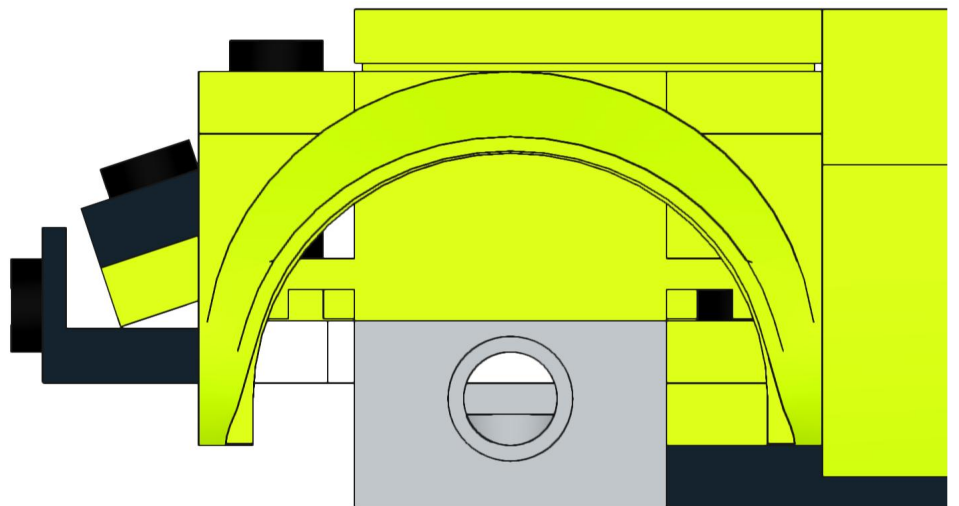


206

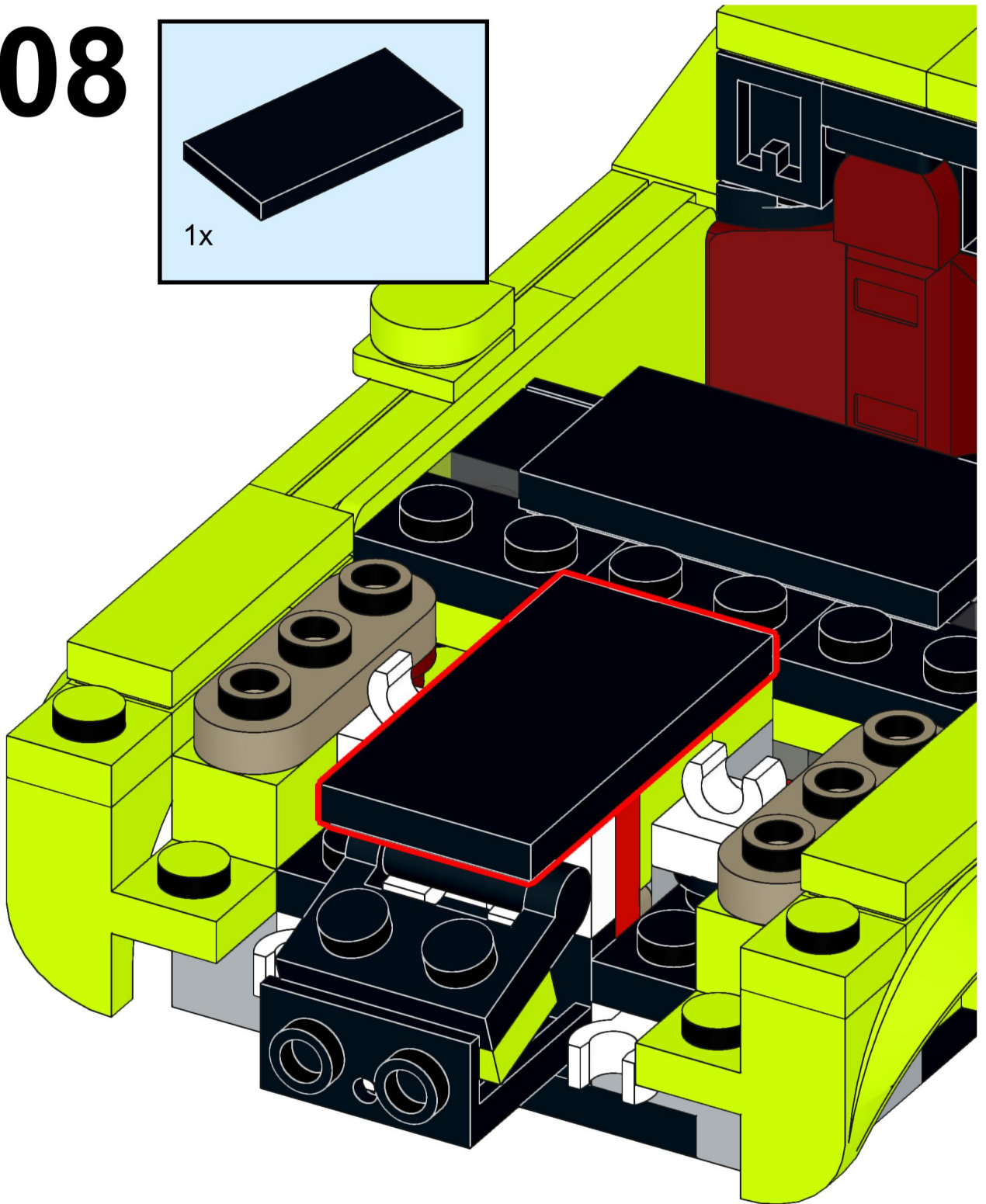
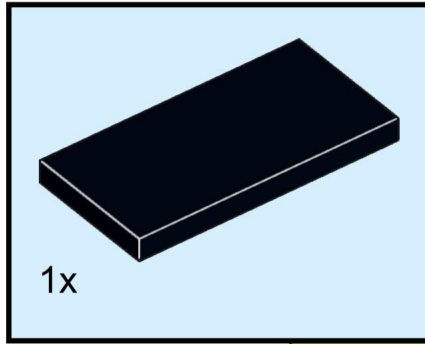


207

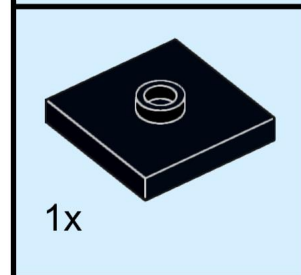
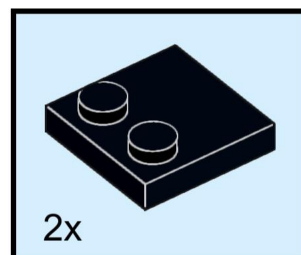
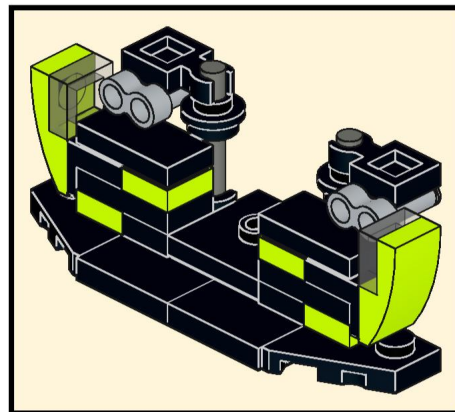
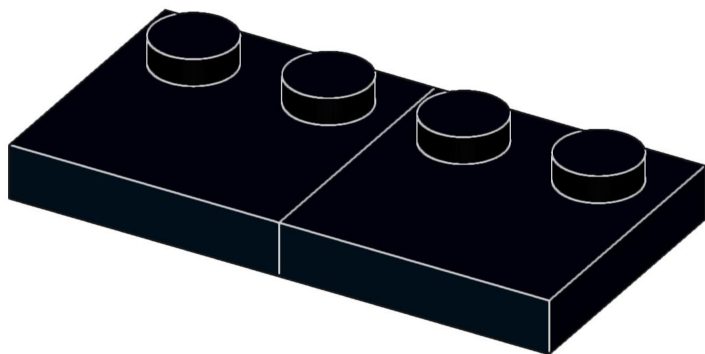
Position Helper



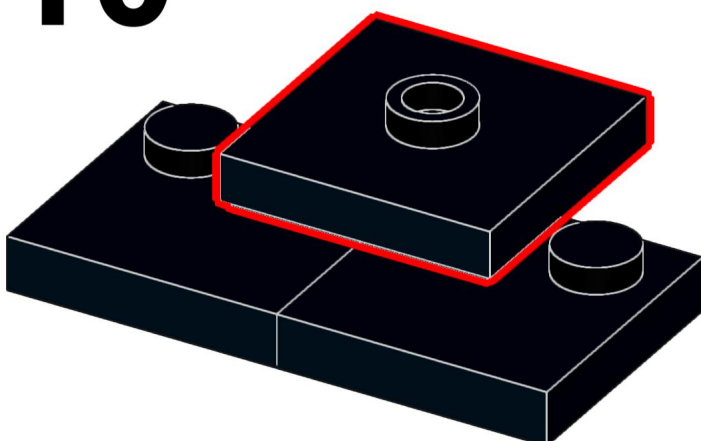
208



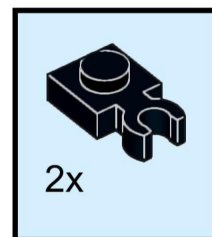
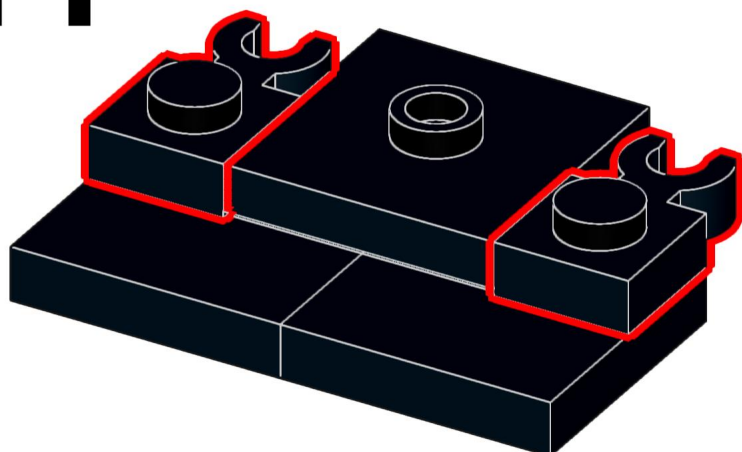
209



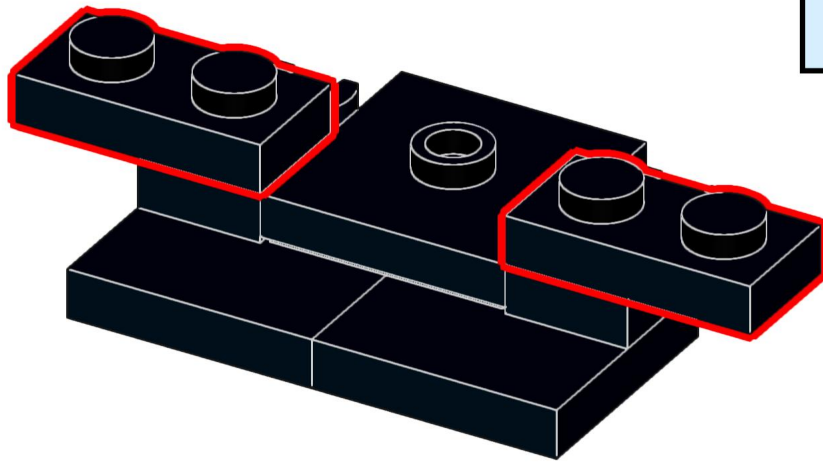
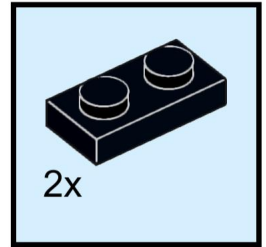
210



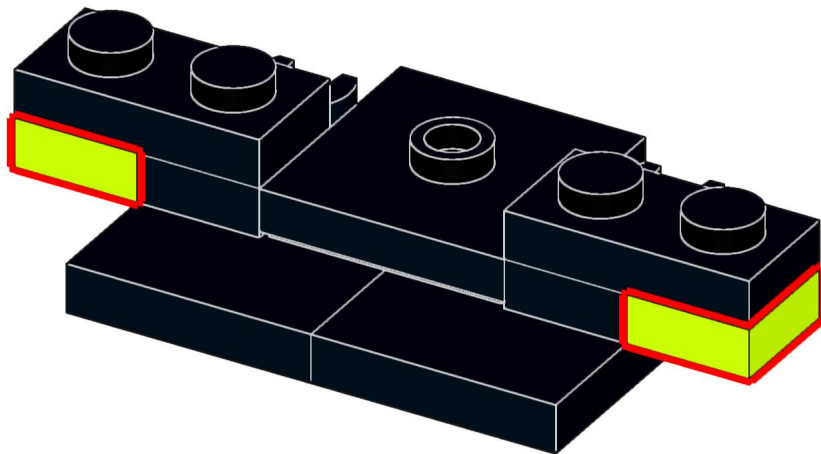
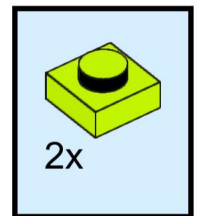
211



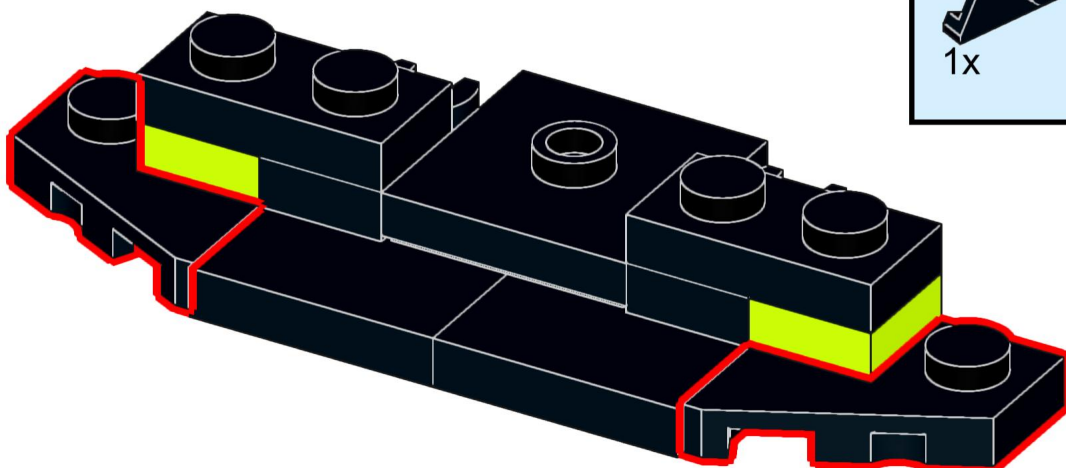
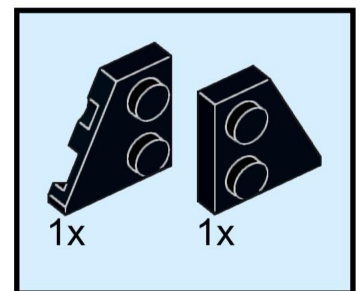
212



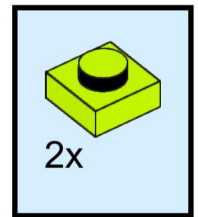
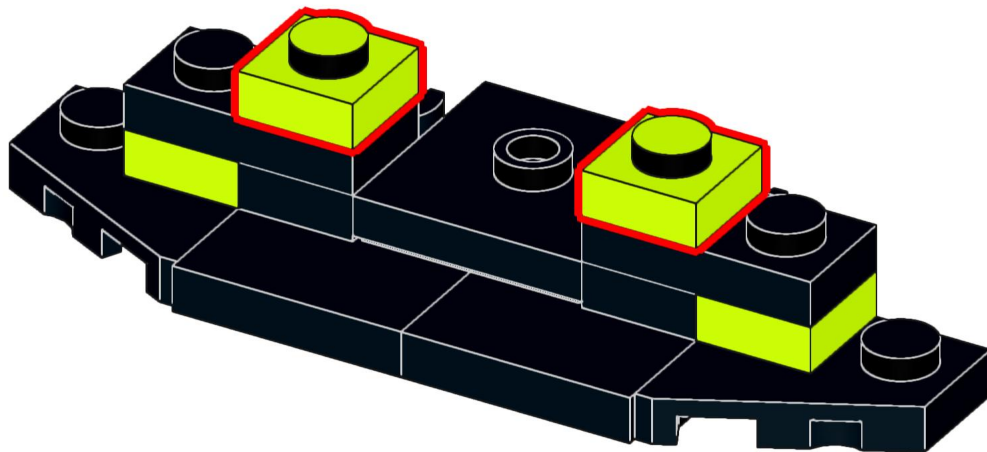
213



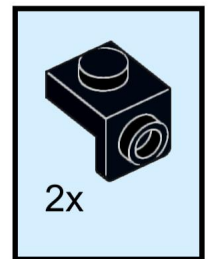
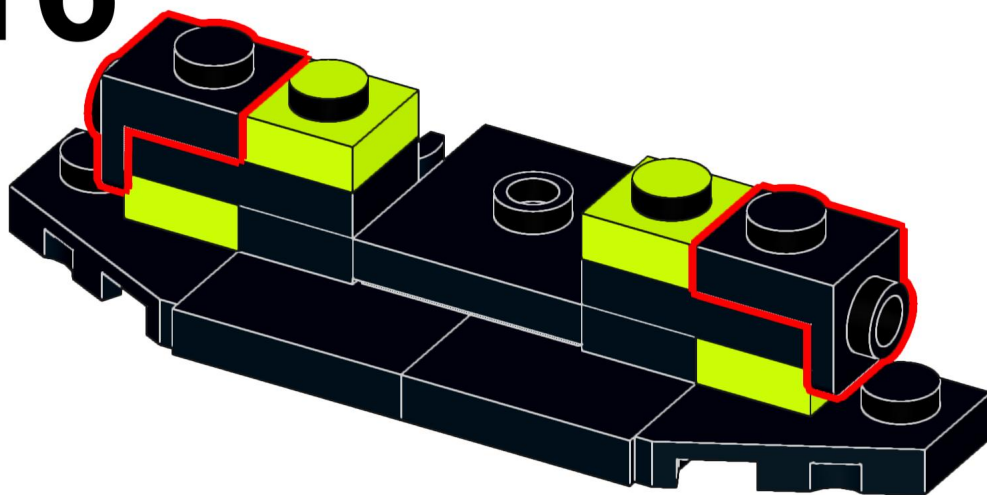
214



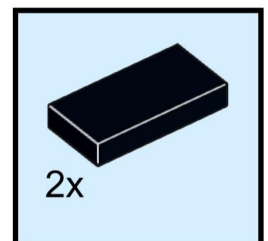
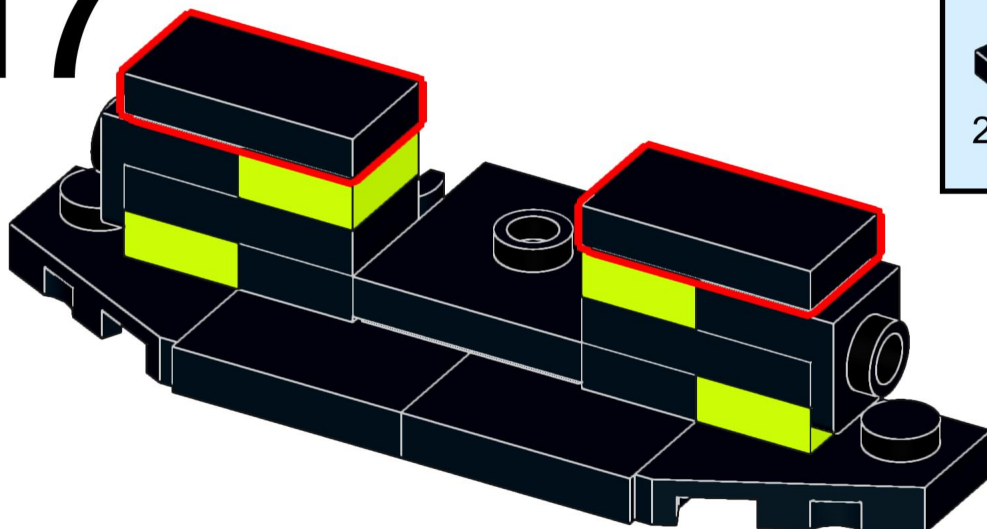
215



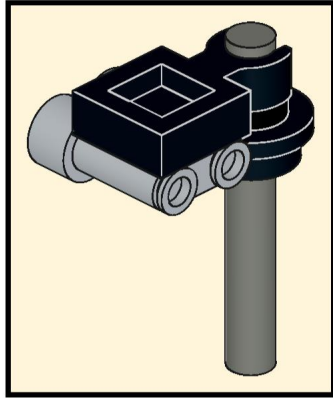
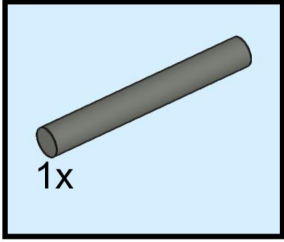
216



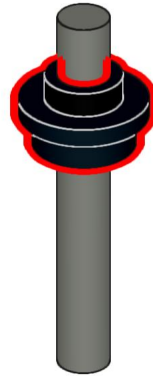
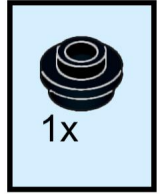
217



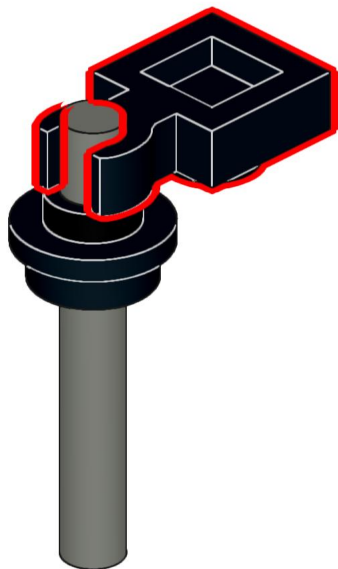
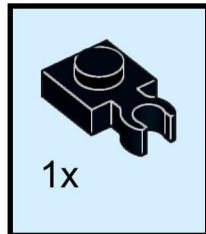
220



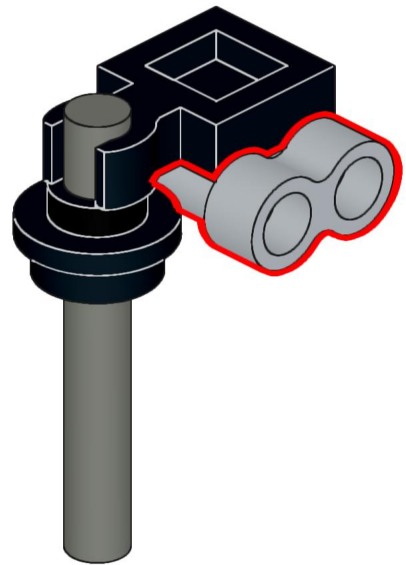
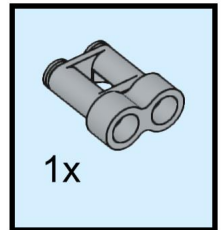
221



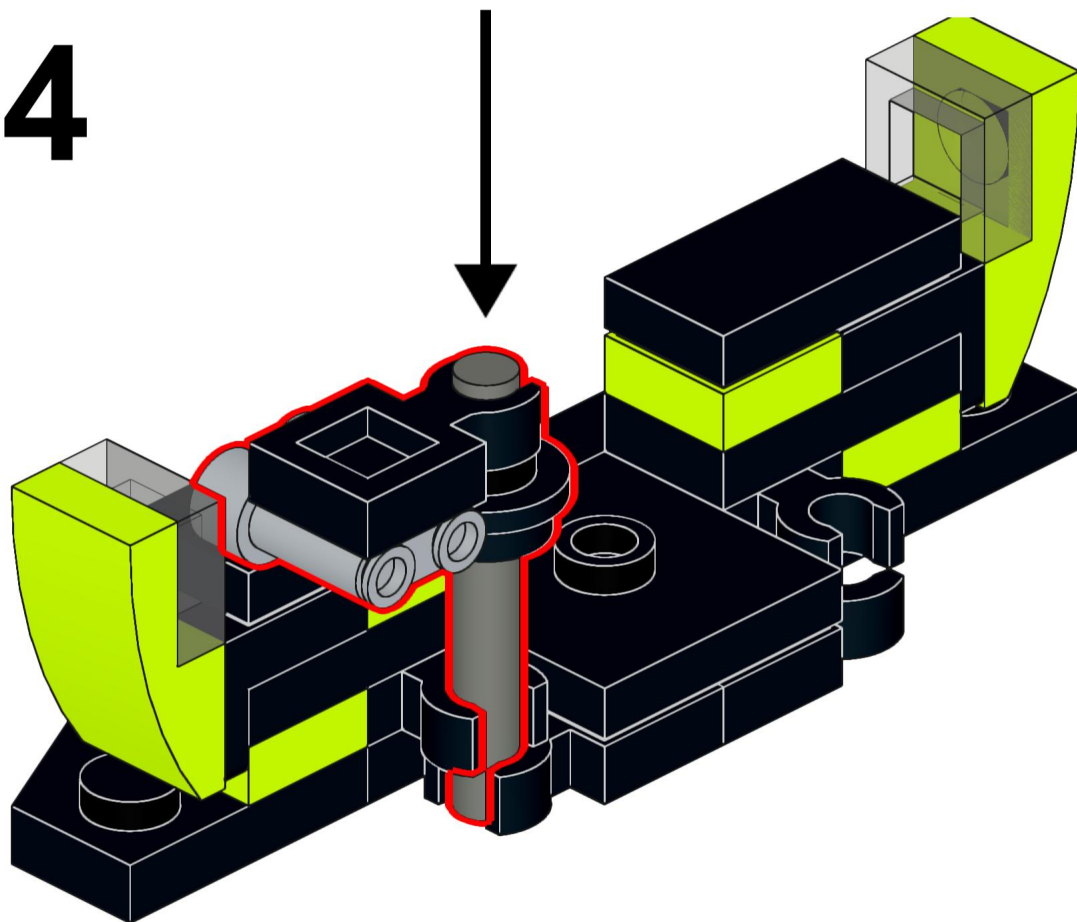
222



223

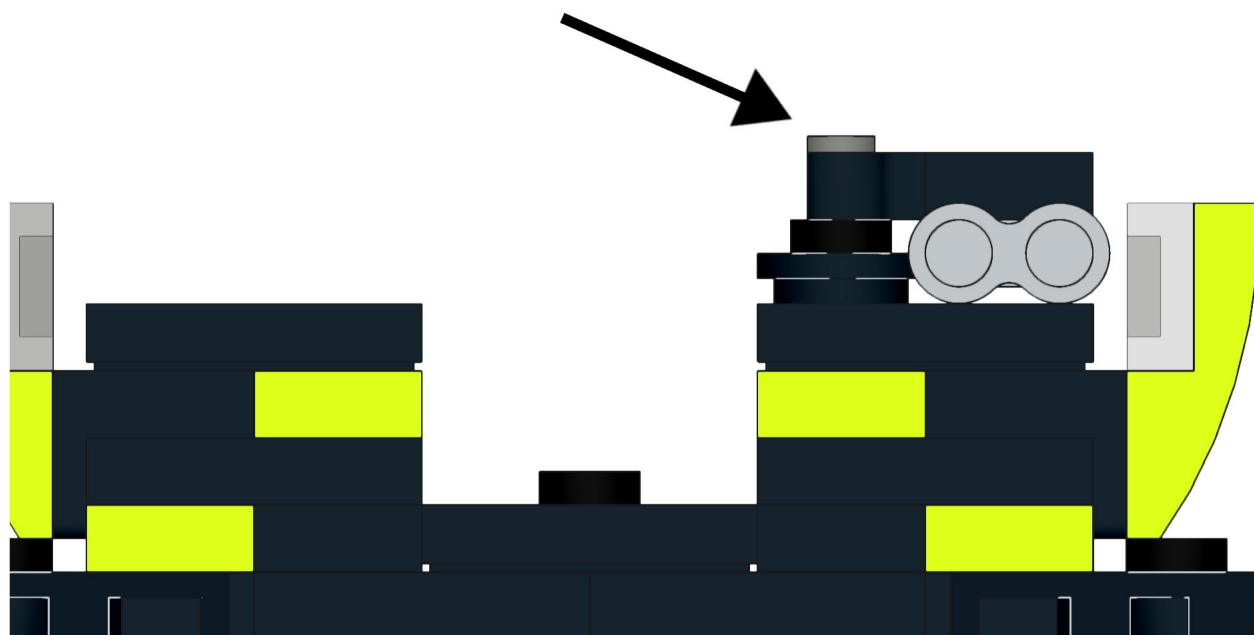


224

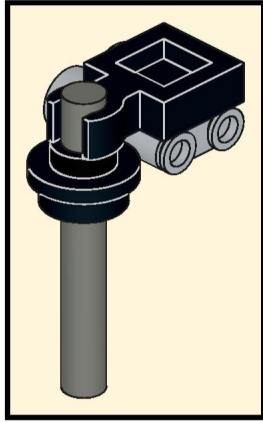
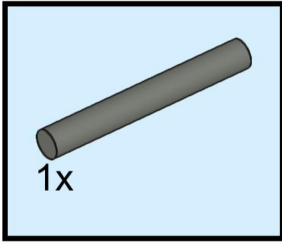


225

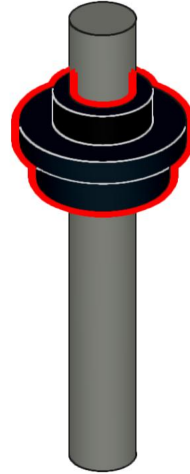
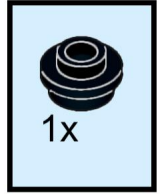
You should have a gap like this when you position the pieces



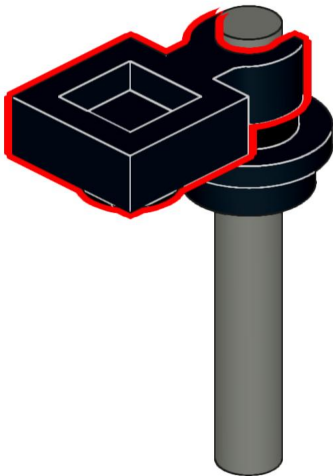
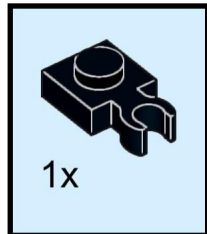
226



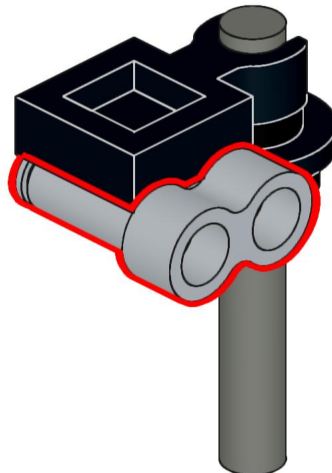
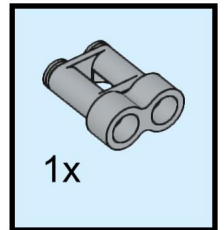
227



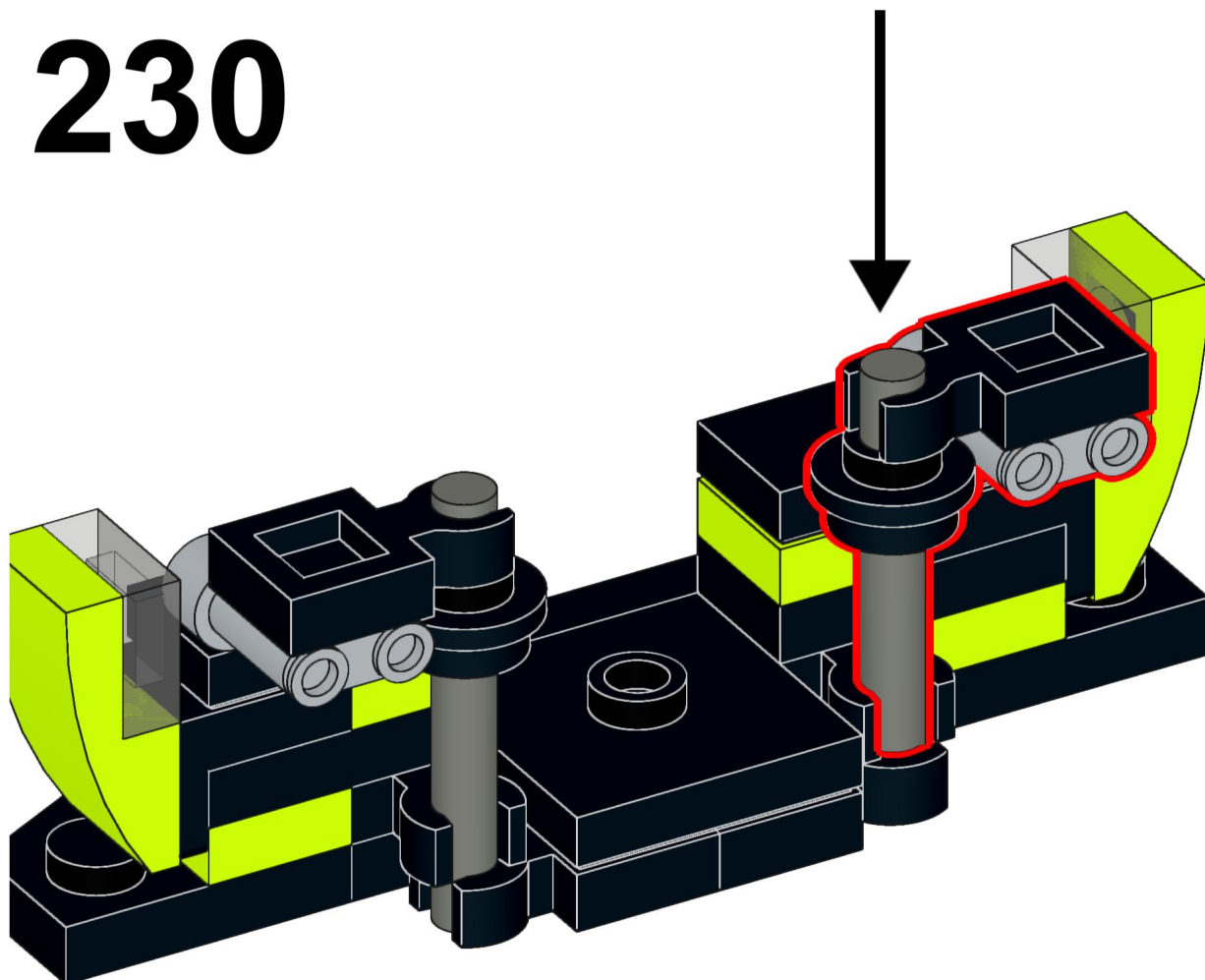
228



229

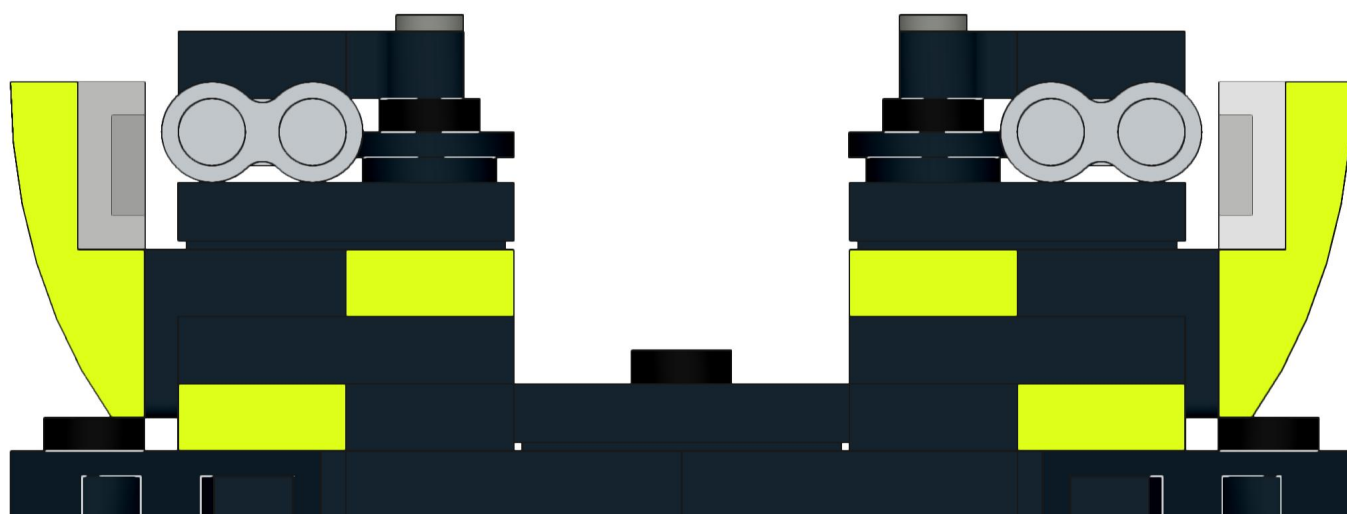


230

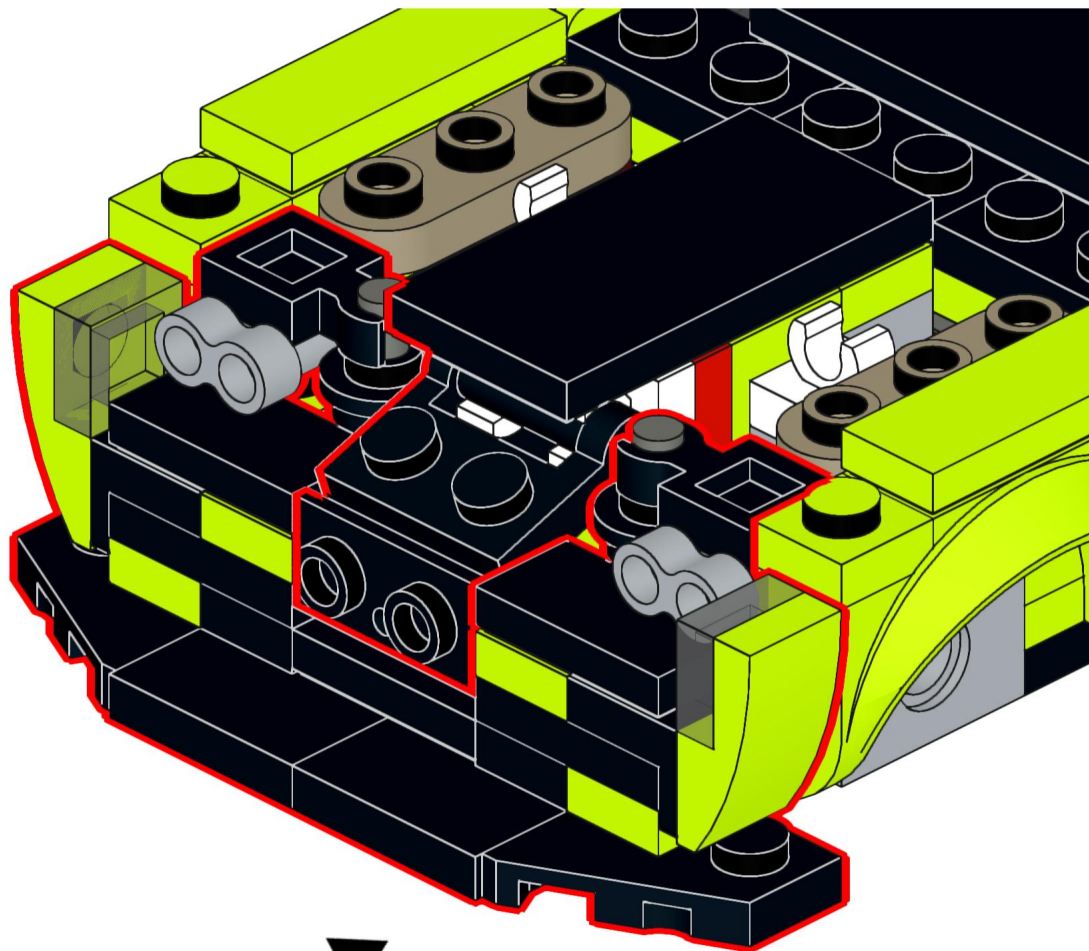


231

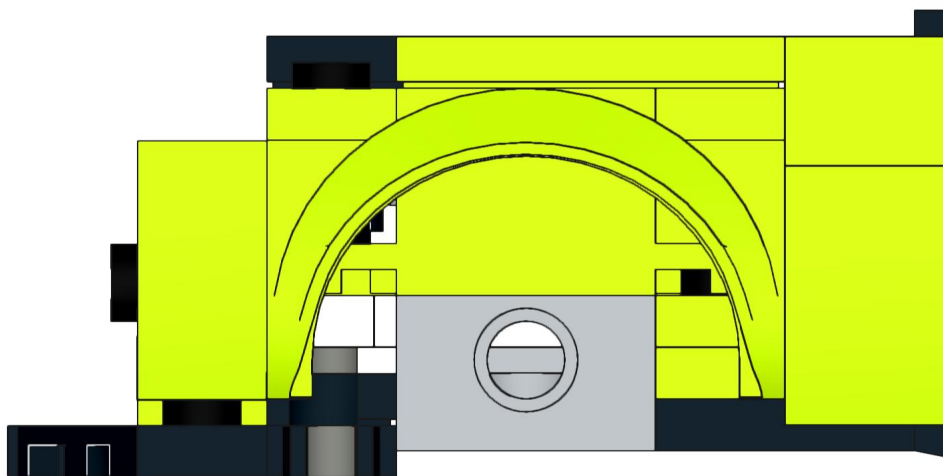
The top of the bars should stick out as much as you can see on the picture below



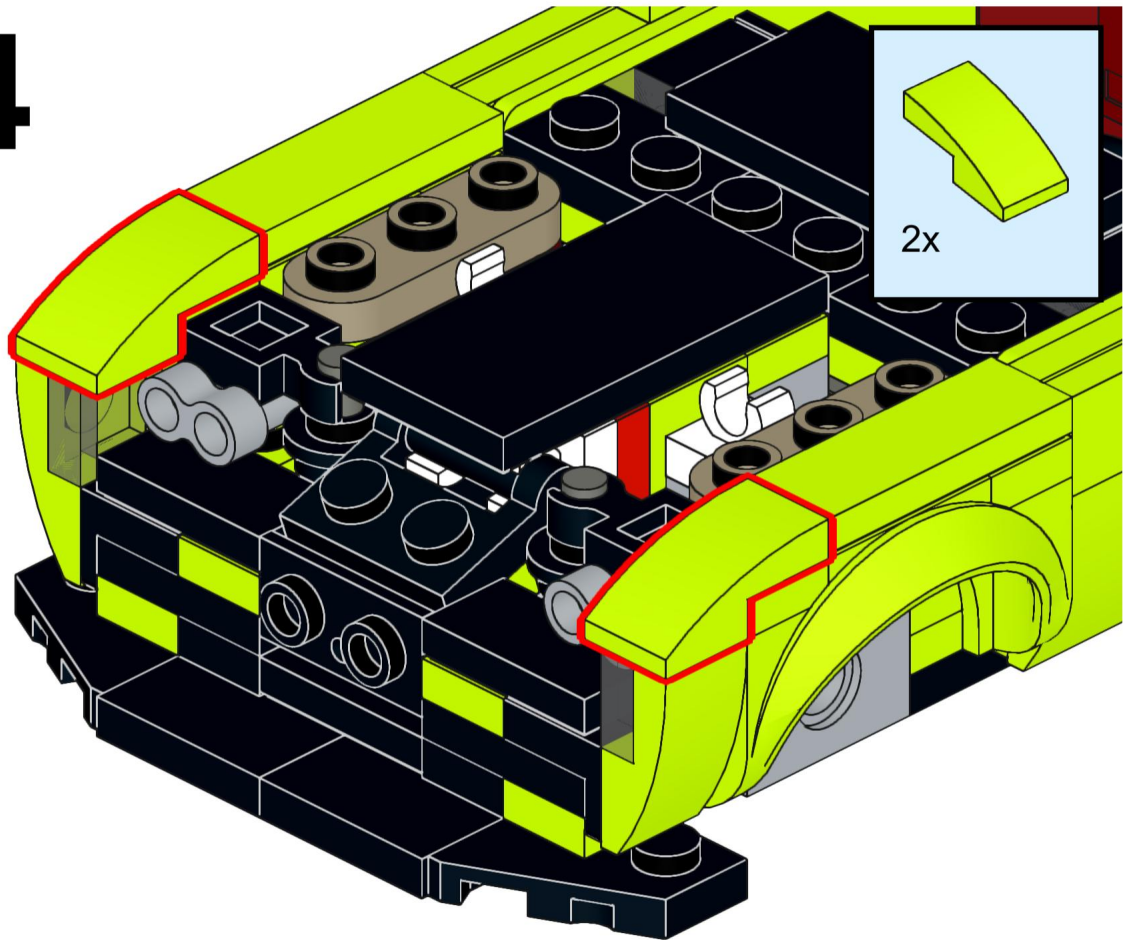
232



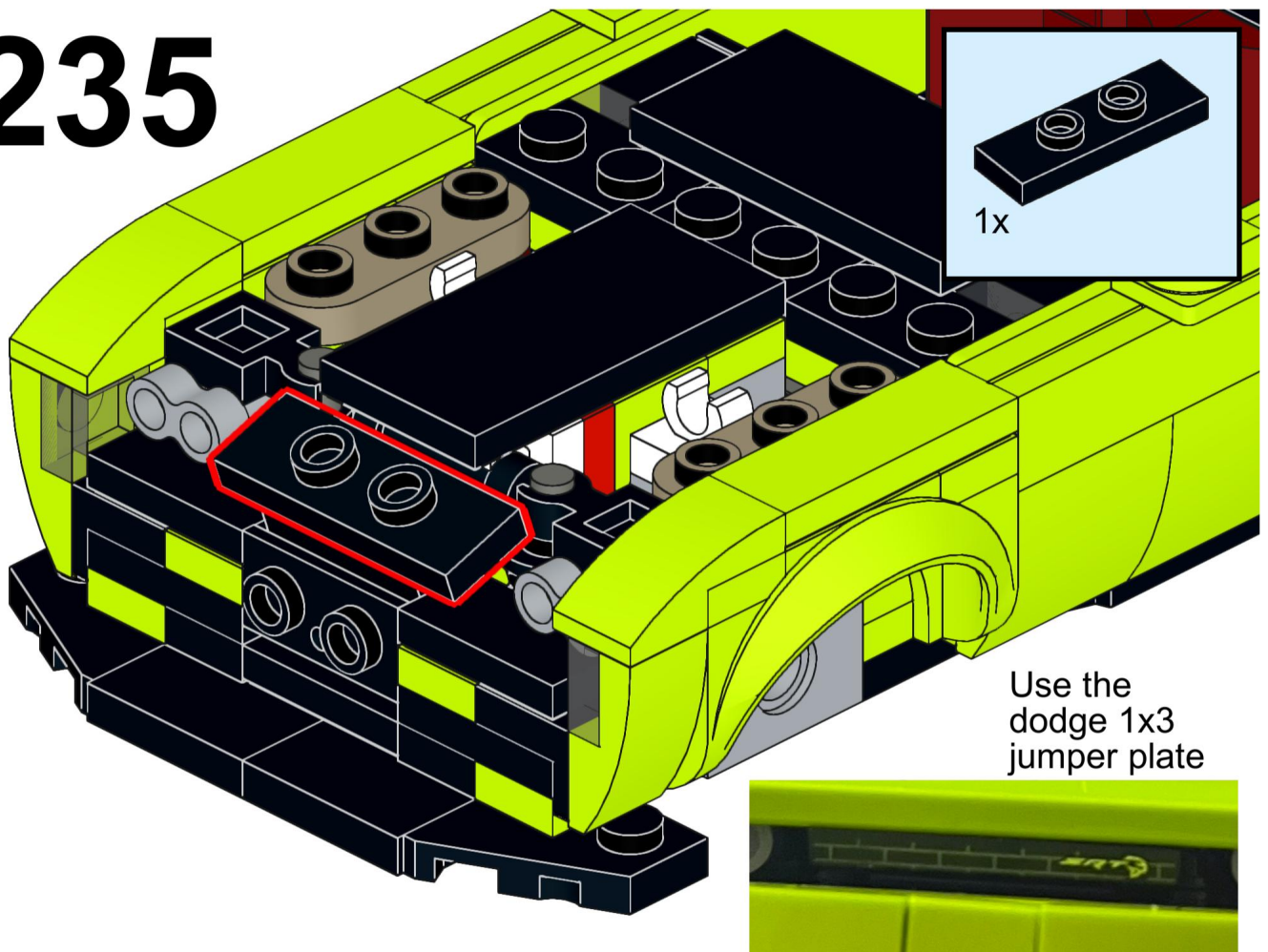
233



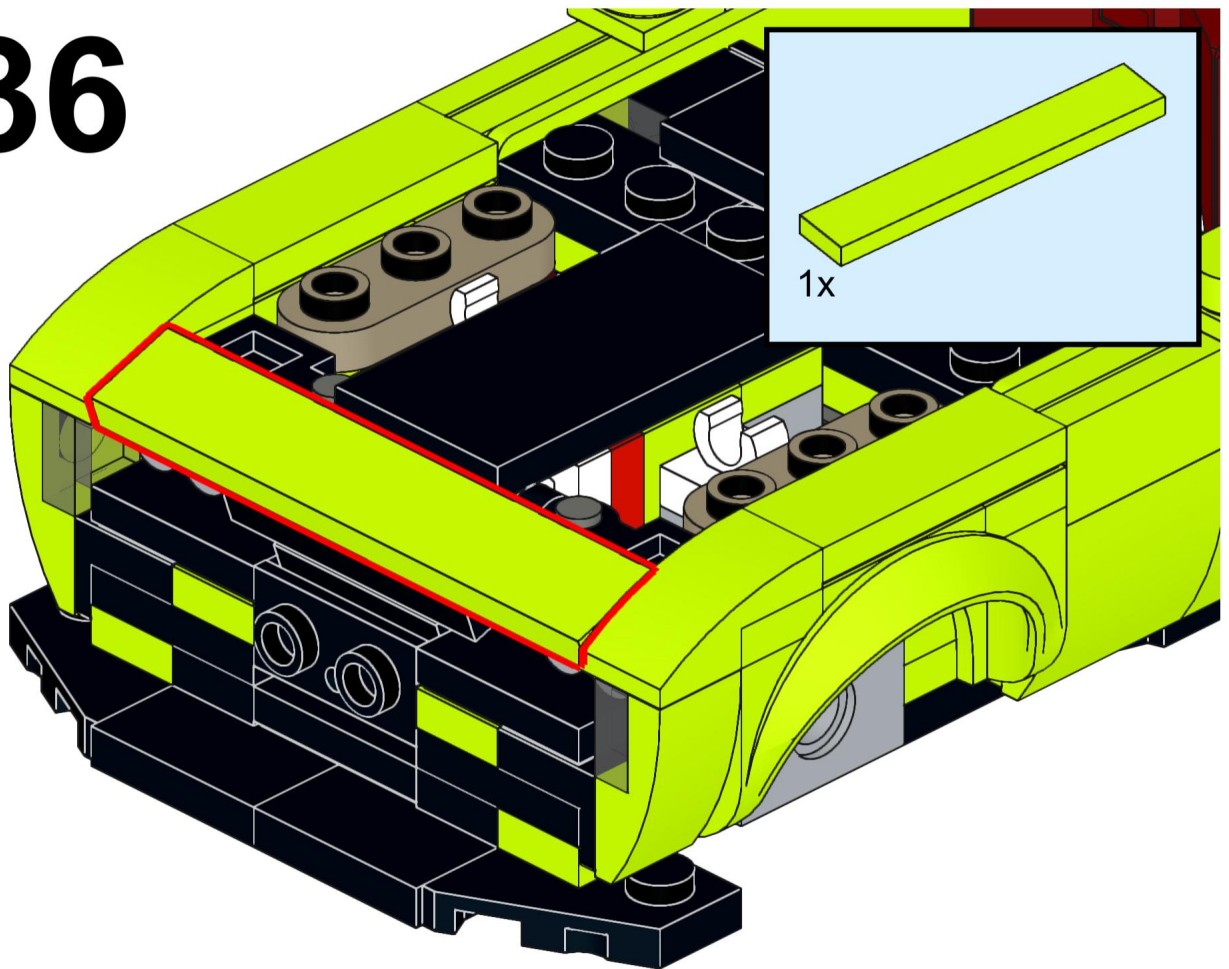
234



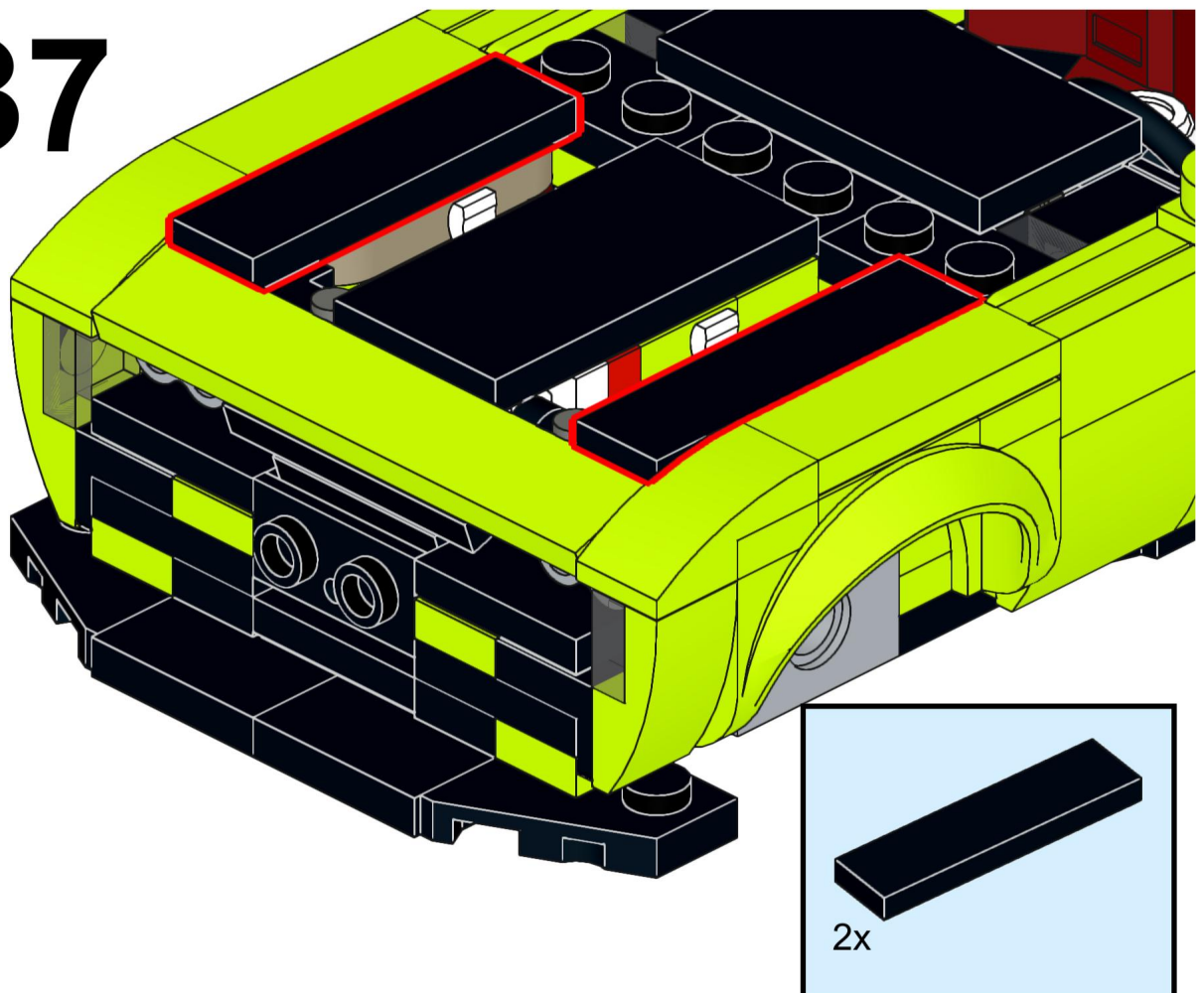
235



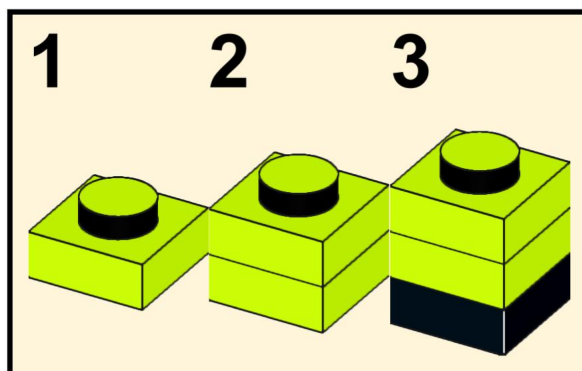
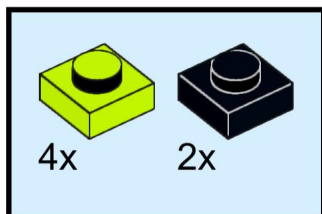
236



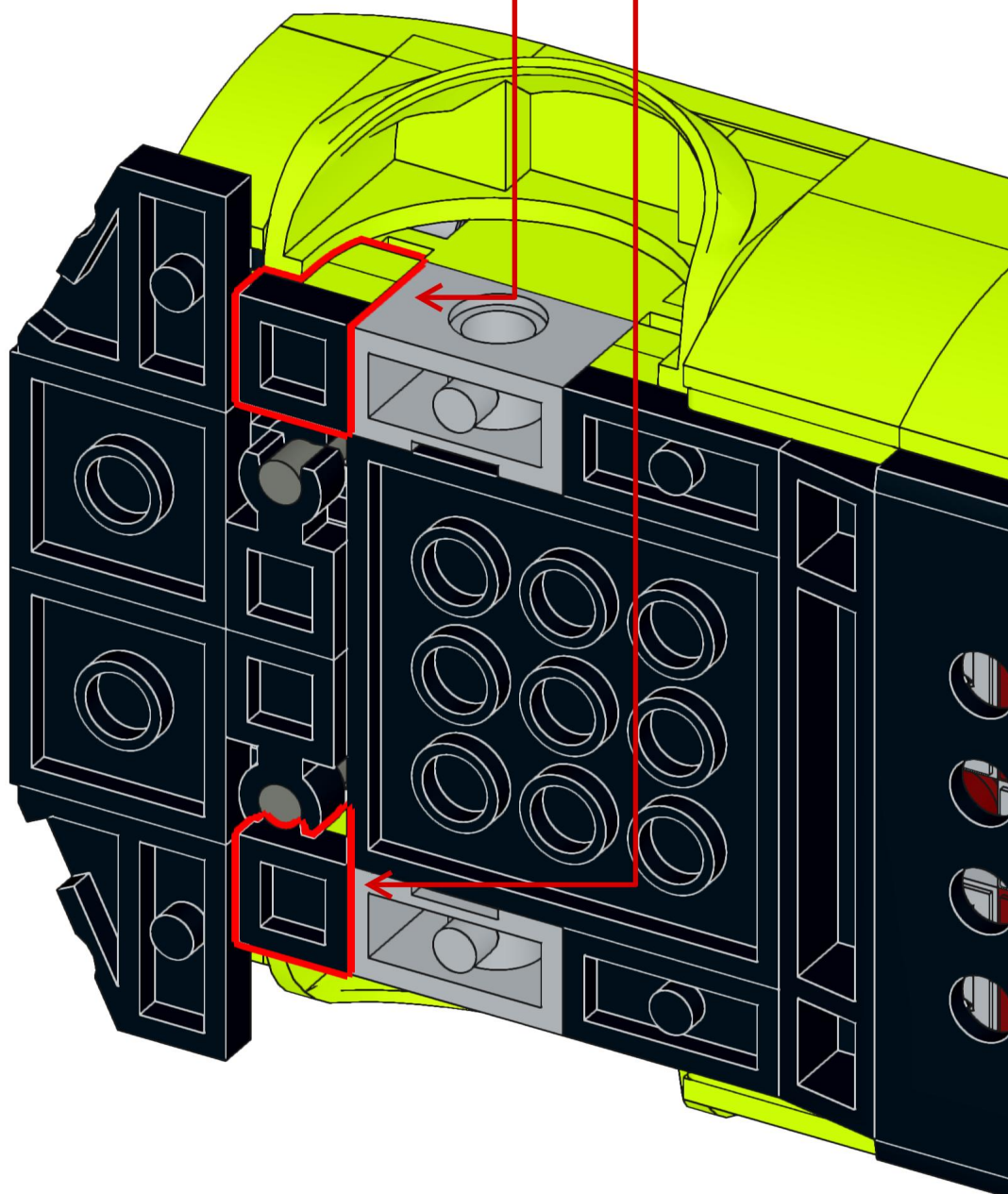
237



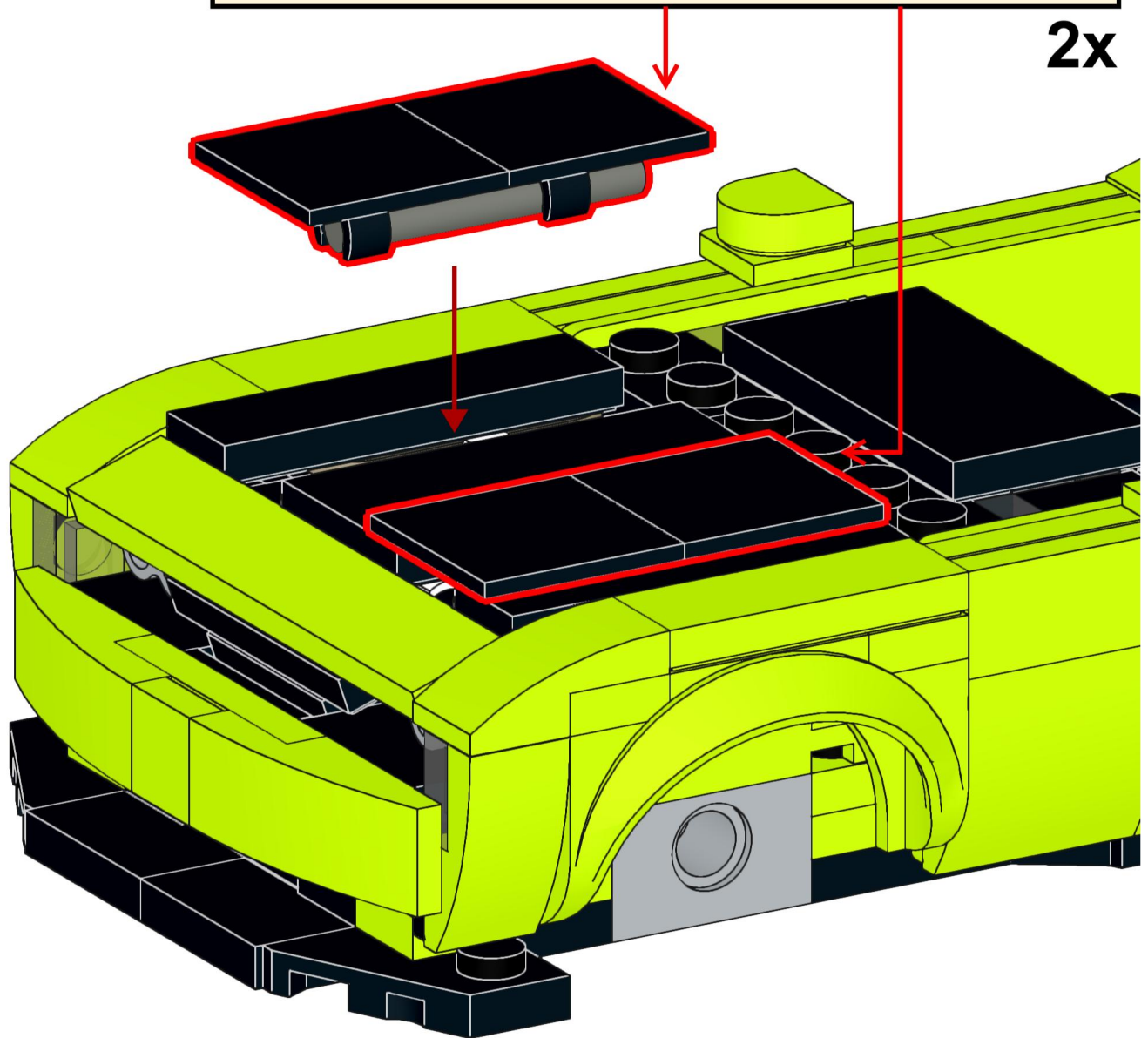
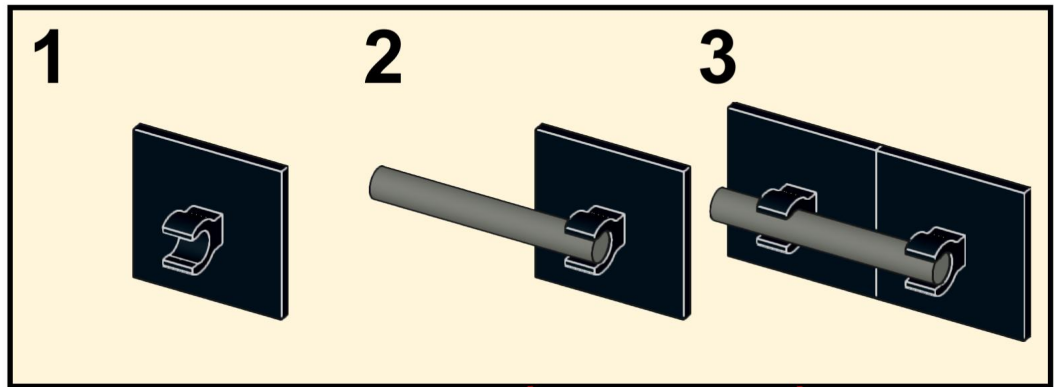
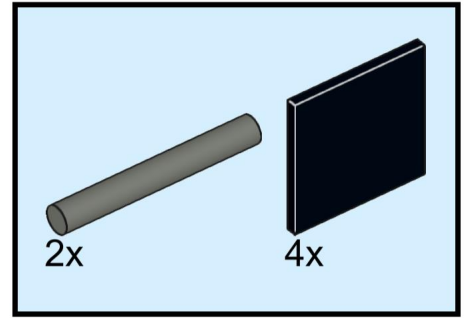
238



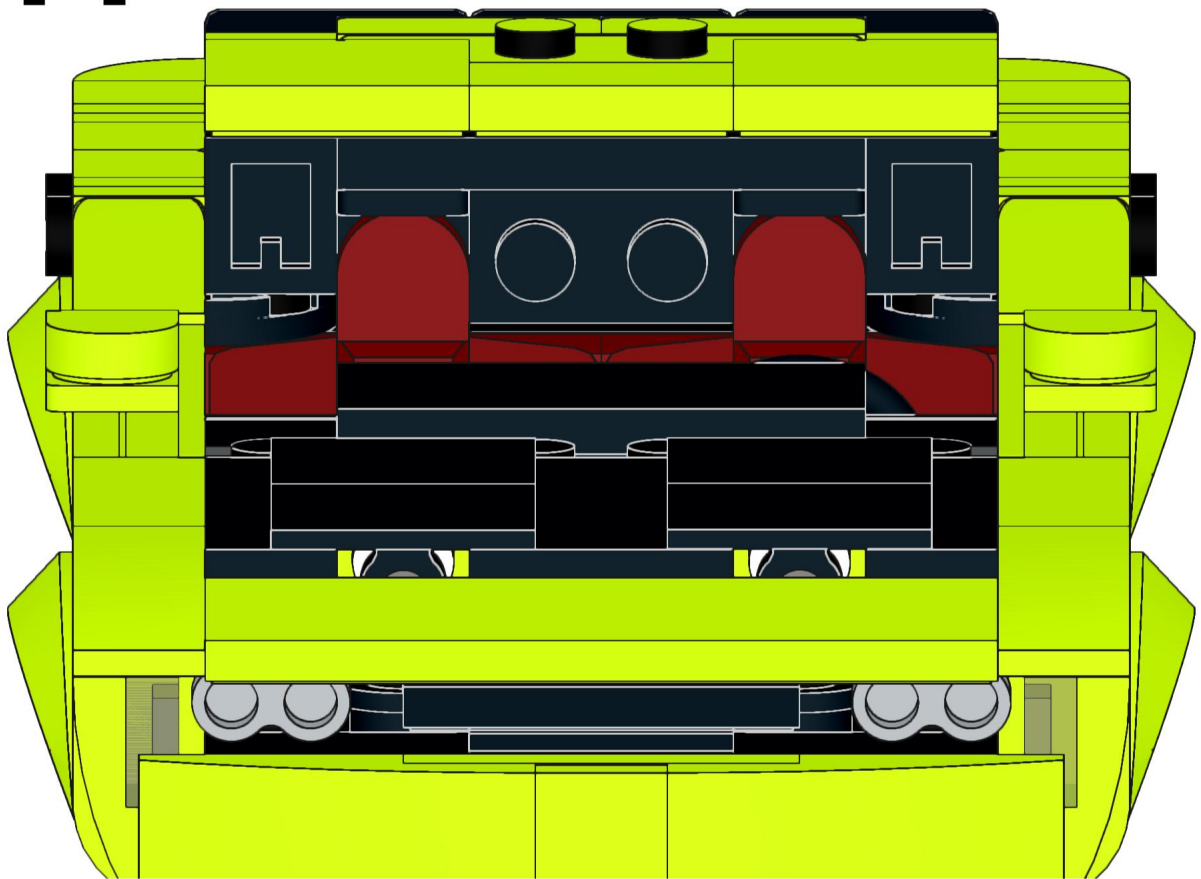
2x



240

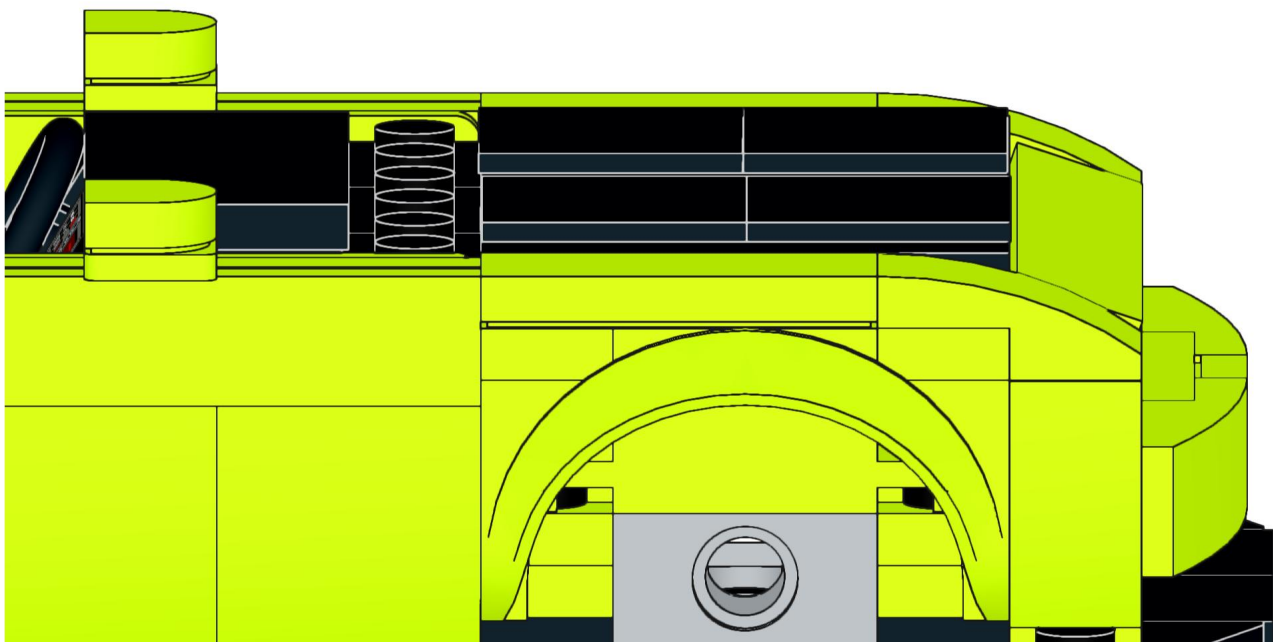


241

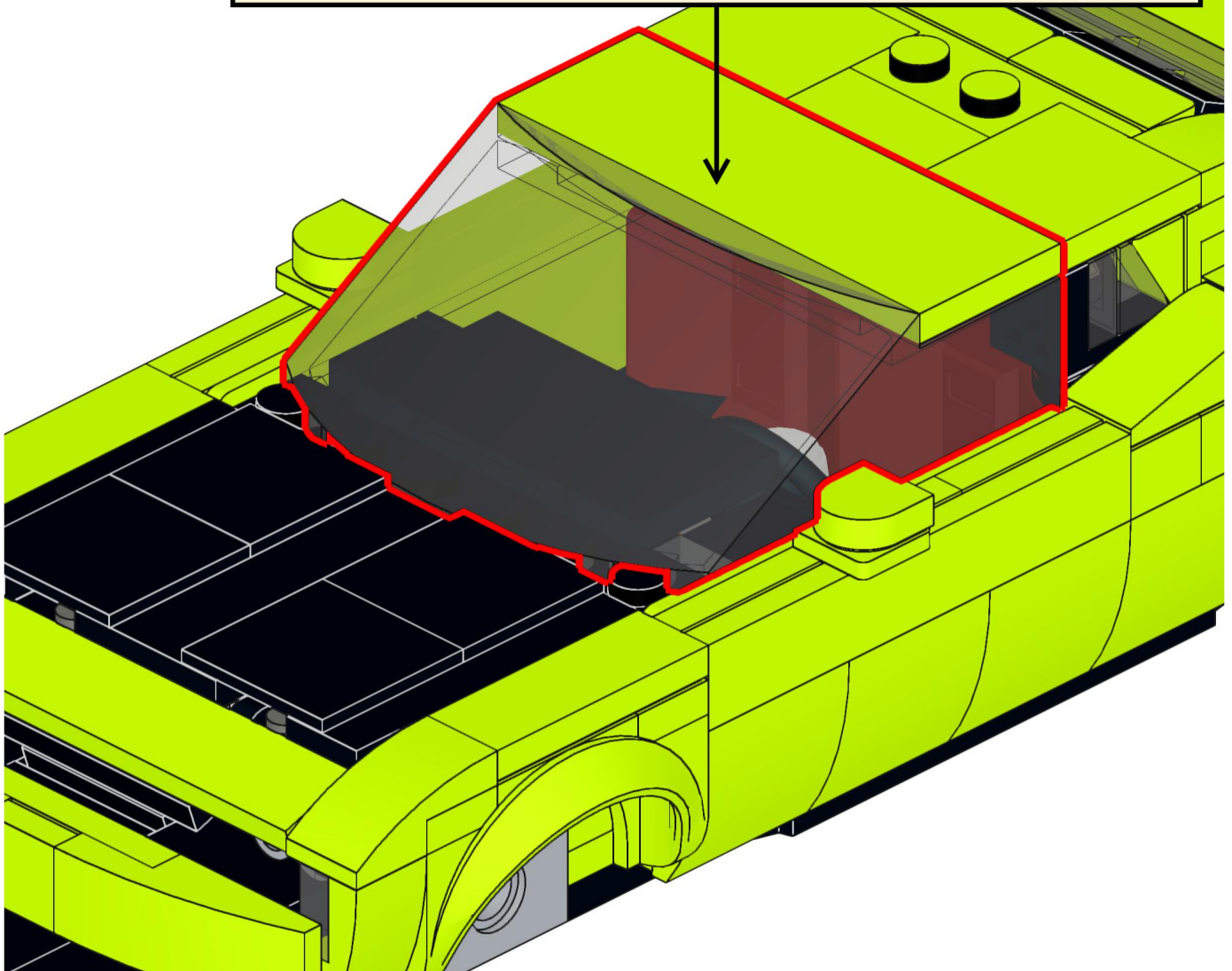
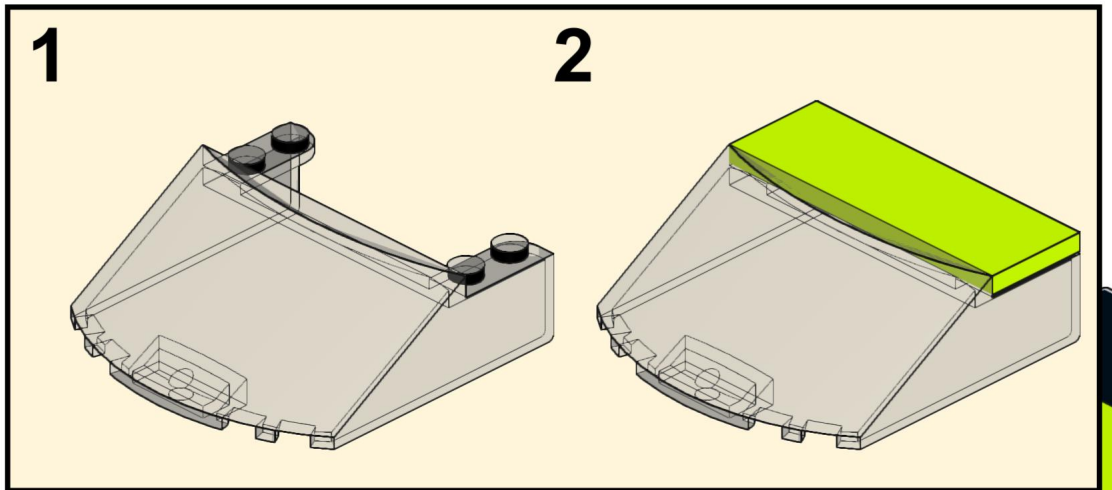
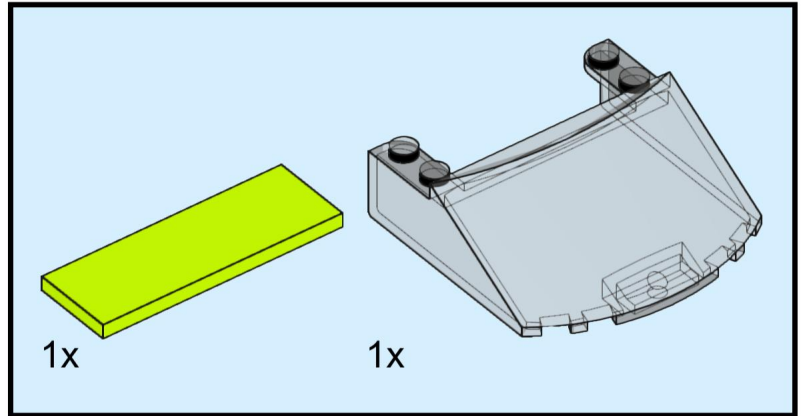


242

Position helpers for the hood intakes



243



244

